

PORTABLE, ENCASED AND PROTECTIVE TRANSFORMER

PFS



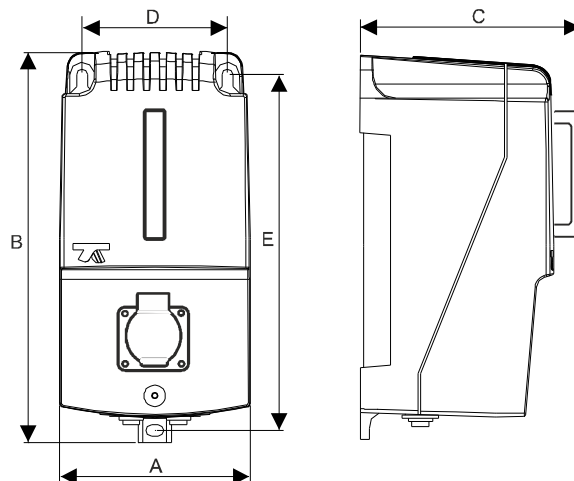
Encased protective transformers suited predominantly for those applications that require protection against electric shock and high IP grade. PFS is a portable version, fitted with a handle, power cord, and an output socket. The transformers are made with Class II insulation and protection grade IP34 or IP44, maximum ambient temperature 25°C, thermal class of insulation B (130°C). Manufactured in compliance with EN 61558-2-4 and EN 61558-2-6.



Rated power: 100 - 800 VA

Rated voltage PRI: 230 V 50/60 Hz

Rated voltage SEC: 12 - 230 V



| Type | Power [VA] | Dimensions [mm] | | | | | Mounting | Weight [kg] |
|---------|------------|-----------------|-----|-----|-----|-----|----------|-------------|
| | | A | B | C | D | E | | |
| PFS 100 | 100 | 90 | 175 | 125 | 71 | 160 | M4 | 2,00 |
| PFS 120 | 120 | 96 | 166 | 111 | 78 | 148 | M4 | 2,30 |
| PFS 160 | 160 | 105 | 200 | 140 | 80 | 165 | M5 | 3,10 |
| PFS 250 | 250 | 105 | 200 | 140 | 80 | 165 | M5 | 3,90 |
| PFS 630 | 630 | 146 | 272 | 178 | 113 | 255 | M5 | 9,80 |
| PFS 800 | 800 | 146 | 272 | 178 | 113 | 255 | M5 | 10,60 |

Because of the constant development of product construction and changes concerning technical requirements, Breve-Tufvassons Company reserves the right to change the parameters mentioned above.



X-ON Electronics

Largest Supplier of Electrical and Electronic Components

Click to view similar products for [Current Transformers](#) category:

Click to view products by [Breve Tufvassons](#) manufacturer:

Other Similar products are found below :

[MP3500](#) [BV UI 302 0156](#) [45029](#) [BV EI 302 2863](#) [BV EI 303 2809](#) [BV EI 303 3060](#) [BV EI 305 2309](#) [BV EI 306 3604](#) [BV EI 481 1295](#) [BV EI 481 1325](#) [BV UI 301 0133](#) [BV UI 302 0144](#) [BV UI 302 0161](#) [BV UI 304 0019](#) [BV UI 304 0129](#) [BV UI 304 0159](#) [BV UI 304 0173](#) [TI-EF16-2X4V-4W](#) [SPCT62/40150/5AVA3CL1](#) [SPCT62/30100/5AVA1CL1](#) [SPCT62/3075/5AVA1CL3](#) [SPCT62/40150/5AVA1.5CL1](#) [SPCT62/40200/5AVA2.5CL0.5](#) [SPCT62/40300/5AVA3CL0.5](#) [CTD-KIT](#) [44013](#) [44017](#) [44021](#) [44098](#) [44101](#) [44134](#) [44171](#) [44174](#) [44178](#) [44180](#) [44248](#) [44250](#) [44278](#) [44339](#) [44340](#) [44373](#) [44375](#) [44376](#) [44378](#) [44379](#) [44436](#) [44831](#) [B82801B0925A200](#) [PA3655NL](#) [PA3828NL](#)