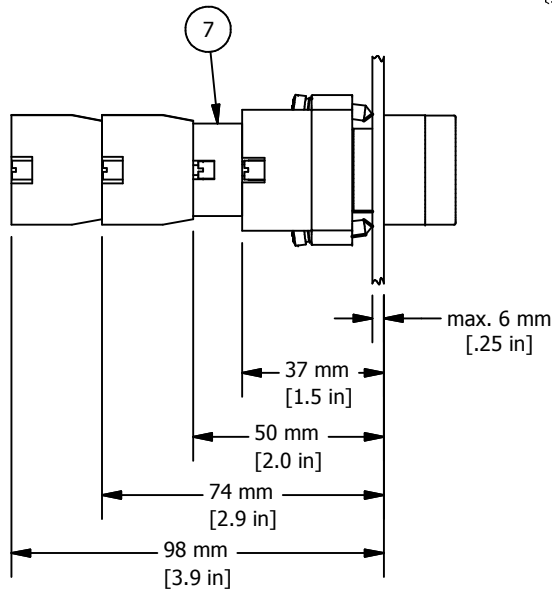
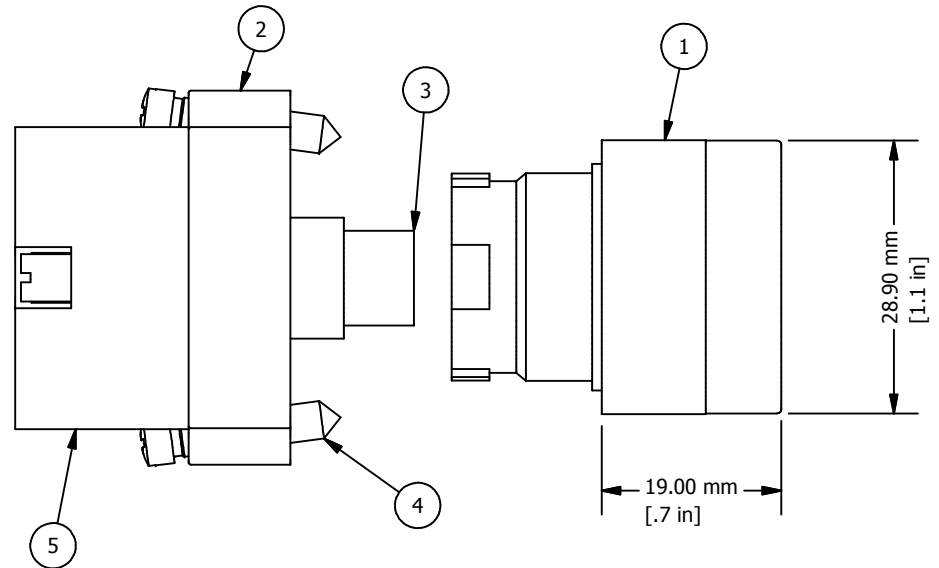
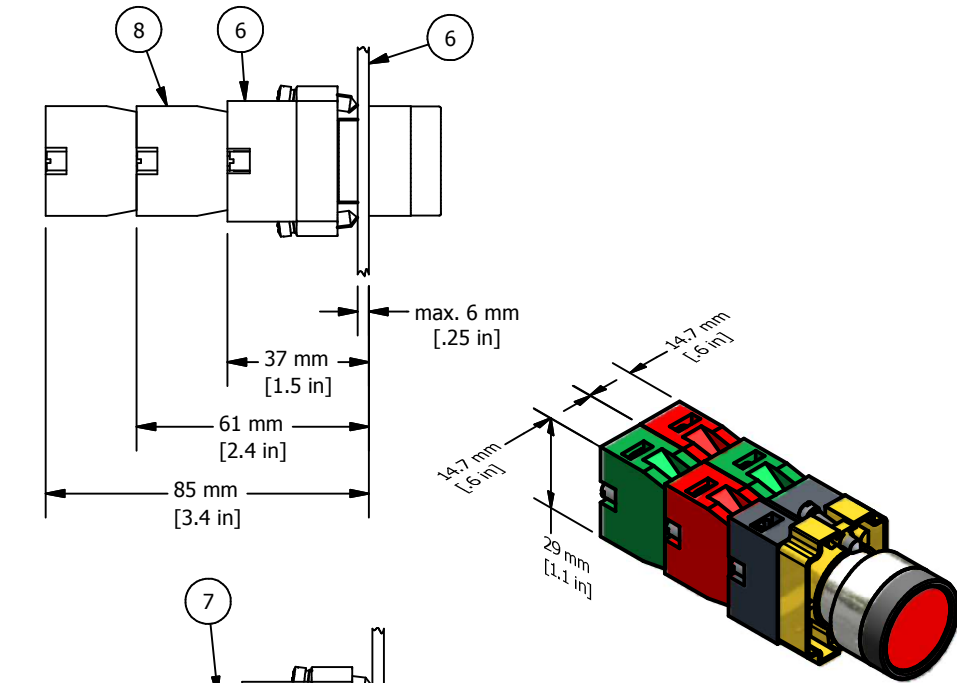


REVISION FOR DWG # 1PB-2ALFxLB-yyy

| REV | CH.NO. | DESCRIPTION | DATE | REVISED BY |
|-----|--------|-----------------|-----------|------------|
| - | - | ORIGINAL DESIGN | 11/2/2007 | PHILIPP E. |



Up to **four** switch contacts can be installed.

- * = Selector Switch is supplied with mounting bracket, bulb holder and LED (ITEM 1,2,3,4 and 5)
- ** = Switch Contacts must be ordered separately

| ITEM | DESCRIPTION | CAT. NO. | COLOR | MIN. QTY. | MAX. QTY. |
|-------------|--|---------------|-------------|-----------|-----------|
| 1* | LED Illuminated Metal Selector Switch (Flush, Momentary) | 2ALF1LB-yyy | White | 1 | 1 |
| | | 2ALF3LB-yyy | Green | 1 | 1 |
| | | 2ALF4LB-yyy | Red | 1 | 1 |
| | | 2ALF5LB-yyy | Amber | 1 | 1 |
| | | 2ALF6LB-yyy | Blue | 1 | 1 |
| | | 2ALF7LB-yyy | Clear | 1 | 1 |
| 2ALF8LB-yyy | Yellow | 1 | 1 | | |
| 2* | Mounting Bracket | 2BRK | - | 1 | 1 |
| 3* | LED Bulb | MCB9xyyy | - | 1 | 1 |
| 4* | Mounting Bracket Screws | incl. in 2BRK | - | 2 | 2 |
| 5* | Bulb Holder | 2LHB | - | 1 | 1 |
| 6 | Panel | - | - | - | - |
| 7 | Maintained Action mechanism | 2PPM | Black | 1 | 1 |
| 8** | Switch Contacts | S1 | Green | 1 | 4 |
| | | S2 | Red | 1 | 4 |
| | | S3 | Green/Black | 1 | 4 |
| | | S4 | Red/Black | 1 | 4 |

yyy = Voltage

| | | |
|------|---|------------|
| 012 | = | 12V AC/DC |
| 024 | = | 24V AC/DC |
| 048 | = | 48V AC/DC |
| 110 | = | 110V AC/DC |
| 230 | = | 230V AC |
| 230D | = | 230V DC |

For maintained action use Cat. No. **2PPM (ITEM 7)**

UNLESS OTHERWISE SPECIFIED:
 • ALL DIMENSIONS ARE IN MILLIMETERS
 • THIRD ANGLE PROJECTION



This Drawing is the property of
Altech Corp.

35 Royal Road
 Flemington, NJ 08822-6000
 (908) 806-9400
 Fax (908) 806-9490

METRIC

| TOLERANCE | | |
|-----------|---|---------|
| XX | = | ±1 mm |
| XX.X | = | ±0.5 mm |
| XX.XX | = | ±0.2 mm |
| ALL | = | - mm |

AND IS A CONFIDENTIAL DISCLOSURE WITHOUT CONSIDERATION OTHER THAN THE BORROWER'S AGREEMENT THAT IT SHALL NOT BE REPRODUCED, COPIED, LENT OR DISPOSED OF DIRECTLY OR INDIRECTLY NOR USED FOR ANY PURPOSE OTHER THAN THAT FOR WHICH IT IS SPECIFICALLY FURNISHED.

TITEL **22 mm LED Illuminated Metal Flush Momentary Operator**
2ALFxLB-yyy (x=color, yyy=voltage)

DRAWN BY:
 Philipp Ernstberger

11/2/2007

DRAWING NO.:
1PB-2ALFxLB-yyy

REV.:
 -

CHECKED BY:
 Laszlo Gyorgypal

11/2/2007

RELEASED BY:
 Laszlo Gyorgypal

11/2/2007

SCALE: -

SHEET: 1

OF: 1

X-ON Electronics

Largest Supplier of Electrical and Electronic Components

Click to view similar products for [Switch Actuators](#) category:

Click to view products by [Altech](#) manufacturer:

Other Similar products are found below :

[LW1B-M0](#) [61-1330.0](#) [61-2607.0/D](#) [680-4000-00](#) [704.411.018I](#) [704.412.0](#) [704.633.1](#) [704.730.1](#) [704.733.0](#) [79452124](#) [84-1221.7](#) [G6083](#)
[9PA24](#) [120-1867-000](#) [ADC-418G](#) [12MA7](#) [HW1M-L2222](#) [200-.704-00](#) [JS-10008](#) [JS-10083](#) [JS-10118](#) [JS-10133](#) [JS-116](#) [JS-150](#) [JS-552](#) [JS-555](#) [JS-68](#) [JS-6-B](#) [JS-91](#) [JS-94](#) [22-211.011](#) [9001KXSDC](#) [KRR22NW3XX03](#) [SAPT654133](#) [2PA3](#) [STKLBU](#) [STKLWH](#) [SW53AA2](#) [302561](#)
[3E-10.4](#) [3E-12.0](#) [468-10243-001](#) [51-030.002](#) [51-030.005](#) [JM-13](#) [JS-10120](#) [JS-138-B](#) [JS-143-B](#) [JS-49](#) [JS-551](#)