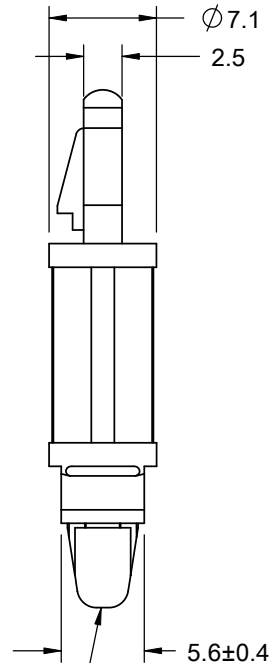
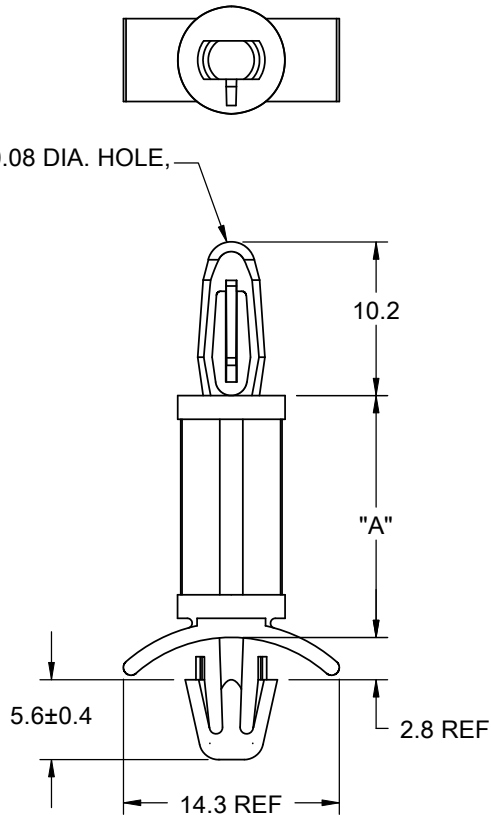


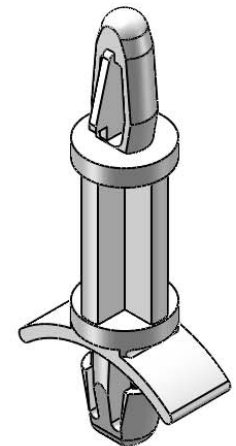
AVAILABLE BY SPECIAL ORDER ONLY

PART NO.	DIM. "A"±0.4
LCBS-6M-01	6
LCBS-8M-01	8
LCBS-10M-01	10
LCBS-12M-01	12
LCBS-14M-01	14
LCBS-16M-01	16

TO SNAP-LOCK IN A 4±0.08 DIA. HOLE, IN A 1.57 THICK BOARD



TO SNAP-LOCK IN A 4.75±0.08 DIA. HOLE, IN A 0.79-1.98 PANEL THICKNESS



NOTES:

- MATERIAL: NYLON 6/6 UL 94 V-2 (RMS-01).
MATERIAL: NYLON 6/6 UL 94 V-0 (RMS-19),
AVAILABLE BY SPECIAL ORDER. TO ORDER
REPLACE "-01" WITH "-19".
- COLOR: NATURAL.
BLUE AVAILABLE BY SPECIAL ORDER ONLY.

TITLE: LOCKING CIRCUIT BOARD SUPPORT (METRIC)			DWG IN mm		FINAL	
CREATED USING SOLIDWORKS			FILE #: LCBS-M	DWN: SK	APP: RT	
GENERAL TOLERANCE UNLESS NOTED ±0.25 ANG.±1°			SHEET: 1 OF 1	SHEET SIZE: A	DT: 11/16/06	CHKD: SJ
RE: RICHCO, INC.			RICHCO, INC.		ENG@RICHCO-INC.COM (773) 539-4060	
PART #			SEE TABLE		PRINT TYPE	
REV. DESCRIPTION			ENGR. DATE		EA	

E	SEE CO 200290 FOR CHANGES	SK	12/04/08
D	REDRAWN, SEE ECN #1208 FOR CHANGES	SK	11/29/06
-	SEE ENGINEERING FOR REV A-C	---	-----
REV.	DESCRIPTION	ENGR.	DATE

X-ON Electronics

Largest Supplier of Electrical and Electronic Components

Click to view similar products for [richco](#) manufacturer:

Other Similar products are found below :

[KLB450ART](#) [RBS-5-BK](#) [FMB-1](#) [DHURCS-3-01](#) [RRC-16-9-28-M2](#) [RRH-142-80-150](#) [DHURCS-4-01](#) [RRC-16-9-28-M1](#) [RT-310-190-222](#)
[RLCBSR-10-01](#) [OFST-1-L](#) [RFS1-15-7-A5](#) [RT-145-102-80](#) [RSH6-76100-50A](#) [RFP1-34-28-A5](#) [CAT-15-PP-BU](#) [CAT-32-PP](#) [RT-142-64-135](#)
[FGPT-92](#) [MFTH-2-01A-RT-M](#) [RT-290-190-77](#) [BMS-SAX300MM](#) [RRH-110-50-250](#) [SHR-32-6NB](#) [RCP-040-T](#) [LEDS2M-440-01](#) [SHR-C2](#)
[RKCF-08-A5](#) [CBSS-8-01](#) [RRH-120-85-150](#) [RFS1-15-15-A5](#) [RT-280-160-75](#) [MB-1-156](#) [RFS2-34-12-2-A5](#) [RT-175-95-127](#) [RT-290-190-75](#)
[RT-70-35-40](#) [SNGS-2](#) [SPGSG-2](#) [RT-100-70-50](#) [WSB-2-01A-RT](#) [SP3-4-01](#) [RT-100-70-70](#) [RRH-186-102-286](#) [VMCGN120-M3-L-K](#)
[OFHB3-4-19A-RT](#) [RRH-140-90-150](#) [RT-160-120-80](#) [RSFS-450](#) [SHR-32-PPB](#)