

# CR1225

3V Lithium Battery  
Swiss Made

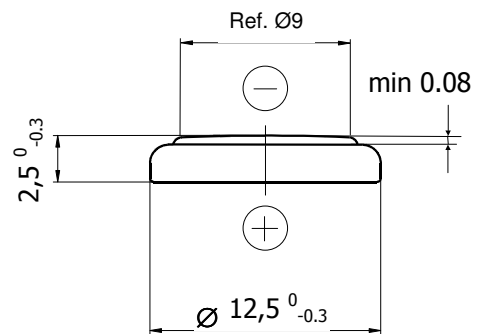
## Technical Data Sheet

### Specifications

Chemical System	Li / MnO <sub>2</sub>
Nominal Voltage	3 V
Rated Capacity	48 mAh
Standard Discharge Current	0.1 mA
Max. Cont. Discharge Current	1.0 mA
Average Weight	0.9 g
Operating Temperature*	-40 - +85 °C
Self Discharge at 23 °C	< 1% / year

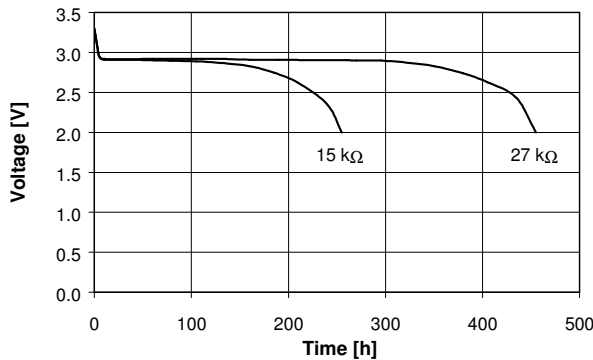
### Dimensions

(According to IEC 60086)

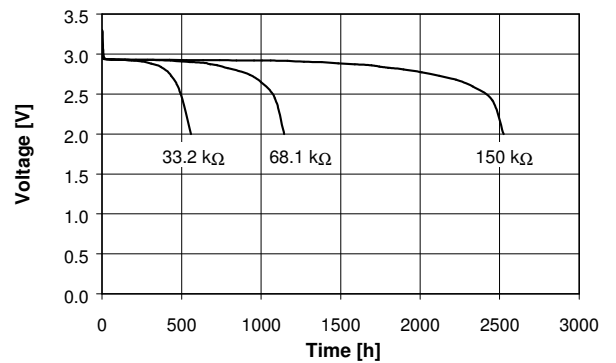


### Performance

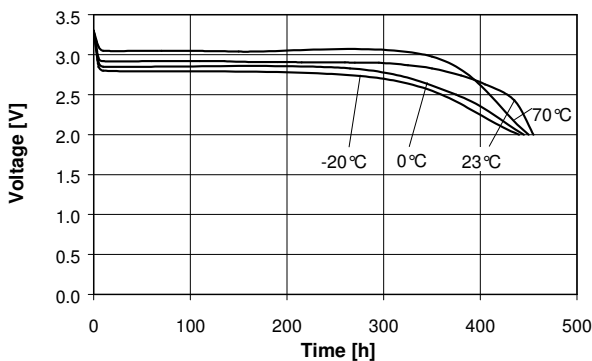
Discharge performance at 23 °C



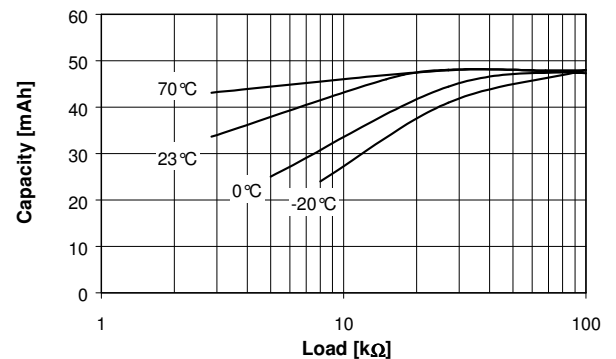
Discharge performance at 23 °C



Temperature performance Load 27kΩ



Cell capacity at various loads



\*In applications where the battery is exposed to temperatures above 70 °C, please contact Renata for consultancy.

Information and contents in this data sheet are for reference purpose only. They do not constitute any warranty or representation and are subject to change without notice. For most current information and further details, please contact your Renata representative.

Rev. 1225.06 / 12.06

## **X-ON Electronics**

Largest Supplier of Electrical and Electronic Components

*Click to view similar products for [Coin Cell Battery](#) category:*

Other Similar products are found below :

[SMTU 1632-1](#) [CR1225](#) [SMTM1632](#) [BSD02.V](#) [095995R](#) [SMTU2450N-LF](#) [CR1220 MFR.IB](#) [SMTU 2430-1-LF](#) [CR2025 MFR.IB](#) [SMTU 2477N-1-LF](#) [SMTU1632-C.TR](#) [SMTU2032-LF](#) [NL5077-LF](#) [HU2450N-LF](#) [HU 2450N-1-LF](#) [HU2430-LF](#) [SMTU2450N-LF BULK](#) [SMTU1632-LF.TR](#) [SMTU2430-LF.TR](#) [SMTU 2450N-1-LF](#) [HU357-LF](#) [NH5077-LF](#) [SMTU2450N-LF.TR](#) [SMTU357-LF](#) [SMTU 1225-1-LF](#)