

För icke direkt toleranssatta mått gäller toleransklass
General tolerances if not otherwise stated

NOM DIM MM		TOL CLASS		
From	To	A	B	C
(1)	6	±0.05	±0.1	±0.2
(6)	30	±0.1	±0.2	±0.5
(30)	100	±0.15	±0.3	±0.8
(100)	300	±0.2	±0.5	±1.2
(300)	1000	±0.3	±0.8	±2

Hål / Holes H13

Skarpa kanter brutna där ej annat anges.
No sharp edges unless otherwise specified.

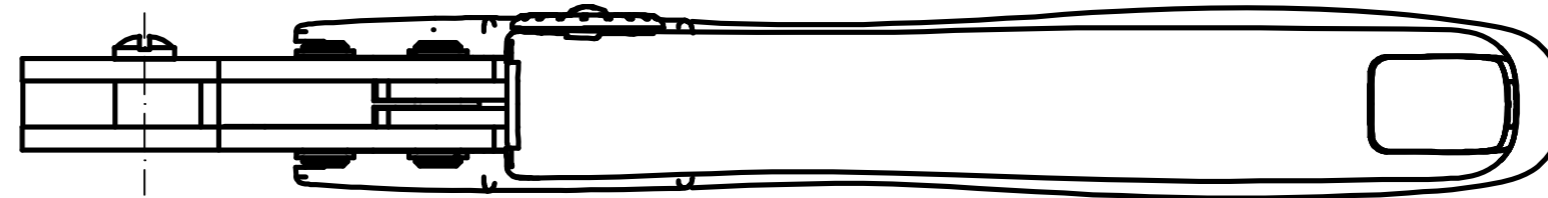
LASERMÄRKNING/LASER MARKING:

TEXTFONT: GEN-ISO

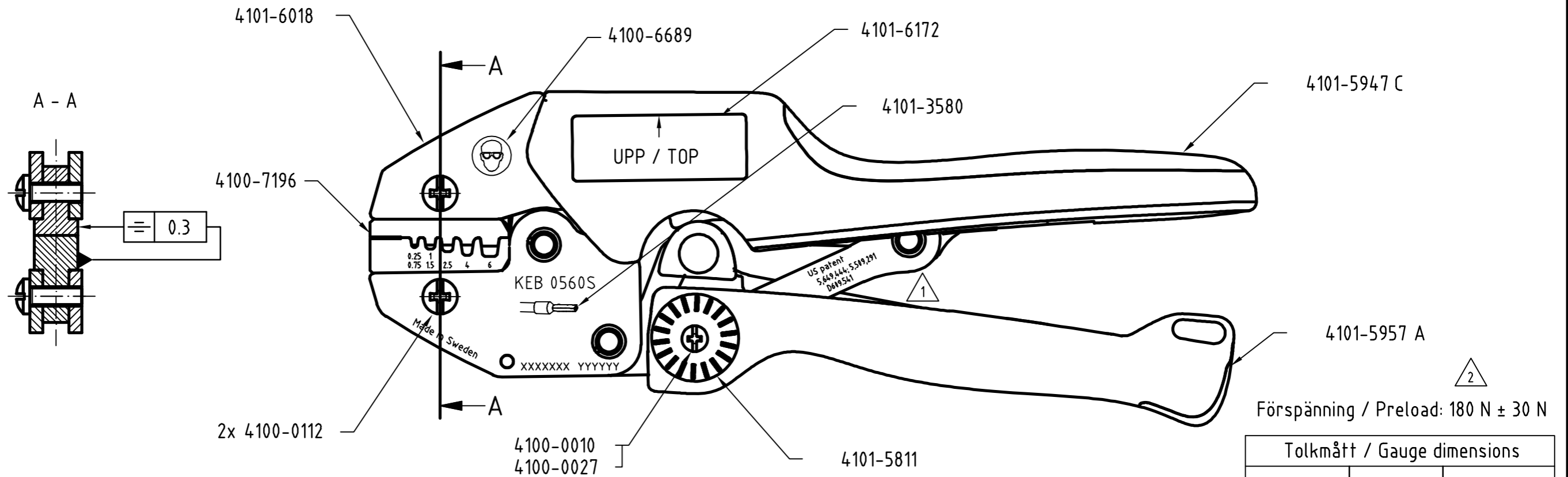
Datumkod / Date code "YYYYYY"

Serienummer / Serial number "XXXXXXX"

Rev	Change order	Change: A = Added W = Was D = Deleted C = Changed	Date	Sign
1	1046196000	D 4100-1298A ÄU1046348000 D609.541 W Pat. pend.	100330	SE
2	1052849000	180N W 130N	110824	SE



Övriga generella toleranser enligt ritning 4100-4644.
Additional general tolerances in accordance with drawing 4100-4644.



Förspänning / Preload: 180 N ± 30 N

Tolkmått / Gauge dimensions		
urtag / nest	gåtolk / go gauge	stopptolk / no go gauge
0.25 - 0.75	∅0.45	∅0.65
1.0 - 1.5	∅0.75	∅0.95
2.5	∅1.40	∅1.60
4.0	∅2.25	∅2.45
6.0	∅2.30	∅2.50

4101-2610
4101-5828
4101-6507 S - placering position A
4101-6301
TILLTRYCK PÅ KORT (4101-6301) ENLIGT OMT DOKUMENT NR.:1044643000
PRINTING ON CARD (4101-6301) ACCORDING TO OMT DOCUMENT NO.:1044643000

Packas enligt förpackningsritning 4101-2741
Packed according to drawing 4101-2741

Den här ritning är Pressmaster AB:s egendom. Skyddad av gällande lag.
This drawing is the property of Pressmaster AB. Protected in accordance with prevailing law.

Material		Behandling/Treatment		Status	
Konstr./Design NIJO		Ritad/Drawn MANO		Frisläppt	
Datum/Date 2011-08-24		Skala/Scale 1:1		Kontr./Checked IP	
pressmaster®		Benämning/Denomination KRIMPTÅNG KEB 0560S CRIMPING TOOL		Godk./Approved NE	
ISO 9001 REG NR FM13647		Vikt/Weight, gram 43003696		Art grp 012	
		Ritn nr./Drawing no 43003696		REV 002	

X-ON Electronics

Largest Supplier of Electrical and Electronic Components

Click to view similar products for [pressmaster](#) manufacturer:

Other Similar products are found below :

[PMP4080](#) [4300-3127](#) [4300-3138](#) [4300-3164/AAA](#) [4300-3687](#) [PMP4080D-RJ11](#) [4300-0313](#) [4300-1013](#) [4300-3258/AAA](#) [4300-0099](#) [4300-3047](#) [4300-3140](#) [4320-0013](#) [4300-3836](#) [4300-3706](#) [4300-4006 RIGIDUS](#) [4300-3128](#) [4300-4165](#) [4300-3151](#) [4300-3425](#) [4300-3692](#) [4320-0017](#) [4300-3144](#) [4300-3136](#) [4300-3147](#) [4300-3146](#) [RIGIDUS LOCATOR \(PRESSMASTER STANDARD\)](#) [4300-4662](#) [4300-3149](#) [4300-3150](#) [4300-4661](#) [4300-4889](#) [4300-3428](#) [4320-0613](#) [4320-0617](#) [4320-0669](#) [4320-0618](#) [KEB1025](#) [4320-1016](#) [4320-0614](#) [4320-0622](#) [4320-0615](#) [4320-0623](#) [4320-0612](#)