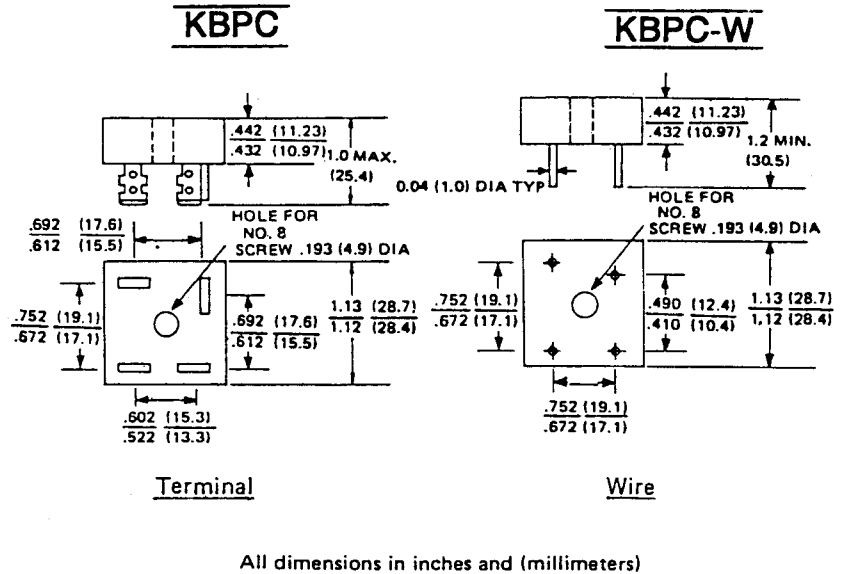


VOLTAGE RANGE
 50 to 1000 Volts
CURRENT
 35 Amperes

FEATURES

- Rating to 1000V PRV
- 400 amperes surge capability
- High efficiency
- Electrically isolated metal case for maximum heat dissipation
- Weight: 1.1 ounce 31.6 grams (Terminal)
 0.95 ounce 28.5 grams (Wire)
- Mounting: thru hole for # 8 screw



MAXIMUM RATINGS AND ELECTRICAL CHARACTERISTICS

Ratings at 25° C ambient temperature unless otherwise specified.
 Single phase, half wave, 60Hz, resistive or inductive load,
 For capacitive load, derate current by 20%.

| | | KBPC | KBPC | KBPC | KBPC | KBPC | KBPC | KBPC | UNIT |
|--|-----------------|--------------|------|------|------|------|------|------|---------------|
| | | 35005 | 3501 | 3502 | 3504 | 3506 | 3508 | 3510 | |
| Maximum Recurrent Peak Reverse Voltage | V_{RRM} | 50 | 100 | 200 | 400 | 600 | 800 | 1000 | V |
| Maximum RMS Input Voltage | V_{RMS} | 35 | 70 | 140 | 280 | 420 | 560 | 700 | V |
| Maximum DC Blocking Voltage | V_{DC} | 50 | 100 | 200 | 400 | 600 | 800 | 1000 | V |
| Maximum Average Forward Output Current @ $T_c = 55^\circ C$ | $I_{(AV)}$ | 35 | | | | | | | A |
| Peak Forward Surge Current, 8.3 ms Single Half Sine-wave superimposed on Rated Load (JEDEC Method) | I_{FSM} | 400 | | | | | | | A |
| Maximum Forward Voltage per Bridge Element at 17.5A, DC | V_F | 1.2 | | | | | | | V |
| Maximum DC Reverse Current at Rated DC Blocking Voltage per Bridge Element @ $T_A = 25^\circ C$ @ $T_A = 100^\circ C$ | I_R | 10 1 | | | | | | | μA mA |
| $I^2 t$ Rating for fusing ($t < 8.3ms$) | $I^2 t$ | 664 | | | | | | | $A^2 S$ |
| Typical Thermal Resistance (Note. 2) | $R_{\theta JA}$ | 2.5 | | | | | | | $^\circ C/W$ |
| Operating Temperature Range | T_J | -55 to + 125 | | | | | | | $^\circ C$ |
| Storage Temperature Range | T_{STG} | -55 to + 150 | | | | | | | $^\circ C$ |

NOTE:

2. Mounted on a 11.8 in² X 0.06 in thick (300mm² X 1.5mm thick) Copper plate.

X-ON Electronics

Largest Supplier of Electrical and Electronic Components

Click to view similar products for [solid state manufacturer](#):

Other Similar products are found below :

[151RA120](#) [1N3008B](#) [MJ2955](#) [1N2976RB](#) [2N6165](#) [1N3317B](#) [P0900EA](#) [1N4056R](#) [1N5302](#) [1N3327B](#) [2N2920](#) [2N2920A](#) [1N3350RB](#)
[1N4722](#) [2N6433](#) [1N2978B](#) [MJ11012](#) [1N4056](#) [1N3346B](#) [1N1184RA](#) [RCA423](#) [1N3313B](#) [1N3015B](#) [2N3810](#) [1N2970B](#) [1N1183A](#) [1N3000B](#)
[50RIA80](#) [2N4857A](#) [1N2982RB](#) [50RIA40](#) [2N4856A](#) [MJ10000](#) [1N1185A](#) [2N4990](#) [1N2971B](#) [PMD16K80](#) [1N2989B](#) [70HFR40](#) [70HFR60](#)
[PMD17K100](#) [1N1199A](#) [KBPC3510W](#) [1N3315B](#) [1N3309B](#) [2N4858A](#) [KBPC5010](#) [3N201](#) [1N3913](#) [PMD16K100](#)