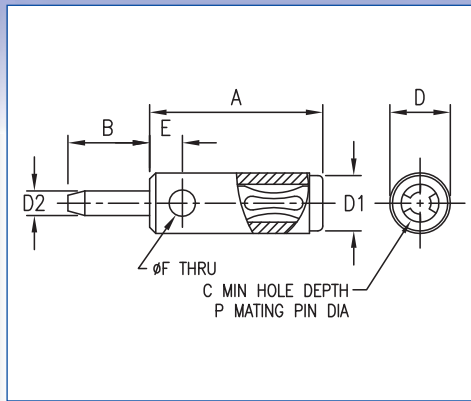


SINGLE POLE SOCKETS - STACKABLE

Dimensions in inches (mm)



How to order code

450 - XXXX - 01 - 03 - XX

Basic Part No. | Insulator Colour | Socket Finish

Material Code Table		
Component	Material	RoHS
Body	Brass	✓
Spring	Beryllium Copper (Heat Treated)	✓
Insulation	Polyolefin Plastic	✓

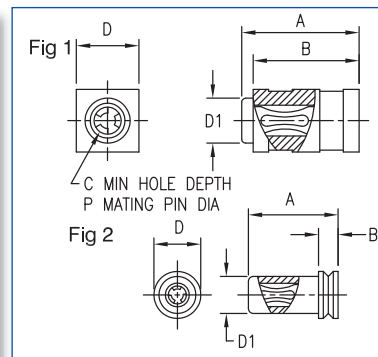
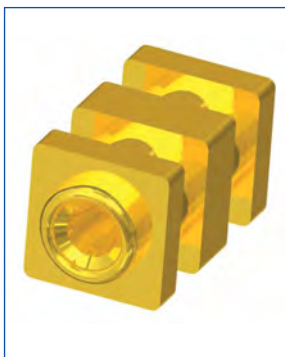
Finish Code Table			
Dash No.	Body Finish	Spring Finish	RoHS
-03	Gold over Nickel	Gold over Nickel	✓

Insulation Colour Code Table	
Dash No.	Colour
-00	None
-10	Black

Basic Part No.	A	B	P	C	D	D1	D2	E	F
450-3327 -01	.235 (5.97)	.125 (3.18)	.040 (1.02)	.190 (4.83)	.094 (2.39)	.090 (2.29)	.025 (0.64)	-	-
Also available with black polyolefin sleeve as 450-3289-01-03-10									
450-3278 -01	.425 (10.80)	.188 (4.78)	.080 (2.03)	.325 (8.26)	.156 (3.96)	.142 (3.61)	.040 (1.02)	-	-
Also available with black polyolefin sleeve as 450-3279-01-03-10									
450-3078 -01	.305 (7.75)	.125 (3.18)	.025 (0.64)	.144 (3.66)	.094 (2.39)	.074 (1.88)	.025 (0.64)	.053 (1.35)	.043 (1.09)
Also available with black polyolefin sleeve as 450-3390-01-03-10									
450-3302 -01	.323 (8.20)	.188 (4.78)	.040 (1.02)	.190 (4.83)	.094 (2.39)	.090 (2.29)	.040 (1.02)	.053 (1.35)	.043 (1.09)
Also available with black polyolefin sleeve as 450-3301-01-03-10									

SINGLE POLE SOCKETS - SURFACE MOUNT

Dimensions in inches (mm)



How to order code

450 - XXXX - 01 - XX - 00

Basic Part No. | Socket Finish

Material Code Table		
Component	Material	RoHS
Body	Brass	✓
Spring	Beryllium Copper (Heat Treated)	✓

Finish Code Table			
Dash No.	Body Finish	Spring Finish	RoHS
-03	Gold over Nickel	Gold over Nickel	✓
-06	Electro-Tin	Gold over Nickel	✓

Fig.	Basic Part No.	A	B	D	D1	C	P
1	450-8340 -01	.235 (5.97)	.212 (5.38)	.125 (3.18)	.090 (2.29)	.190 (4.83)	.040 (1.02)
2	450-8325 -01	.180 (4.57)	.040 (1.02)	.094 (2.39)	.074 (1.88)	.141 (3.58)	.025 (0.64)

X-ON Electronics

Largest Supplier of Electrical and Electronic Components

Click to view similar products for [wearnes cambion manufacturer](#):

Other Similar products are found below :

[570-1990-01-01-00](#) [450-3888-01-04-00](#) [450-3704-01-06-00](#) [570-1503-01-05-19](#) [570-1504-01-05-19](#) [570-1994-02-01-00](#) [460-3299-03-03-00](#)
[160-2085-02-01-00](#) [570-1511-01-01-19](#) [460-2970-03-04-00](#) [570-3648-02-01-00](#) [450-8340-01-06-00](#) [570-2045-01-01-00](#) [450-3422-01-06-00](#)
[572-4826-01-05-16](#) [461-2872-01-03-12](#) [450-8325-01-06-00](#) [450-3367-01-04-00](#) [570-2641-01-01-19](#) [571-4182-03-01-19](#) [461-2871-01-03-12](#)
[572-4810-01-05-16](#) [160-2034-02-01-00](#) [160-2027-02-01-00](#) [571-4015-01-01-19](#) [160-1512-02-01-00](#) [460-8250-01-04-00](#) [160-1797-02-01-00](#)
[160-1245-02-01-00](#) [460-2970-02-03-00](#) [450-4352-01-03-10](#) [140-2089-02-01-00](#) [160-1724-02-01-00](#) [572-4814-01-05-16](#) [160-1026-02-01-00](#)
[460-2970-02-04-00](#) [160-3653-02-01-00](#) [160-1558-02-01-00](#) [140-1785-02-01-00](#) [450-3326-01-03-00](#)