

QUICK CONNECT `MAINS` CONNECTOR

The *ULTEMate* electrical `Mains` connection solution for harsh environments.

Being constructed from Ultem®, a high temperature and corrosion resistant composite material, makes this the '*ULTEMate*' electrical connection solution.

The Quick Connect 3 way `Mains` connector is designed to meet BS EN 60320-2-2, a specification covering the use of `Interconnection Couplers for Household and similar equipment.`

It is also chemical resistant and environmentally sealed to IP68.

It is ideal for the most rigorous `Mains` applications.

FEATURES

- 240V AC 13Amp rated
- Early mate / late break leading Earth contact
- Quick latch mechanism
- Universal mounting
- Choice of wire seal, gland nut & over moulding
- Standard sealing O-ring
- Constructed from Ultem®, a high temperature resistant composite material
- Meets UL94 Class V-0 flammability requirements
- Sealed against dust and moisture to IP68

BENEFITS

- Same size contact in each position
- Designed to BS EN 60320-2-2
- Positive location
- Flexible panel mounting of both halves
- Variety of options for maximum design-in flexibility
- Cost effective
- Can be washed, sterilised and autoclaved without performance degradation
- Withstands heat, dust and moisture



GENERAL SPECIFICATION

Crimp contacts, insertion / extraction tools, dust caps and back fittings

Materials

Shell / Insulators: Temperature and corrosion resistant composite, Ultem®
Contacts: Copper Alloy / Gold Plated for 0.5 - 1.0mm² wire

Back Fitting Options:

Cable Compression Seal and/or Wire Seal
Overmould
Panel and Flange mount
Can be used with Conduit, Heat Shrink Tube/Boots (see separate Back Fittings data sheet for details)

Contact Rating

Current Rating: 13 Amps
Working Voltage: 240Vac
Insulation resistance: 1000 MΩ

Temperature Rating [connector]

-55°C to 150°C (The upper limit is the maximum internal Hot spot temperature resulting from the combination of ambient temperature and heating due to current)

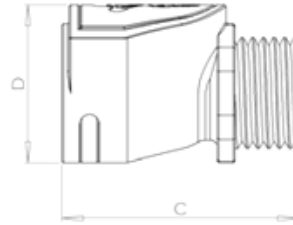
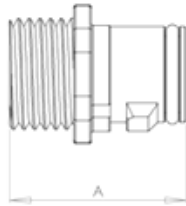


DEUTSCH

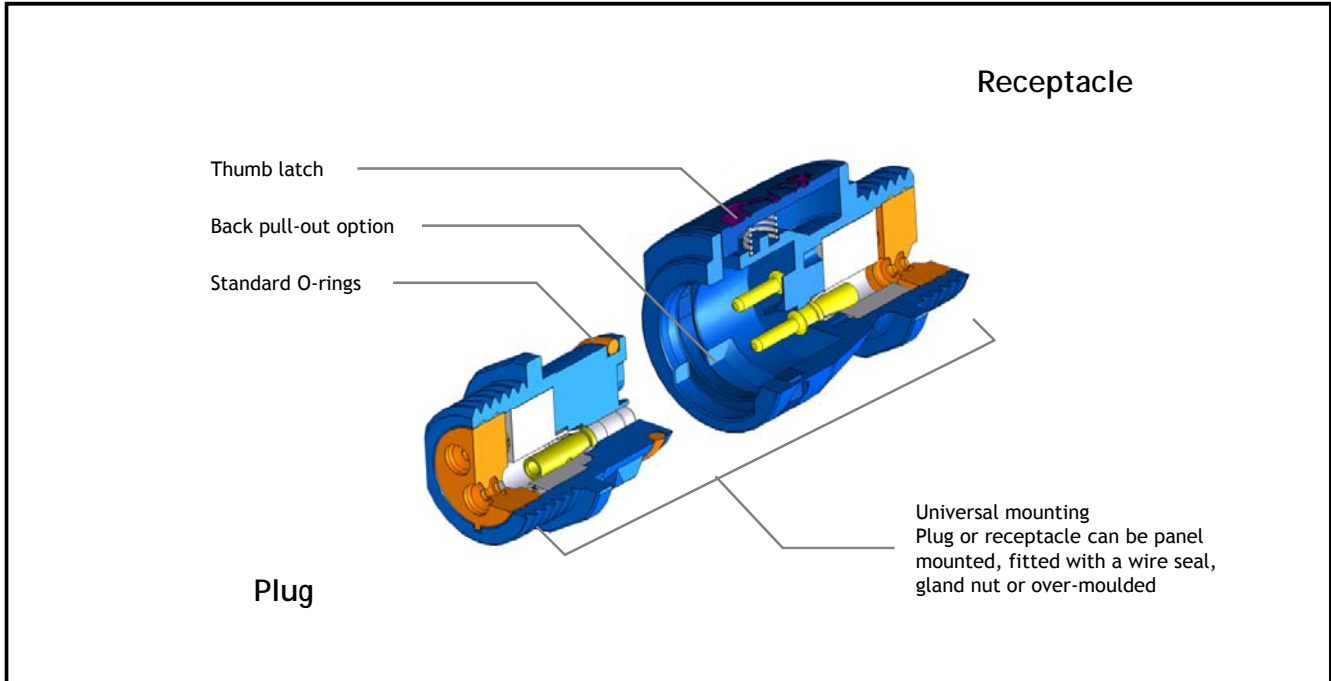
Dimensions (mm)

	A	B	C	D
QC26/24-1603X	25	16	33	22.5

Envelope dimensions are for reference only.
Contact Deutsch UK if more detail is required.



Construction



ORDERING INFORMATION

Description	Part No.
inline plug 3 way	QC26-1603X
inline receptacle 3 way	QC24-1603X
3 way wire seal	429621-03
Solid contacts Size 16 pins	429913-31
Solid contacts Size #16 sockets	429915

A step ahead in technology

Castleham Industrial Estate
2 Stanier Road, St Leonards on Sea
East Sussex TN38 9RP
England

Telephone: +44 (0) 1424 852722

Fax: +44 (0) 1424 855979

Email: industrialuk@deutsch.net

Website: www.deutsch.net

Sealing Caps

Description	Part No.
Rubber pro-cap for plug only	QC28
Ultem Plug pro-cap with lanyard	QC38
Ultem Receptacle pro-cap with lanyard	QC39

Tools

Description	Part No.
Contact insertion / extraction tool	6757-201-1601
Non Adjustable hand crimp tool 16AWG	AMSC16/A/1



DEUTSCH

X-ON Electronics

Largest Supplier of Electrical and Electronic Components

Click to view similar products for te connectivity manufacturer:

Other Similar products are found below :

[570416-000](#) [CLTEQ-M81CE-SSRELAY-4-20V](#) [D38999/24FJ4AN](#) [358838-000](#) [4-1195131-0](#) [650069-000](#) [SMD100-2](#) [CB-1022B-78](#)
[RM707012](#) [RP410012](#) [MMS42](#) [1-640426-8](#) [2EDL4CM](#) [DTS20W19-11PD-3028-LC](#) [RM202615](#) [NC6-P104-06](#) [MSPS103B](#) [DTS26F21-41AE](#) [DTS26F21-41PE-LC](#) [DTS26F21-11SE-3028-LC](#) [1932144-1](#) [293545-4](#) [LVR125S](#) [MS27466T25F4PB](#) [CKB-38-78010](#)
[1206SFF150F/63-2](#) [D38999/20JB35HA](#) [D38999/24WJ20PA](#) [1754138-1](#) [TE1500A2R2J](#) [DTS24F25-29PC-3028-LC](#) [D38999/24WG11HA](#)
[D38999/24WG11HN](#) [MS27467T21F11H](#) [DJT16E21-11HA](#) [1206SFH150F/24-2](#) [DTS24F19-11SC-3028-LC](#) [DTS24F21-41HN-LC](#)
[DTS24F21-41AN](#) [DTS24F21-41PN-LC](#) [MS27467T21F35J](#) [MS27467T21F11J](#) [MS27467T21F16H-LC](#) [MS27467T21F35H](#)
[MS27467T21F41H-LC](#) [DJT16E21-11PA-LC](#) [DJT16E21-11HA-LC](#) [DJT16E21-11AA](#) [MS27467T21B11JA](#) [DJT16E21-11JA](#)