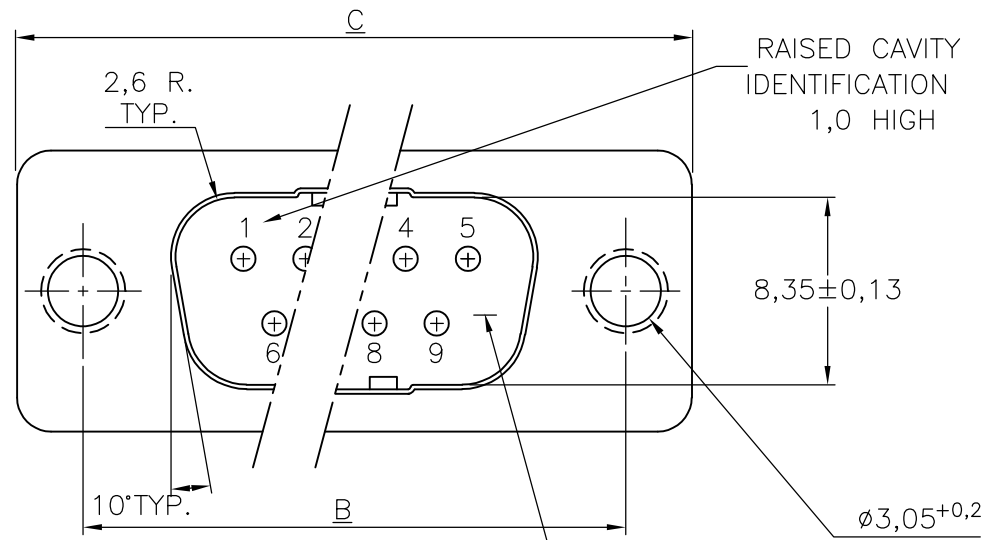


THIS DRAWING IS UNPUBLISHED. RELEASED FOR PUBLICATION
 © COPYRIGHT - By - ALL RIGHTS RESERVED.

LOC	DIST	REVISIONS			
P	LTR	DESCRIPTION	DATE	DWN	APVD
H	-	M2	REVISED PER ECO-11-005294	05APR11	RK HMR



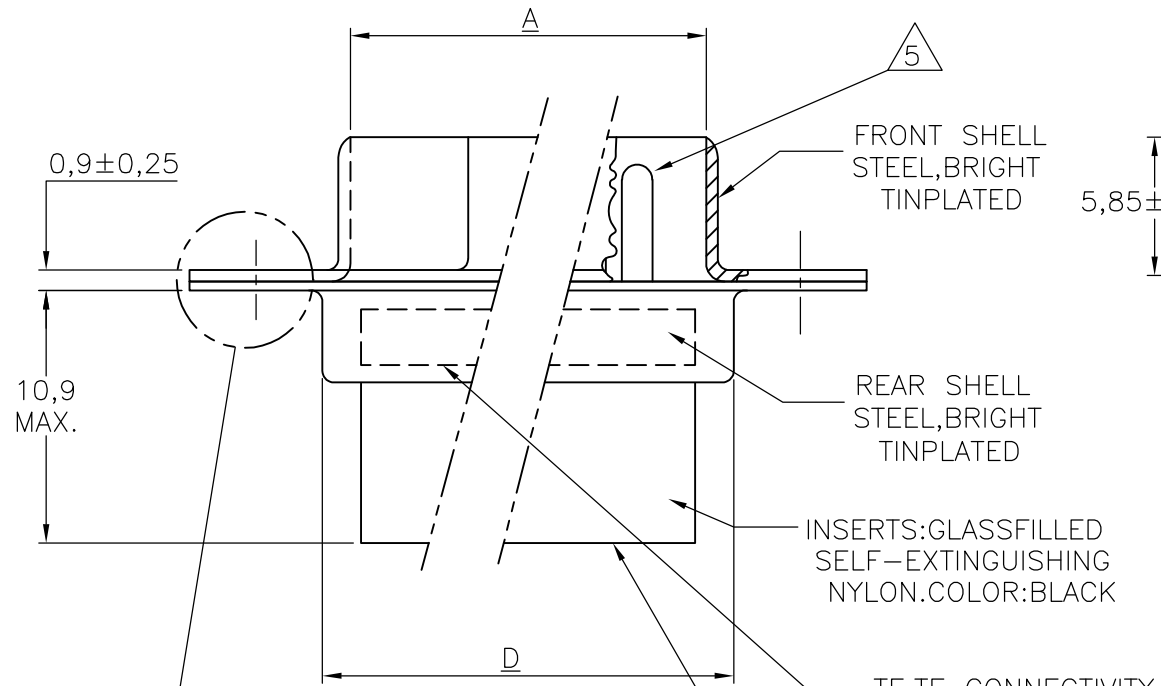
SIZE 1 THRU 4
CONFIGURATION

MATING FACE

NOTES:

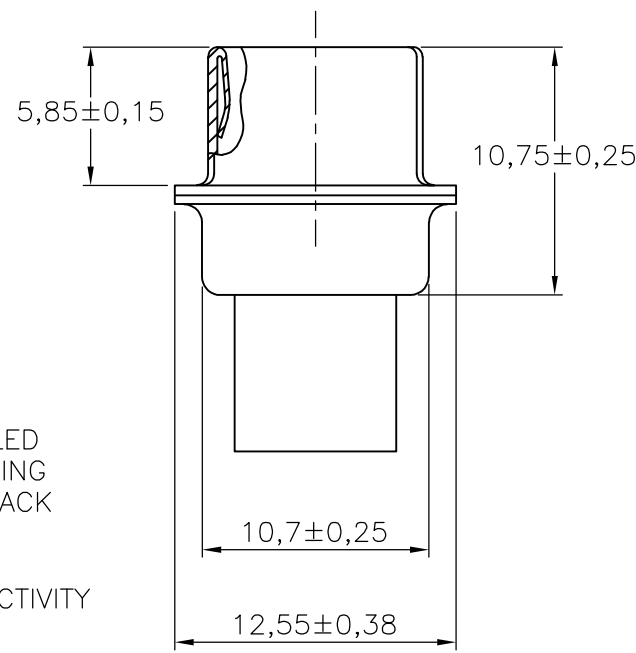
- THIS PLUG ACCEPTS SIZE 20 PIN CONTACTS.
- MAXIMUM WIRE INSULATION RECOMMENDED FOR USE WITH THIS PLUG IS 1,73 DIA. MAX..
- RETENTION TINES ARE AN INTEGRAL PART OF INSERT.
- FOLLOWING INSERTION/REMOVAL TOOLS ARE RECOMMENDED FOR USE WITH THESE CONNECTORS:

32-28AWG/28-24AWG CONT's	24-20AWG CONTACTS
91067-3 INSERTION/REMOVAL	91067-2 INSERTION/REMOVAL
726363-1 INSERTION ONLY	726363-1 INSERTION ONLY
	726364-1 REMOVAL ONLY
- CONTACTS SHOWN FOR ILLUSTRATION ONLY, NO PART OF CONNECTOR PACKAGE ; MUST BE ORDERED SEPARATELY.
- RAISED CAVITY IDENTIFICATION NUMBERS ON WIRE SIDE ARE WHITENED FOR -9 P/N'S.



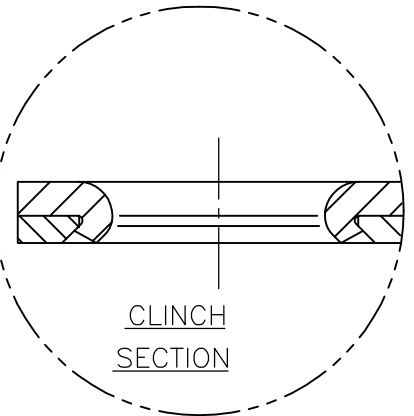
TE,TE CONNECTIVITY
PARTNUMBER,
DATE CODE
INK STAMPED

RAISED CAVITY IDENTIFICATION.



D	C	B	A	NR.OF POS	SIZE	ORDER NUMBER
55,3 ± 0,25	66,9 ± 0,38	61,1 ± 0,13	52,9 ± 0,13	50	5	167296-9 167296-1
57,7	69,3	63,5	55,4	37	4	167295-9 167295-1
41,3	53,0	47,0	39,0	25	3	167294-9 167294-1
27,5	39,1	33,3	25,3	15	2	167293-9 167293-1
19,3	30,8	25,0	16,9	9	1	167292-9 167292-1

FOR DETAILS SIZE 5, SEE SHEET 2.

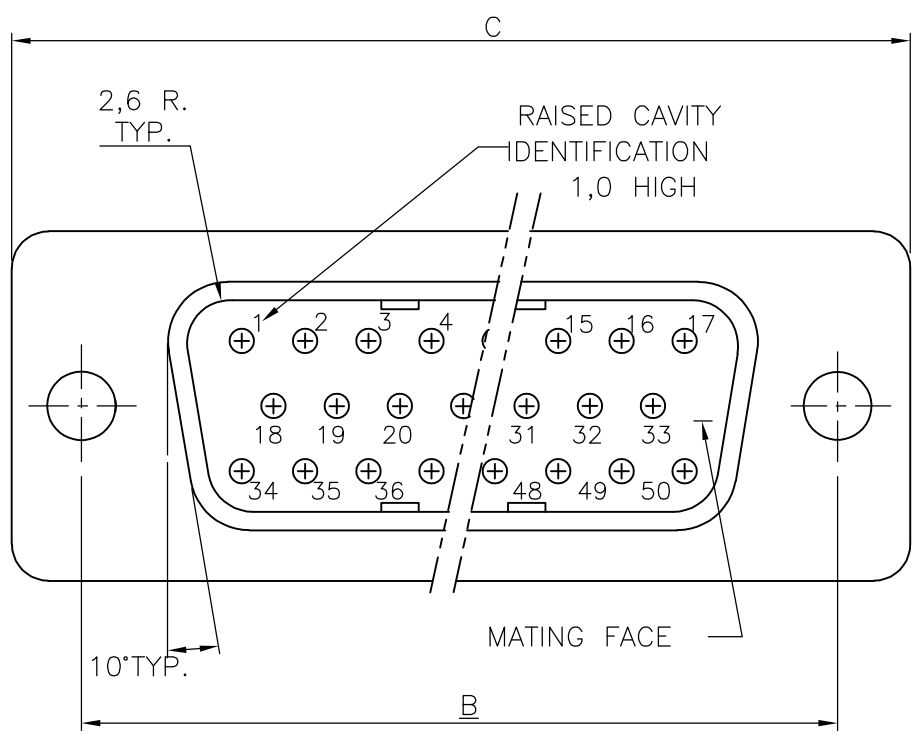


CLINCH SECTION

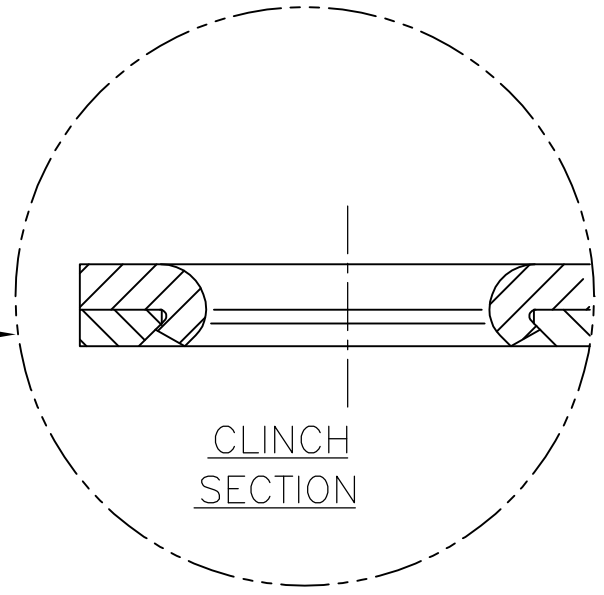
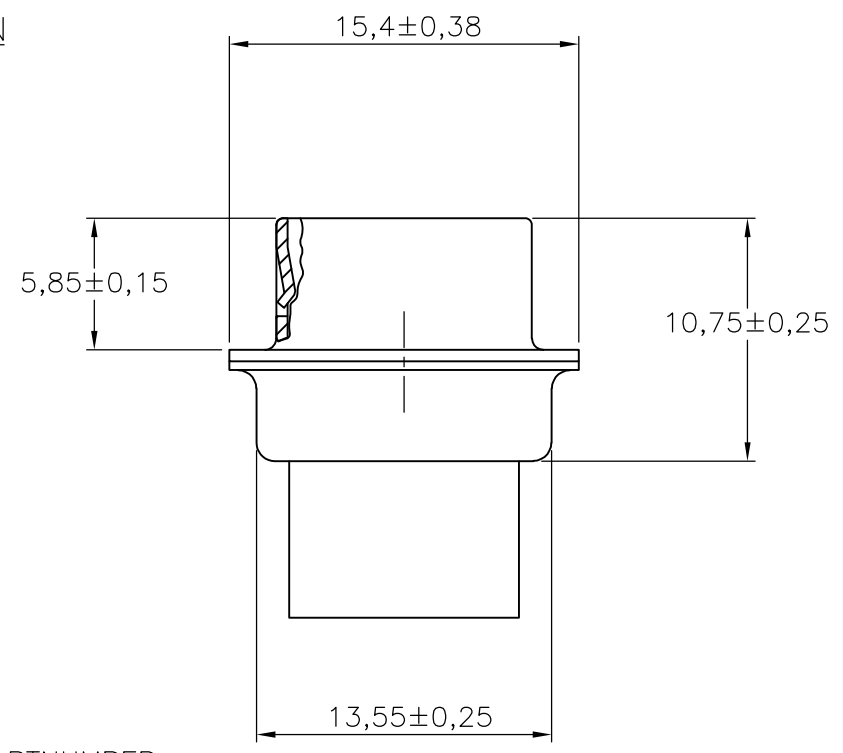
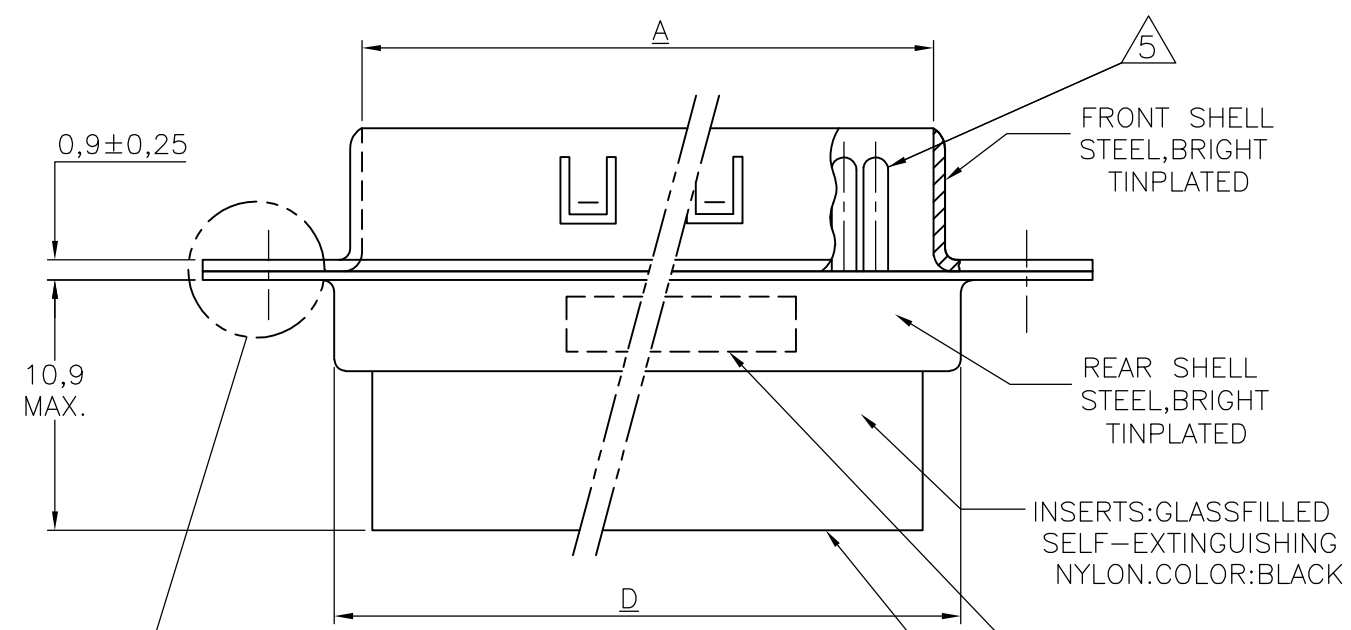
THIS DRAWING IS A CONTROLLED DOCUMENT.		DWN B.MOOIJ 20NOV87	TE Connectivity	
DIMENSIONS: mm		CHK -		
TOLERANCES UNLESS OTHERWISE SPECIFIED:		APVD -	NAME	
0 PLC ± -	1 PLC ± 0,2	PRODUCT SPEC -		
2 PLC ± -	3 PLC ± -	APPLICATION SPEC -	HDP-20 PLUG CONNECTOR, SIZE 1-4	
4 PLC ± -	ANGLES ± 2'	WEIGHT -		
MATERIAL -	FINISH -	CUSTOMER DRAWING	SIZE A3	CAGE CODE 00779
			DRAWING NO C-167292	RESTRICTED TO -
			SCALE NTS	SHEET 1 OF 2
			REV M2	

THIS DRAWING IS UNPUBLISHED. RELEASED FOR PUBLICATION
 © COPYRIGHT - By - ALL RIGHTS RESERVED.

LOC	DIST	REVISIONS			
P	LTR	DESCRIPTION	DATE	DWN	APVD
H	-	SEE SHEET 1	-	-	-



SIZE 5
CONFIGURATION



TE,TE CONNECTIVITY PARTNUMBER,
DATE CODE INK STAMPED

RAISED CAVITY IDENTIFICATION. 6

THIS DRAWING IS A CONTROLLED DOCUMENT.		DWN B.MOOIJ 20NOV87	TE Connectivity				
DIMENSIONS: mm		CHK -					
TOLERANCES UNLESS OTHERWISE SPECIFIED:		APVD -	NAME				
0 PLC ± -		PRODUCT SPEC -	HDP-20 PLUG CONNECTOR, SIZE 5				
1 PLC ± 0,2		APPLICATION SPEC -	SIZE	CAGE CODE	DRAWING NO	RESTRICTED TO	
2 PLC ± -		WEIGHT -	A3	00779	C-167292	-	
3 PLC ± -		FINISH -	CUSTOMER DRAWING		SCALE	SHEET	REV
4 PLC ± -		ANGLES ± 2'			NTS	2 OF 2	M2

X-ON Electronics

Largest Supplier of Electrical and Electronic Components

Click to view similar products for te connectivity manufacturer:

Other Similar products are found below :

[570416-000](#) [CLTEQ-M81CE-SSRELAY-4-20V](#) [4-1633138-8](#) [D38999/24FJ4AN](#) [4-1195131-0](#) [650069-000](#) [SMD100-2](#) [2EDL4CM](#)
[DTS20W19-11PD-3028](#) [DTS20W19-11PD-3028-LC](#) [DTS20W19-32SD-3028-LC](#) [DTS20W19-32SD-3028](#) [NC6-P104-06](#) [TXR64AB90-](#)
[3616AI](#) [DTS26F21-41HE](#) [DTS26F21-41AE](#) [DTS26F21-41PE-LC](#) [DTS26F21-11SE-3028-LC](#) [D38999/24WF32JE](#) [D38999/24WF32SE-LC](#)
[DTS24W19-32HE](#) [D38999/20JB35HA](#) [D38999/24WJ20PA](#) [164-8033-08](#) [D38999/24FF32JE](#) [D38999/24FF32SE-LC](#) [D38999/24WF32JB](#)
[D38999/24WG11HA](#) [D38999/24WG11HN](#) [MS27467T21F11H](#) [DJT16E21-11HA](#) [DTS24F19-32HE](#) [DTS20W19-32SA-3028-LC](#) [DTS24F19-](#)
[11SC-3028-LC](#) [DTS24F19-11SC-3028](#) [DJT14E13-98HB](#) [D38999/20WC8BB](#) [1-330599-5](#) [DTS24F21-41HN-LC](#) [DTS24F21-41HN](#)
[DTS24F21-41AN](#) [DTS24F21-39HN](#) [DTS24F21-41PN-LC](#) [AFD50-10-6SN-1A-LC](#) [DJT10F17-26HC](#) [DTS24W19-32HB](#) [ACT20JE99HA](#)
[DJT10E17-26HC](#) [DJT10E17-26HN](#) [DJT10F17-26HA](#)