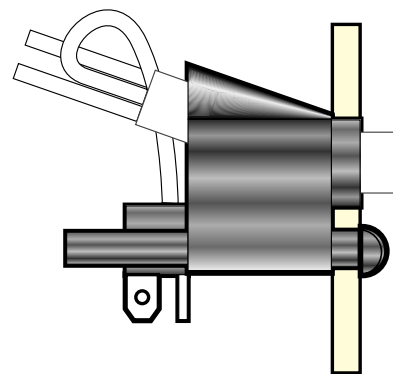
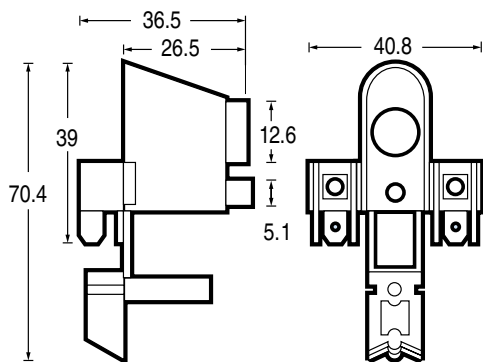


- Cable restraint and termination in one
- Designed to meet BEAB requirements
- Mains cable can be replaced without removing Triklamp



<b>TriKlamp</b>		Material - High grade Nylon 6
Product Reference	Cable Diameter mm	Screw Fixing
TK2	6.0 - 8.5	No. 6 Self Tapping

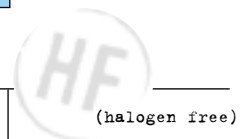


<b>KlamKlip</b>		Material - High grade Nylon 6	HF (halogen free)
Product Reference	Minimum Jaw Diameter	Screw Fixing	
KK1	4.5	M5	
KK2	5.5	M5	
KK3	6.5	M5	
KK4	7.5	M5	

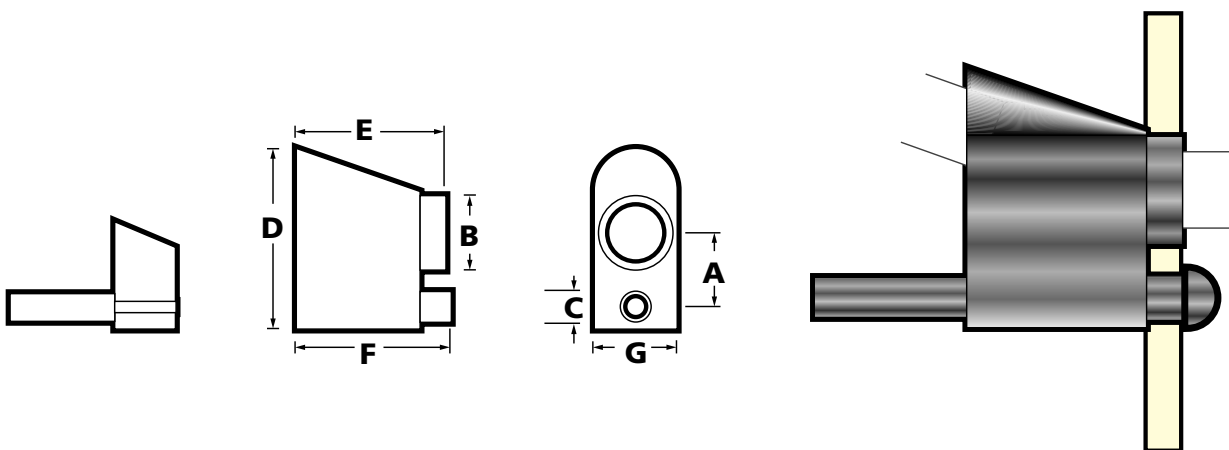
- Cable restraint available in 4 sizes
- Cable diameters 4.5 - 7.5mm
- Location spigot prevents rotation
- Single screw mounting



- Ideal for domestic appliances
- Bushes cable at point of entry into appliance
- Secures cable firmly without damage
- Colour - Black



<b>Klam Bush</b>		<i>Material - High grade Nylon 6</i>							<b>Cable Diameter mm</b>
<b>Product Reference</b>	<b>A mm</b>	<b>B mm</b>	<b>C mm</b>	<b>D mm</b>	<b>E mm</b>	<b>F mm</b>	<b>G mm</b>		
KB1	12.7	9.5	5.3	27.0	18.6	20.3	10.7	3.8 - 6.0	
KB2	12.7	12.8	5.3	31.0	26.4	26.4	14.3	6.0 - 8.5	
KB3	15.9	15.8	5.3	38.5	26.4	26.4	17.5	8.0 - 10.5	
KB4	15.9	19.0	5.3	42.0	31.0	31.0	20.9	10.0 - 15.0	



## X-ON Electronics

Largest Supplier of Electrical and Electronic Components

*Click to view similar products for [Wire Identification](#) category:*

*Click to view products by [Hellermann](#) manufacturer:*

Other Similar products are found below :

[CU6337-000](#) [CU6342-000](#) [FCA-410-12](#) [11631010](#) [1-1768037-1](#) [1-1768037-2](#) [1-1768050-0](#) [PXLK-VI](#) [Q62184-1](#) [A64304-000](#) [QMT221](#)  
[HK032WE1NF038B](#) [1330-0519-10](#) [1395199-1](#) [1395200-1](#) [1395202-1](#) [DMVF050WE-300S6](#) [D-SCE-1K-2.4-50-4-CS7834](#) [1538738-1](#)  
[E90935-000](#) [EC1238-000](#) [EC1465-000](#) [EC1855-000](#) [EC1859-000](#) [EC1863-000](#) [EC5415-000](#) [EC7277-000](#) [EC7352-000](#) [EC7603-000](#)  
[EC7707-000](#) [EC7735-000](#) [EC7768-000](#) [EC7828-000](#) [EC7854-000](#) [EC7952-000](#) [EC8128-000](#) [1768037-8](#) [1768041-7](#) [NC-127191-10-9](#)  
[HS048WE2NF038B](#) [C03232-000](#) [HTCM-SCE-14-4H-9](#) [HTMS-3/16-9](#) [HT-SCE-1/4-2.0-4](#) [HT-SCE-3/16-2.0-4](#) [HTTMS-1/2-1.50-9](#) [HTTMS-](#)  
[CM-1/2-4H-9](#) [HX-SCE-19.0-50-9](#) [HX-SCE-6.4-50-4](#) [C25254-000](#)