

THIS DRAWING IS UNPUBLISHED.

RELEASED FOR PUBLICATION

20

LOC

DIST

REVISIONS

© COPYRIGHT 20 BY - ALL RIGHTS RESERVED.

DY

-

P LTR

E4

DESCRIPTION

ADD new p/n with width cavity

DATE

15APR15

DWN

I.T

APVD

W.H

Notes:

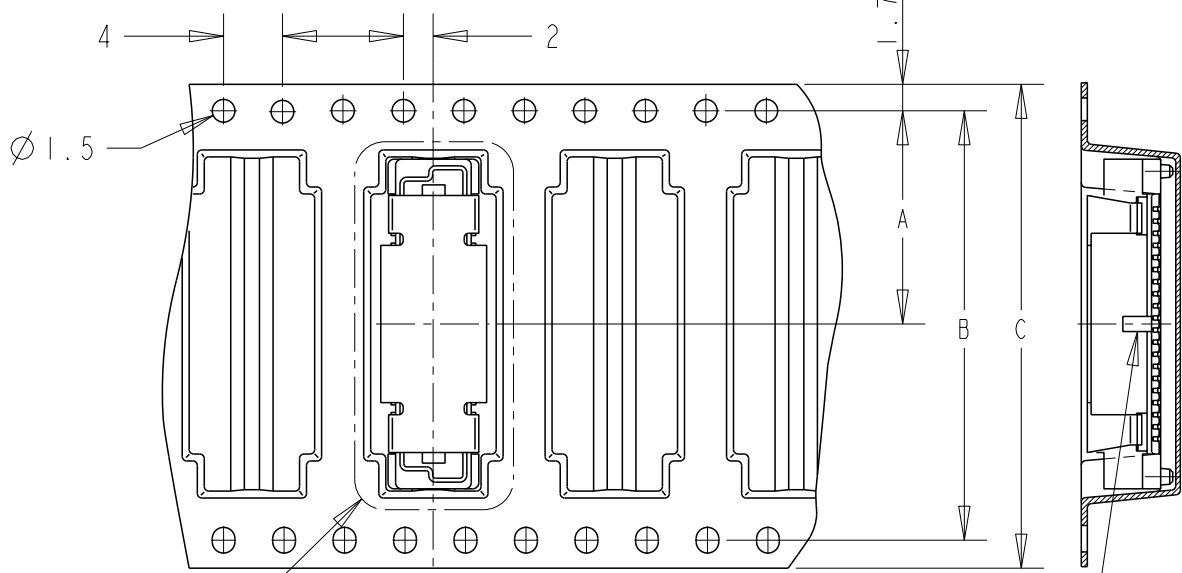
1 CUTOUT FEATURE AVAILABLE ONLY ON 5H ASSY P/N -1 (40P) AND -2 (60P).

2 0.00038 MIN GOLD PLATING (15u INCHES GOLD PLATING)

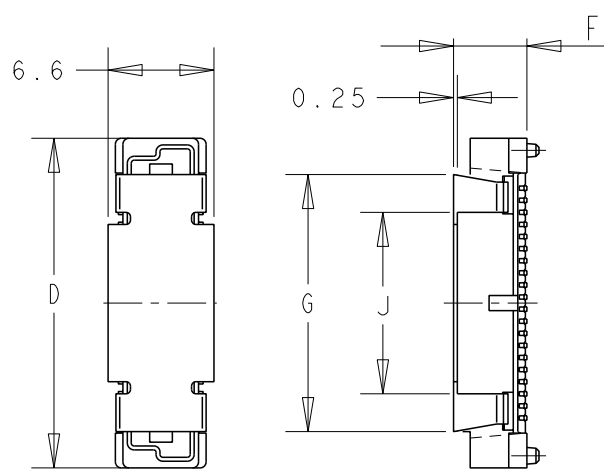
3 CONNECTOR DIMENSIONS REFERENCED FROM DRAWING WHICH CONN. P/Ns BASED

HALOGEN FREE

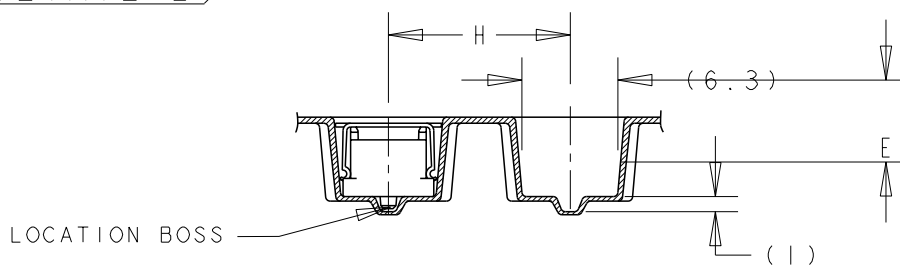
DIRECTION OFF TOP OF REEL



DETAIL B

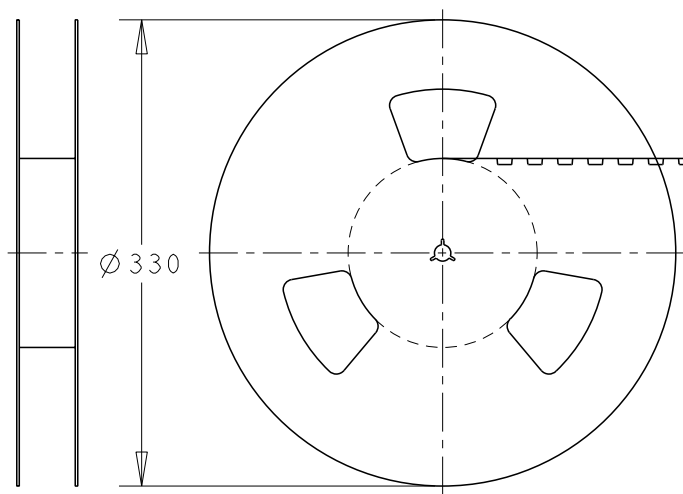


DETAIL B



LOCATION BOSS

WINDING THE COVER TAPE AROUND THE OUTER PERIPHERY IN A TURN.



10 HOLES

300mm WITHOUT CHARGE APPROX

WITH PRODUCT CHARGE

300mm WITHOUT CHARGE APPROX

0.00076 MIN GOLD PLATING (30u INCHES GOLD PLATING)	450		16					61.8	88	84.4	42.2	140	1-	-6	7-	-6	
								53.8				120	1-	-5	7-	-5	
								45.8	72	68.4	34.2	100	1-	-4	7-	-4	
								37.8	56	52.4	26.2	80	1-	-3	7-	-3	
	700	7H	12		6.85	7.25		29.8	44	40.4	20.2	60	1-	-2	7-	-2	
								21.8	32	28.4	14.2	40	1-5179030-1				7-5177986-1
								69.8					160		-8	6-	-8
								61.8	88	84.4	42.2	140		-6	6-	-6	
								53.8					120		-5	6-	-5
								45.8	72	68.4	34.2	100		-4	6-	-4	
0.00076 MIN GOLD PLATING (30u INCHES GOLD PLATING)	550		16					37.8	56	52.4	26.2	80		-3	6-	-3	
								29.8	44	40.4	20.2	60		-2	6-	-2	
	800	6H	12		5.85	6.25		21.8	32	28.4	14.2	40	5084615-1				6-5177986-1
								85.8	104	100.4	50.2	200	1-	-0	5-	-0	
								69.8				160		-8	5-	-8	
								61.8	88	84.4	42.2	140		-6	5-	-6	
								53.8					120		-5	5-	-5
								45.8	72	68.4	34.2	100		-4	5-	-4	
								37.8	56	52.4	26.2	80		-3	5-	-3	
								29.8	44	40.4	20.2	60		-2	5-	-2	
0.00076 MIN GOLD PLATING (30u INCHES GOLD PLATING)	650		16					21.8	32	28.4	14.2	40		-2	5-	-2	
	900	5H	12	12	17	4.85	5.25	21.8	32	28.4	14.2	40	5084614-1				5-5177986-1
	450	7H	12	16	17	6.85	7.25	53.8	72	68.4	34.2	120	3-5179030-5				4-5177986-5
								85.8				200	1-	-0	4-	-0	
								77.8	104	100.4	50.2	180		-9	3-	-9	
								69.8				160		-8	3-	-8	
								61.8	88	84.4	42.2	140		-6	3-	-6	
								53.8					120		-5	3-	-5
								45.8	72	68.4	34.2	100		-4	3-	-4	
								37.8	56	52.4	26.2	80		-3	3-	-3	
0.0002 MIN GOLD PLATING (7.8u INCHES GOLD PLATING)	600	8H	12		7.85	8.25		21.8	32	28.4	14.2	40	5179031-1				3-5177986-1
								85.8				200	1-	-0	3-	-0	
								77.8	104	100.4	50.2	180		-9	2-	-9	
								69.8				160		-8	2-	-8	
								61.8	88	84.4	42.2	140		-6	2-	-6	
								53.8				120		-5	2-	-5	
								45.8	72	68.4	34.2	100		-4	2-	-4	
								37.8	56	52.4	26.2	80		-3	2-	-3	
								29.8	44	40.4	20.2	60		-2	2-	-2	
								21.8	32	28.4	14.2	40	5179030-1				2-5177986-1
0.0002 MIN GOLD PLATING (7.8u INCHES GOLD PLATING)	450		16					21.8	32	28.4	14.2	40	5179030-1				2-5177986-0
								61.8	88	84.4	42.2	140		-6	1-	-6	
								53.8				120		-5	1-	-5	
								45.8	72	68.4	34.2	100		-4	1-	-4	
								37.8	56	52.4	26.2	80		-3	1-	-3	
								29.8	44	40.4	20.2	60		-2	1-	-2	
	700		12					21.8	32	28.4	14.2	40	5179030-1				2-5177986-1
	500	7H	16		6.85	7.25		21.8	32	28.4	14.2	40	5179030-1				2-5177986-0
								61.8	88	84.4	42.2	140		-6	1-	-6	
								53.8				120		-5	1-	-5	
0.0002 MIN GOLD PLATING (7.8u INCHES GOLD PLATING)	550		16					45.8	72	68.4	34.2	100		-4	1-	-4	
								37.8	56	52.4	26.2	80		-3	1-	-3	
								29.8	44	40.4	20.2	60		-2	1-	-2	
	800	6H	12		5.85	6.25		21.8	32	28.4	14.2	40	5179029-1				1-5177986-1
								69.8				160		-8		-8	
								61.8	88	84.4	42.2	140		-6		-6	
								53.8				120		-5		-5	
								45.8	72	68.4	34.2	100		-4		-4	
								37.8	56	52.4	26.2	80		-3		-3	
								29.8	44	40.4	20.2	60		-2		-2	
0.0002 MIN GOLD PLATING (7.8u INCHES GOLD PLATING)	650		16					21.8	32	28.4	14.2	40		-2		-2	
	900	5H	12	12	17	4.85	5.25	21.8	32	28.4	14.2	40	5177984-1				5177986-1

REMARKS	QTY	HEIGHT TYPE	J	H	G	F	E	D	C	B	A	POS	CONN. P/N REF. ONLY	SALEABLE PART NO.
---------	-----	-------------	---	---	---	---	---	---	---	---	---	-----	---------------------	-------------------

THIS DRAWING IS A CONTROLLED DOCUMENT.

DIMENSIONS: mm	TOLERANCES UNLESS OTHERWISE SPECIFIED: 0 PLC ±0.3 1 PLC ±0.25 2 PLC ±0.2 3 PLC ±0.2 4 PLC ANGLES ±3°
MATERIAL	FINISH

DWN	30AUG04
CHK	FLORENCE TAN
APVD	ERIC TNG
PRODUCT SPEC	SF LEONG
APPLICATION SPEC	108-5390
WEIGHT	114-5254

		TE Connectivity	
NAME PLUG ASSEMBLY (0.5 BOSS LENGTH) FOR FH 0.8 B-T-B CONN. ON TAPING			
SIZE	CAGE CODE	DRAWING NO	RESTRICTED TO
A3	00779	C-5177986	-
CUSTOMER DRAWING		SCALE	SHEET 1 OF 1
		REV	E4

## X-ON Electronics

Largest Supplier of Electrical and Electronic Components

*Click to view similar products for [Board to Board & Mezzanine Connectors](#) category:*

*Click to view products by [TE Connectivity](#) manufacturer:*

Other Similar products are found below :

[10135583-642402LF](#) [89885-310LF](#) [589158040000018](#) [6-1393048-0](#) [68683-613](#) [MDF7-12DP-2.54DSA](#) [MDF7-18P-2.54DSA\(01\)](#) [MDF7-20DP-2.54DSA](#) [MDF7-26D-2.54DSA\(55\)](#) [MDF7-3P-2.54DSA\(01\)](#) [MDF7B-3P-2.54DSA\(55\)](#) [MDF7C-11P-2.54DSA\(55\)](#) [MDF7C-18P-2.54DSA\(55\)](#) [MDF7C-5P-2.54DSA\(01\)](#) [MDF7P-5P-2.54DSA\(55\)](#) [75234-0516](#) [FCN-230C068-11](#) [FCN-268F012-G/BD](#) [FCN-268F036-G/BD](#) [FCN-268M012-G/0D](#) [FCN-268M024-G/1D](#) [FCN-360C008-C](#) [FCN-360C040-C](#) [FCN-723J004/1](#) [MIS-048-01-F-D-DP-K](#) [832-10-034-10-001000](#) [93696-325LF](#) [11828-1FA](#) [AXK630345P](#) [18097-0013](#) [ICA-328STT](#) [2007042-2](#) [304400-2](#) [FCN-214Q030-G/0](#) [FCN-215Q040-G/0](#) [FCN-230C068-ESA](#) [FCN-234P048-G/0](#) [FCN-235D050-G/C](#) [FCN-360A3](#) [FCN-360C040-B](#) [210-93-314-41-105000](#) [2-22603-0](#) [379-064-521-202](#) [MDF7-12P-2.54DSA\(01\)](#) [MDF7-16P-2.54DS\(56\)](#) [MDF7-40DP-2.54DSA\(55\)](#) [MDF7-8P-2.54DSA\(55\)](#) [MDF7B-16P-2.54DSA\(55\)](#) [AXG720047](#) [5031084030](#)