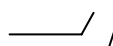
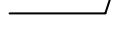


## MAINS PLUG

Type	3-pin Australian Mains Plug
Standard	AS/NZS3112.2004
Safety Certificate	Q01734
Color	Ash / Black / White / Dark Grey

## FLEX

### JACKET

Type	GD-3
Standard	AS/NZS3191.2003
Safety Certificate	N18155
Marking	Powermaster® GD-3 3x0.75mm <sup>2</sup> 75°C N18155 AS/NZS3191 Cn China Factory  Roll Number 
Diameter	6.60mm
Material	PVC (Ash / Black / White / Dark Grey)

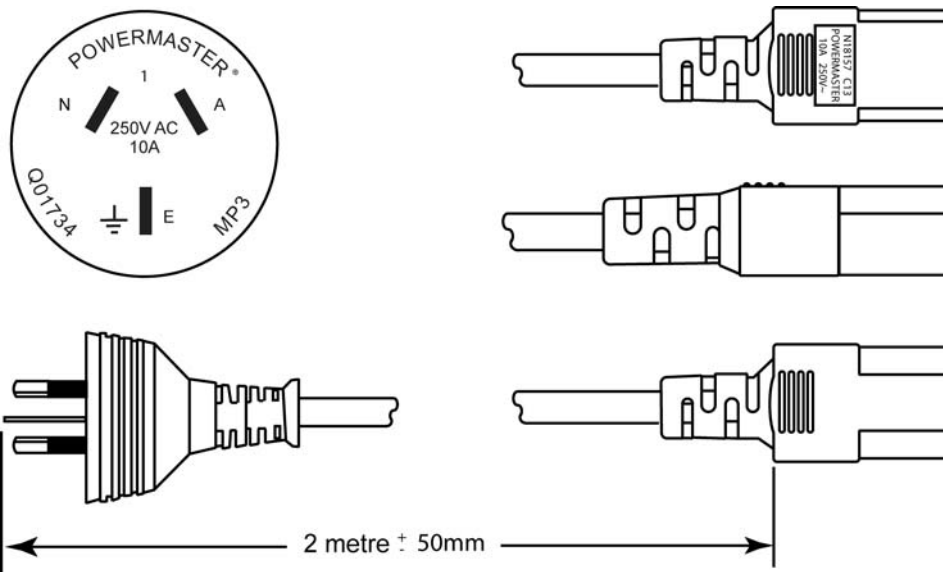
### CONDUCTORS

Conductors	3 x 0.75mm <sup>2</sup>
Sheath	PVC Brown (A), Blue (N), Yellow/Green (E)

## CONNECTOR

Type	IEC-C13
Standard	AS/NZS60320.2.2.2004
Safety Certificate	N18157
Color	Ash / Black / White / Dark Grey

## PRODUCT DRAWING



## **X-ON Electronics**

Largest Supplier of Electrical and Electronic Components

*Click to view similar products for [access communications manufacturer](#):*

Other Similar products are found below :

[T1212-150](#) [Y9211](#) [K3754ORA](#) [K3744-015](#) [W2685RED](#) [W2652ASH](#) [W2682RED](#) [K3792](#) [K3743-050](#) [K3749](#) [K37557ORA](#) [K3759](#) [K3759-005](#) [P2163](#) [K3759-001](#) [K3791](#) [W2650BLU](#) [K3745](#) [K3762](#) [P2210](#) [K3781](#) [K3748ORA](#) [K3750](#) [P2124](#)