

# Series 17 and 27 Intrinsically Safe Controls

- ▶ Cannot Ignite Flammable Materials
- ▶ Solid State Reliability
- ▶ Up to 470K Ohm/cm Sensitivity (Series 17)
- ▶ Internal Surge Suppression
- ▶ SPST Contacts (Series 17)
- ▶ SPDT Contacts (Series 27)
- ▶ Can Be Used for Single Level or Differential Service

## Series 17 – FM Approved

Series 17 is FM Approved for use in Class I or II, Division 1, Groups A-G hazardous atmospheres. SPST isolated contacts. Field adjustable sensitivity by use of external resistors.

## Series 27 – UL-CSA Approved

Series 27 is UL approved for use in Class I, Groups A, B, C, D; Class II, Groups E, F, G; and Class III hazardous locations. SPDT output contacts. UL Pilot Duty rated.

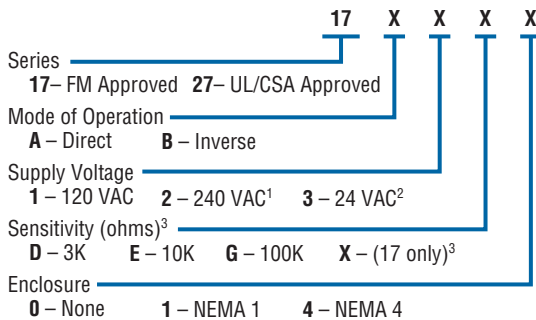
CSA Certified for Class 1, Groups A, B, C and D; Class II, Groups E, F and G; Class III

## Specifications

<b>Contact Design</b>	
Series 17	1 N.O. & 1 N.C. Isolated Contacts
Series 27	1 N.O. & 1 N.C. (1 form C)
<b>Contact Rating (24/120/240VAC)</b> 8 amp Resistive	
<b>Mode of Operation</b> Direct/Inverse, factory set	
<b>Sensitivity</b>	
Series 17	0-470K ohm, field adjustable
Series 27	0-100K ohm, factory set
<b>Primary Voltage</b>	
Series 17	24 VAC, 120 VAC, 240 VAC (+10%/-15%) 50/60 Hz
Series 27	120 VAC, 240 VAC (+10%/-15%) 50/60Hz
<b>Secondary Voltage</b>	
Series 17	13 VAC, 4 mA
Series 27	11 VAC, 2.3 mA
<b>Temperature</b> -40°F to +150°F (-40°C to +65°C)	
<b>Approvals</b>	
Series 17	FM File # 1G9A1.AX
Series 27	U.L. 913 File # E44570; CSA #2174246
<b>Connections</b> All screw type connections	

## How to Order

Use the **Bold** characters from the chart below to construct a product code.



### Notes:

- 240V standard in Series 17. Non-standard, but available in Series 27.
- 24V available only in Series 17.
- Series 27 only. Series 17 includes a full set of resistors (3.3K, 4.7K, 10K, 47K, 100K, 220K, 470K ohms) to allow modification of sensitivity in the field. Product code symbol in this position for Series 17 is "X."



Series 17

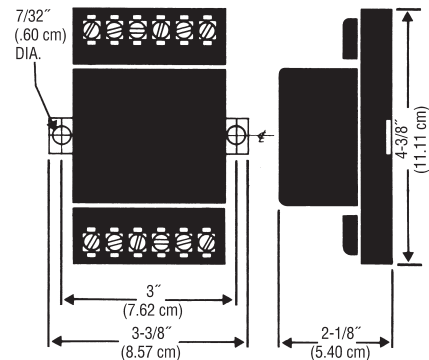


Series 27

## Applications

- Hazardous Atmospheres
- Pumps
- Waste Treatment
- Alarms
- Sewage
- CP Industry

## Dimensions



## X-ON Electronics

Largest Supplier of Electrical and Electronic Components

*Click to view similar products for [Safety Relays](#) category:*

*Click to view products by [Gems Sensors](#) manufacturer:*

Other Similar products are found below :

[7-1618103-5](#) [1351-1X](#) [1618089-2](#) [C200HDA003](#) [C200HMR432](#) [C200HMR832](#) [C200HMR833](#) [20-050-36X](#) [C500OD415CN](#) [2-1618068-0](#)  
[25994](#) [9-1618103-2](#) [SP10-ETL01](#) [21-890](#) [3-1618060-0](#) [C200HNC112](#) [C200HOD214](#) [C500CN812N](#) [1100X](#) [1100-42X](#) [1-1618062-0](#) [7-](#)  
[1618103-6](#) [50.12.9.110.1000](#) [SP16DRD](#) [SP16DRA](#) [XPSAXE5120P](#) [XPSECPE5131P](#) [C500-CE243](#) [607.5111.020](#) [439390016](#) [607.5111.009](#)  
[607.5111.010](#) [PSR-MM25-1NO-2DO-24DC-SC](#) [NXSL5500](#) [600PSR-165/300-CU](#) [SR4D4110](#) [J73KN-AM-22](#) [G7SA-3A1B DC12](#) [G7SA-](#)  
[4A2B DC12](#) [G7SA-3A1B DC48](#) [G7SA-2A2B DC48](#) [ES-FA-9AA](#) [50.12.9.024.5000](#) [44510-2310](#) [V23047-A1036-A501](#) [44510-1081](#) [44510-](#)  
[2021](#) [44510-2232](#) [WUF-12-5060-T](#) [SR4M4021](#)