

Features

- Complete RF Transmitter
- Transmit Range Up To 50m
- CMOS / TTL Input
- No Adjustable Components
- Very Stable Operating Frequency
- Low Current Consumption (Typ 11mA)
- Wide Operating Voltage (1.5-5v)
- ASK Modulation
- Available as 315 or 433 MHz



Applications

- Wireless Security Systems
- Car Alarms
- Remote Gate Controls
- Remote Sensing
- Data Capture
- Sensor Reporting

Description

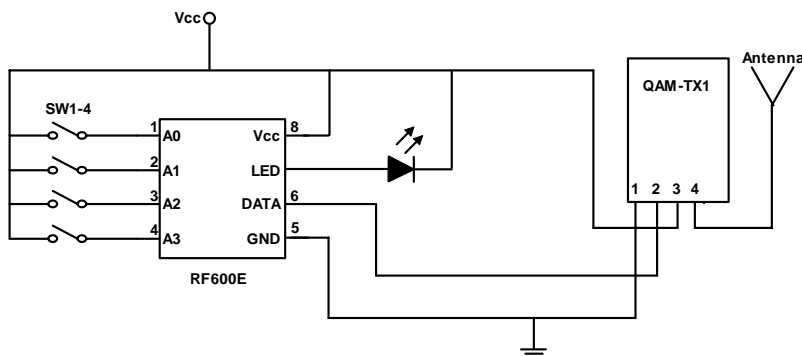
The Quasar UK AM hybrid transmitter module provides a complete RF transmitter which can be used to transmit data at up to 3KHz from any standard CMOS/TTL source.

The module is very simple to operate and offers low current consumption (typ. 11mA). Data can be supplied directly from a microprocessor or encoding device, thus keeping the component count down and ensuring a low hardware cost.

The modules are compatible with the Quasar UK Ltd. range of AM receivers to provide a complete solution.

Typical Application

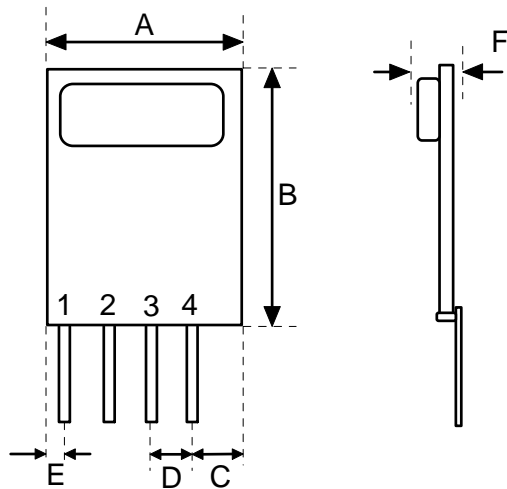
For further information on this circuit please refer to the RF Solutions datasheet DS600



Part Numbers

| Part Number | Description |
|-------------|-------------------------------|
| QAM-TX1-433 | AM Transmitter Module, 433MHz |
| QAM-TX1-315 | AM Transmitter Module, 315MHz |

Technical Specifications



Notes

Pins on 0.1" pitch

Pin Dims :0.25 x 0.50mm

Dimensions

| Pin | Measurements (mm) |
|-----|-------------------|
| A | 13 |
| B | 19 |
| C | 3 |
| D | 2.54 |
| E | 1 |
| F | 5.5 |

Pin Descriptions

| Pin | Name | Description |
|-----|------|------------------|
| 1 | GND | Ground |
| 2 | IN | Data input |
| 3 | Vcc | Supply Voltage |
| 4 | ANT | External Antenna |

Electrical Characteristics

Ambient temp = 25°C unless otherwise stated.

| Characteristic | Min. | Typ. | Max. | Dimensions |
|---|------|--------------|-------|------------|
| Supply Voltage | 1.5 | 3 | 5 | Vdc |
| Supply Current (Vcc=5V IN=1kHz) | 2.9 | 11 | 22 | mA |
| Working Frequency | | 315 / 433.92 | | MHz |
| Time from Power on to data transmission | | 20 | | Ms |
| Data Rate | 200 | | 3,000 | Hz |
| Operating Temperature | -20 | | +60 | °C |

www.quasaruk.co.uk

Information contained in this document is believed to be accurate, however no representation or warranty is given and no liability is assumed by Quasar (UK) Ltd. with respect to the accuracy of such information. Use of products as critical components in life support systems is not authorised except with express written approval from Quasar (UK) Ltd.

X-ON Electronics

Largest Supplier of Electrical and Electronic Components

Click to view similar products for [quasar](#) manufacturer:

Other Similar products are found below :

[QAM-TX3](#)