



- Robust aluminium enclosure for mechanical engineering and automation technology
- Fixing options for DIN rails and mounting plates
- Usable in wide temperature area

Technical Data

Material:

DIN EN 1706 EN AC-AISI 12 (Fe)

Painting:

powder coating

Colour:

RAL 7001, silver grey

special colour on request

Ingress protection:

IP 66 to EN 60529

higher protection on request

Impact resistance:

7 Joule to EN 60079-0

Temperature range:

PU (polyurethane) seal (std.): -40°C to +90°C

CR (chloroprene) seal: -40°C to +100°C

VMQ(silicone) seal (optional): -60°C to +130°C

Included in delivery

Aluminium enclosure consisting of lid, seal incl. captive +/- stainless steel screws, base with 2 or 4 earthing screws

Aluminium Standard

Programme range

Standard enclosures

| Order No. | W x L x H (mm) | DIN rails for terminals | | Earthing rail, number of clamps | Mounting plate, thickness in mm ¹⁾ | External brackets set ²⁾ | External aluminium hinge pair ^{3), 4)} | Internal hinge pair ^{2), 4)} | Quick lock ⁵⁾ | Turn bolt fastener ⁴⁾ |
|-------------|-----------------|-------------------------|-------|---------------------------------|---|-------------------------------------|---|---------------------------------------|--------------------------|----------------------------------|
| | | TS 15 | TS 35 | | | | | | | |
| 01.05 05 03 | 45 x 50 x 30 | | | | | | | | | |
| 01.06 06 03 | 64 x 58 x 34 | | | | | | | | | |
| 01.06 10 03 | 64 x 98 x 34 | | | | | | | | | |
| 01.06 15 03 | 64 x 150 x 34 | | | | | | | | | |
| 01.06 19 03 | 64 x 185 x 34 | | | | | | | | | |
| 01.08 08 06 | 80 x 75 x 57 | | | | 1,5 | | | | | |
| 01.08 13 06 | 80 x 125 x 57 | | | | 1,5 | | | | | |
| 01.08 18 06 | 80 x 175 x 57 | | | | 1,5 | | | | | |
| 01.08 25 05 | 80 x 250 x 52 | | | | | | | | | |
| 01.10 10 08 | 100 x 100 x 81 | | | | 1,5 | | | | | |
| 01.10 16 08 | 100 x 160 x 81 | | | | 1,5 | | | | | |
| 01.10 20 08 | 100 x 200 x 81 | | | | 1,5 | | | | | |
| 01.12 12 08 | 120 x 122 x 81 | | | 6 | 1,5 | | | | | |
| 01.12 12 09 | 120 x 122 x 91 | | | 6 | 1,5 | | | | | |
| 01.12 22 08 | 120 x 220 x 81 | | | 13 | 1,5 | | | | | |
| 01.12 22 09 | 120 x 220 x 91 | | | 13 | 1,5 | | | | | |
| 01.12 22 12 | 120 x 220 x 118 | | | 13 | 1,5 | | | | | |
| 01.12 36 08 | 120 x 360 x 81 | | | 23 | 1,5 | | | | | |
| 01.14 14 09 | 140 x 140 x 91 | | | 6 | 1,5 | | | | | |
| 01.14 20 09 | 140 x 200 x 91 | | | 11 | 1,5 | | | | | |
| 01.16 16 09 | 160 x 160 x 91 | | | 8 | 1,5 | | | | | |
| 01.16 26 09 | 160 x 260 x 91 | | | 16 | 1,5 | | | | | |
| 01.16 36 09 | 160 x 360 x 91 | | | 23 | 1,5 | | | | | |
| 01.16 56 09 | 160 x 560 x 91 | | | 36 | 2,0 | | | | | |
| 01.18 18 10 | 180 x 180 x 101 | | | 8 | 1,5 | | | | | |
| 01.18 28 10 | 180 x 280 x 101 | | | 17 | 1,5 | | | | | |
| 01.23 10 11 | 230 x 100 x 111 | | | - | 1,5 | | | | | |
| 01.23 20 11 | 232 x 202 x 111 | | | 10 | 1,5 | | | | | |
| 01.23 20 18 | 232 x 202 x 181 | | | 10 | 1,5 | | | | | |
| 01.23 28 11 | 230 x 280 x 111 | | | 16 | 1,5 | | | | | |
| 01.23 33 11 | 230 x 330 x 111 | | | 21 | 1,5 | | | | | |
| 01.23 33 18 | 230 x 330 x 181 | | | 21 | 1,5 | | | | | |
| 01.23 40 11 | 230 x 400 x 111 | | | 25 | 2 | | | | | |
| 01.23 40 23 | 230 x 400 x 225 | | | 25 | 2 | | | | | |
| 01.23 60 11 | 230 x 600 x 111 | | | 40 | 2 | | | | | |
| 01.31 40 11 | 313 x 404 x 111 | | | 25 | 2 | | | | | |
| 01.31 40 14 | 312 x 403 x 141 | | | 25 | 2 | | | | | |
| 01.31 40 18 | 313 x 404 x 181 | | | 25 | 2 | | | | | |
| 01.31 40 23 | 313 x 404 x 227 | | | 25 | 2 | | | | | |
| 01.31 60 11 | 310 x 600 x 111 | | | 40 | 2 | | | | | |
| 01.31 60 18 | 310 x 600 x 181 | | | 40 | 2 | | | | | |
| 01.60 60 20 | 600 x 600 x 202 | | | | 2,5 | | | | | |

Field enclosure with integrated external fastening

| | | | | | | | | | | |
|-------------|---------------|--|--|--|--|--|--|--|--|--|
| 01.06 12 00 | 64 x 115 x 34 | | | | | | | | | |
| 01.06 19 00 | 64 x 185 x 34 | | | | | | | | | |

¹⁾ galvanized sheet steel ²⁾ stainless steel ³⁾ diecast alu ⁴⁾ Please quote installation side A-D when ordering ⁵⁾ on request

Other accessories

EMC screening (without type 01.60 60 20)

SWB/SBG/SBGL corrosion protection (RAL 5009)

Allen lid screws (without type 01.60 60 20)

Silicone lid seal up to +130°C

Sealable lid screws in steel (without type 01.60 60 20)

Aluminium Standard

Terminal mounting

| Weidmüller | | | | | | | | | | | | | | | | | | | | Earth conductor connection | | | | |
|---|-----|-----|-----|-----|-----|-----|-----|-----|-----|-------|------|------|------|------|------|------|------|------|------|----------------------------|-----|---|---|-------------------------------|
| DIN rail TS 15 | | | | | X | X | X | X | | | | | | | | | | | | | WPE | Earthing bar 2.5 mm² with cable lug max. 10 mm² | Earthing screw M4 with cable lug max. 6 mm² | M6 with cable lug max. 35 mm² |
| DIN rail TS 35 | | | | | | | | X | X | X | X | X | X | X | X | X | X | X | X | | | | | |
| Voltage (V) | 500 | 400 | 400 | 400 | 250 | 400 | 250 | 400 | 500 | 800 | 800 | 800 | 1000 | 1000 | 1000 | 1000 | 1000 | 1000 | 1000 | | | | | |
| Current (A) | 24 | 32 | 32 | 32 | 17 | 15 | 24 | 32 | 24 | 24 | 32 | 41 | 57 | 76 | 125 | 192 | 232 | 269 | 309 | 415 | | | | |
| Nom. cross section (mm²) | 2,5 | 4 | 4 | 4 | 1,5 | 1,5 | 2,5 | 4 | 2,5 | 2,5 | 4 | 6 | 10 | 16 | 35 | 70 | 95 | 120 | 150 | 240 | | | | |
| Terminal width (mm) | 38 | 38 | 52 | 92 | 5,1 | 3,5 | 5,1 | 6,1 | 5,1 | 5,1 | 6,1 | 8 | 10 | 12 | 16 | 20,5 | 27 | 27 | 32 | 36 | | | | |
| Terminal type | | | | | | | | | | | | | | | | | | | | | | | | |
| Type | | | | | | | | | | | | | | | | | | | | | | | | |
| 01.05 05 03 | 1 | | | | | | | | | | | | | | | | | | | | | | | |
| 01.06 06 03 | | 1 | | | | | | | | | | | | | | | | | | | | | 1 | |
| 01.06 10 03 | | | 1 | | | | | | | | | | | | | | | | | | | | 2 | |
| 01.06 15 03 | | | | 1 | | | | | | | | | | | | | | | | | | | 2 | |
| 01.06 19 03 | | | | | 1 | | | | | | | | | | | | | | | | | | 2 | |
| 01.08 08 06 | | | | | 8 | 11 | 8 | 6 | 8 | | | | | | | | | | | | | | 2 | |
| 01.08 13 06 | | | | | 18 | 26 | 18 | 15 | 18 | | | | | | | | | | | | | | 2 | |
| 01.08 18 06 | | | | | 28 | 40 | 28 | 23 | 28 | | | | | | | | | | | | | | 2 | |
| 01.08 25 05 | | | | | 43 | 61 | 43 | 36 | 43 | | | | | | | | | | | | | | 2 | |
| 01.10 10 08 | | | | | 13 | 18 | 13 | 10 | 13 | | | | | | | | | | | | | | 2 | |
| 01.10 16 08 | | | | | 25 | 36 | 25 | 21 | 25 | | | | | | | | | | | | | | 2 | |
| 01.10 20 08 | | | | | 33 | 47 | 33 | 27 | 33 | | | | | | | | | | | | | | 2 | |
| 01.12 12 08 | | | | | | | | | | 16 | 13 | 10 | | | | | | | | | | | 5 | |
| 01.12 12 09 | | | | | | | | | | 16 | 13 | 10 | 8 | | | | | | | | | | 5 | |
| 01.12 22 08 | | | | | | | | | | 35 | 29 | 22 | 17 | | | | | | | | | | 13 | |
| 01.12 22 09 | | | | | | | | | | 35 | 29 | 22 | 17 | | | | | | | | | | 13 | |
| 01.12 22 12 | | | | | | | | | | 36 | 30 | 22 | 18 | | | | | | | | | | 13 | |
| 01.12 36 08 | | | | | | | | | | 63 | 52 | 39 | 31 | | | | | | | | | | 23 | |
| 01.14 14 09 | | | | | | | | | | 20 | 16 | 12 | 10 | | | | | | | | | | 6 | |
| 01.14 20 09 | | | | | | | | | | 32 | 26 | 20 | 16 | 13 | | | | | | | | | 11 | |
| 01.16 16 09 | | | | | | | | | | 23 | 19 | 14 | 11 | 9 | | | | | | | | | 8 | |
| 01.16 26 09 | | | | | | | | | | 43 | 36 | 27 | 21 | 18 | | | | | | | | | 16 | |
| 01.16 36 09 | | | | | | | | | | 63 | 52 | 39 | 31 | 26 | | | | | | | | | 23 | |
| 01.16 56 09 | | | | | | | | | | 103 | 86 | 64 | 51 | 43 | | | | | | | | | 38 | |
| 01.18 18 10 | | | | | | | | | | 28 | 23 | 17 | 14 | 11 | | | | | | | | | 8 | |
| 01.18 28 10 | | | | | | | | | | 47 | 39 | 29 | 23 | 19 | | | | | | | | | 17 | |
| 01.23 10 11 | | | | | | | | | | | 31 | 23 | 18 | 15 | | | | | | | | | 13 | |
| 01.23 20 11 | | | | | | | | | | 32* | 26* | 20* | 16* | 13* | 10 | 7 | | | | | | | 12 | |
| 01.23 20 18 | | | | | | | | | | 32* | 26* | 20* | 16* | 13* | 10 | 7 | | | | | | | 12 | |
| 01.23 28 11 | | | | | | | | | | 47* | 39* | 29* | 23* | 19* | 14 | 11 | | | | | | | 16 | |
| 01.23 33 11 | | | | | | | | | | 57* | 48* | 36* | 28* | 24* | 18 | 14 | | | | | | | 21 | |
| 01.23 33 18 | | | | | | | | | | 57* | 48* | 36* | 28* | 24* | 18 | 14 | | | | | | | 21 | |
| 01.23 40 11 | | | | | | | | | | 71* | 59* | 44* | 35* | 29* | 22* | 17 | | | | | | | 25 | |
| 01.23 40 23 | | | | | | | | | | 71* | 59* | 44* | 35* | 29* | 22* | 17 | 13 | 13 | | | | | 25 | |
| 01.23 60 11 | | | | | | | | | | 111* | 92* | 69* | 55* | 46* | 34* | 27 | | | | | | | 41 | |
| 01.31 40 11 | | | | | | | | | | 71** | 59** | 44** | 35** | 29** | 22* | 17 | | | | | | | 26 | |
| 01.31 40 14 | | | | | | | | | | 71** | 59** | 44** | 35** | 29** | 22* | 17 | | | | | | | 26 | |
| 01.31 40 18 | | | | | | | | | | 71** | 59** | 44** | 35** | 29** | 22* | 17 | 13 | 13 | | | | | 26 | |
| 01.31 40 23 | | | | | | | | | | 71** | 59** | 44** | 35** | 29** | 22* | 17 | 13 | 13 | | | | | 26 | |
| 01.31 60 11 | | | | | | | | | | 111** | 92** | 69** | 55** | 46** | 34* | 27 | | | | | | | 40 | |
| 01.31 60 18 | | | | | | | | | | 111** | 92** | 69** | 55** | 46** | 34* | 27 | 20 | 20 | | | | | 40 | |
| 01.60 60 20 | | | | | | | | | | 109** | 91** | 68** | 54** | 45** | 34** | 26** | 20** | 20** | 15 | 15 | | | 40 | |
| Field enclosure with integrated external fastening | | | | | | | | | | | | | | | | | | | | | | | | |
| 01.06 12 00 | | | | 1 | | | | | | | | | | | | | | | | | | | | |
| 01.06 19 00 | | | | | 1 | | | | | | | | | | | | | | | | | | | |

* 2 DIN rails possible = double number of terminals

** 3 DIN rails possible = triple number of terminals

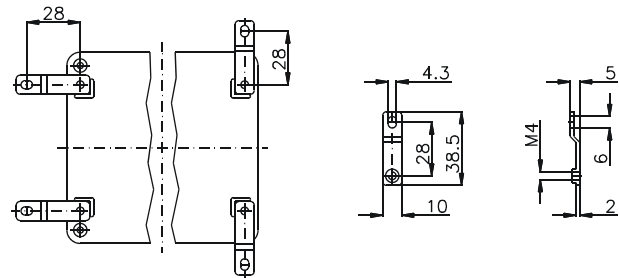
Accessories



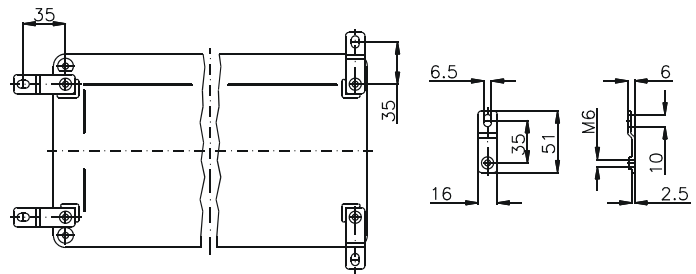
External brackets
set = 4 pcs

| Order No. | for enclosure |
|--------------------|---------------------------|
| 10.03 11 01 | 01.08 08 06 - 01.10 20 08 |
| 10.03 11 02 | 01.12 12 08 - 01.31 60 18 |

Type 10.03 11 01

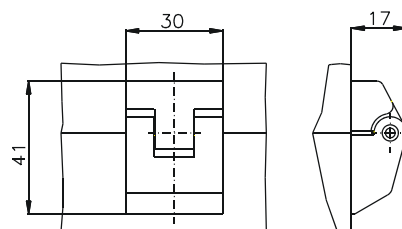


Type 10.03 11 02



External hinge
opening angle 150°
set = 2 pcs

Order No. **10.02 70 01**



Internal hinge
opening angle 95°
set = 2 pcs

Order No. **10.02 20 01**

Type: **01.06 10 03**

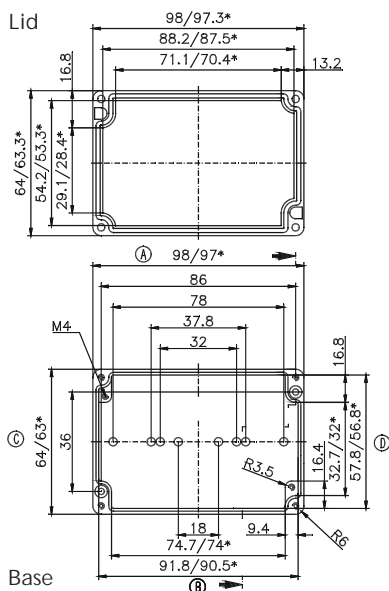
External dimensions: **64 x 98 x 34 mm**

Weight: **224 g**

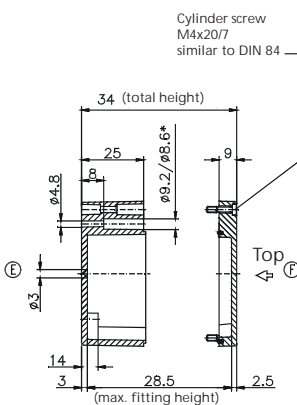
| | | | | | | | | | | | | | |
|-----------------------|---------------------------|---------------------|----------------------------------|----------------------------|---------------------|-------------|---------------------|----------------------------|------------------|-------------------|------------------------------|-------------------------------|------------|
| DIN rail length in mm | max. fitting length in mm | Earthing rail clamp | Mounting plate (thickness in mm) | External mounting brackets | External hinge* set | EMC version | Internal hinge* set | SWB / SBGL Corr.protection | Allen lid screws | Silicone lid seal | Sealable lid screws in steel | Turn bolt fastener on request | Quick lock |
| TS 15 | | | | | | | | | | | | | |
| 87.5 | | | | | | • | | • | • | • | • | | |

Maximum number of cable glands *to DIN 50262**

| M | Corner dim. | Side | | PG | Corner dim. | Side | |
|----|-------------|------|---|------|-------------|------|---|
| | | A | C | | | B | D |
| 12 | 17.25 | 4 | 1 | 7 | 17.25 | 4 | 1 |
| 16 | 25.30 | | | 9 | 21.85 | 3 | 1 |
| 20 | 27.60 | | | 11 | 25.30 | | |
| 25 | 37.95 | | | 13.5 | 27.60 | | |
| 32 | 48.30 | | | 16 | 31.05 | | |
| 40 | 60.95 | | | 21 | 37.95 | | |
| 50 | 69.00 | | | 29 | 48.30 | | |
| 63 | 74.75 | | | 36 | 60.95 | | |
| | | | | 42 | 69.00 | | |
| | | | | 48 | 74.75 | | |



* = Conical form tapering downwards
Free dimensions-tolerance to GTA 13/5 DIN 1688



Type: **01.06 12 00**

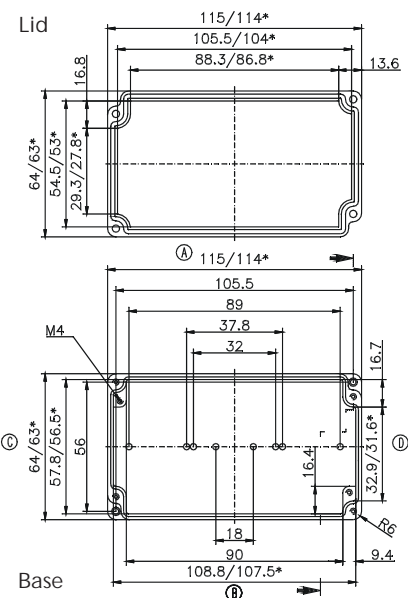
External dimensions: **64 x 115 x 34 mm**

Weight: **290 g**

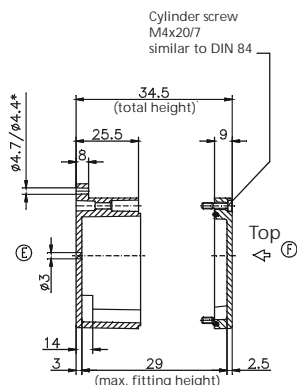
| | | | | | | | | | | | | | |
|-----------------------|---------------------------|---------------------|----------------------------------|----------------------------|---------------------|-------------|---------------------|----------------------------|------------------|-------------------|------------------------------|-------------------------------|------------|
| DIN rail length in mm | max. fitting length in mm | Earthing rail clamp | Mounting plate (thickness in mm) | External mounting brackets | External hinge* set | EMC version | Internal hinge* set | SWB / SBGL Corr.protection | Allen lid screws | Silicone lid seal | Sealable lid screws in steel | Turn bolt fastener on request | Quick lock |
| | | | | | | | | | | | | | |
| | | | | | | • | | • | • | • | • | | |

Maximum number of cable glands *to DIN 50262**

| M | Corner dim. | Side | | PG | Corner dim. | Side | |
|----|-------------|------|---|------|-------------|------|---|
| | | A | C | | | B | D |
| 12 | 17.25 | 5 | 1 | 7 | 17.25 | 5 | 1 |
| 16 | 25.30 | | | 9 | 21.85 | 4 | 1 |
| 20 | 27.60 | | | 11 | 25.30 | | |
| 25 | 37.95 | | | 13.5 | 27.60 | | |
| 32 | 48.30 | | | 16 | 31.05 | | |
| 40 | 60.95 | | | 21 | 37.95 | | |
| 50 | 69.00 | | | 29 | 48.30 | | |
| 63 | 74.75 | | | 36 | 60.95 | | |
| | | | | 42 | 69.00 | | |
| | | | | 48 | 74.75 | | |



* = Conical form tapering downwards
Free dimensions-tolerance to GTA 13/5 DIN 1688



* Please quote mounting side

Type: **01.06 19 00**

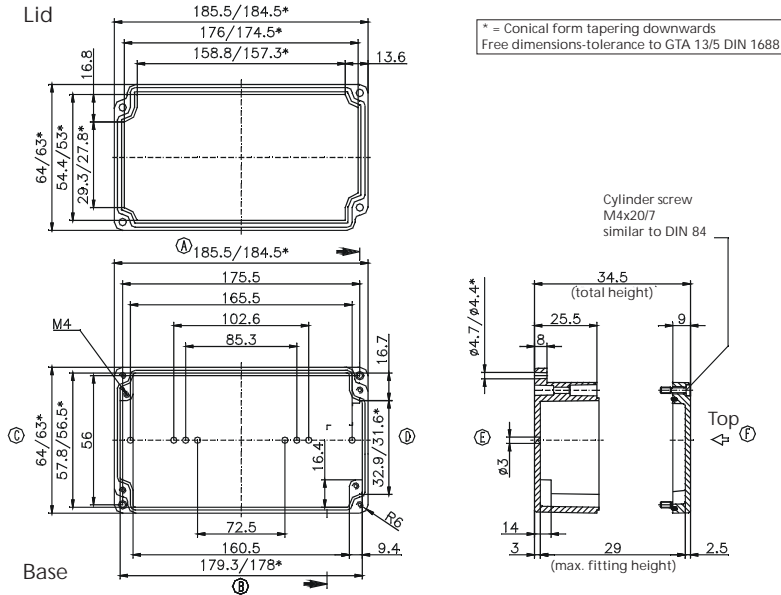
External dimensions: **64 x 185 x 34 mm**

Weight: **420 g**

| | | | | | | | | | | | | | |
|-----------------------|---------------------------|---------------------|----------------------------------|----------------------------|---------------------|-------------|---------------------|----------------------------------|------------------|-------------------|------------------------------|-------------------------------|------------|
| DIN rail length in mm | max. fitting length in mm | Earthing rail clamp | Mounting plate (thickness in mm) | External mounting brackets | External hinge* set | EMC version | Internal hinge* set | SWB / SBG / SBGL Corr.protection | Allen lid screws | Silicone lid seal | Sealable lid screws in steel | Turn bolt fastener on request | Quick lock |
| TS 15 | | | | | | | | | | | | | |
| 174 | | | | | | • | | • | • | • | • | | |

Maximum number of cable glands *to DIN 50262**

| M | Corner dim. | Side | | PG | Corner dim. | Side | |
|----|-------------|------|-----|------|-------------|------|-----|
| | | A/B | C/D | | | A/B | C/D |
| 12 | 17.25 | 10 | 1 | 7 | 17.25 | 10 | 1 |
| 16 | 25.30 | | | 9 | 21.85 | 7 | 1 |
| 20 | 27.60 | | | 11 | 25.30 | | |
| 25 | 37.95 | | | 13.5 | 27.60 | | |
| 32 | 48.30 | | | 16 | 31.05 | | |
| 40 | 60.95 | | | 21 | 37.95 | | |
| 50 | 69.00 | | | 29 | 48.30 | | |
| 63 | 74.75 | | | 36 | 60.95 | | |
| | | | | 42 | 69.00 | | |
| | | | | 48 | 74.75 | | |



Type: **01.08 08 06**

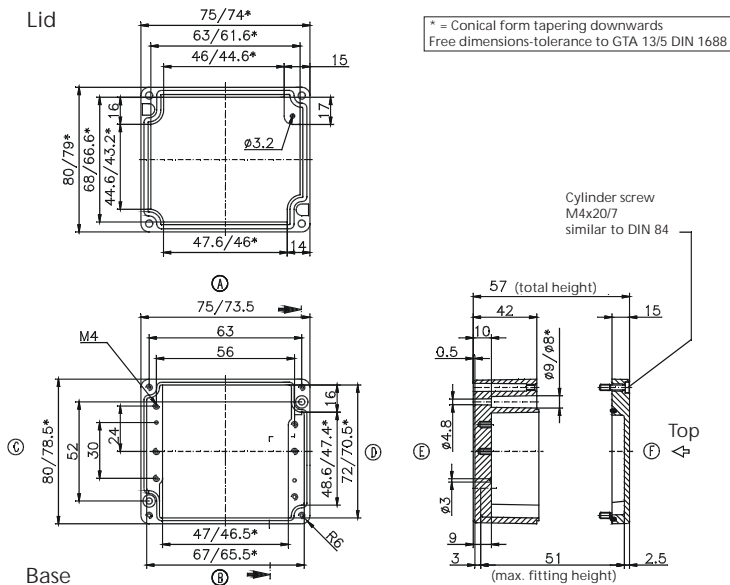
External dimensions: **80 x 75 x 57 mm**

Weight: **360 g**

| | | | | | | | | | | | | | |
|-----------------------|---------------------------|---------------------|----------------------------------|----------------------------|---------------------|-------------|---------------------|----------------------------------|------------------|-------------------|------------------------------|-------------------------------|------------|
| DIN rail length in mm | max. fitting length in mm | Earthing rail clamp | Mounting plate (thickness in mm) | External mounting brackets | External hinge* set | EMC version | Internal hinge* set | SWB / SBG / SBGL Corr.protection | Allen lid screws | Silicone lid seal | Sealable lid screws in steel | Turn bolt fastener on request | Quick lock |
| TS 15 | | | | | | | | | | | | | |
| 63 | 46 | | 1.5 | • | | • | | • | • | • | • | | • |

Maximum number of cable glands *to DIN 50262**

| M | Corner dim. | Side | | PG | Corner dim. | Side | |
|----|-------------|------|-----|------|-------------|------|-----|
| | | A/B | C/D | | | A/B | C/D |
| 12 | 17.25 | 3 | 5 | 7 | 17.25 | 2 | 5 |
| 16 | 25.30 | 1 | 2 | 9 | 21.85 | 1 | 2 |
| 20 | 27.60 | 1 | 2 | 11 | 25.30 | 1 | 2 |
| 25 | 37.95 | 1 | 1 | 13.5 | 27.60 | 1 | 2 |
| 32 | 48.30 | | | 16 | 31.05 | 1 | 1 |
| 40 | 60.95 | | | 21 | 37.95 | | |
| 50 | 69.00 | | | 29 | 48.30 | | |
| 63 | 74.75 | | | 36 | 60.95 | | |
| | | | | 42 | 69.00 | | |
| | | | | 48 | 74.75 | | |



* Please quote mounting side

Type: **01.08 25 05**

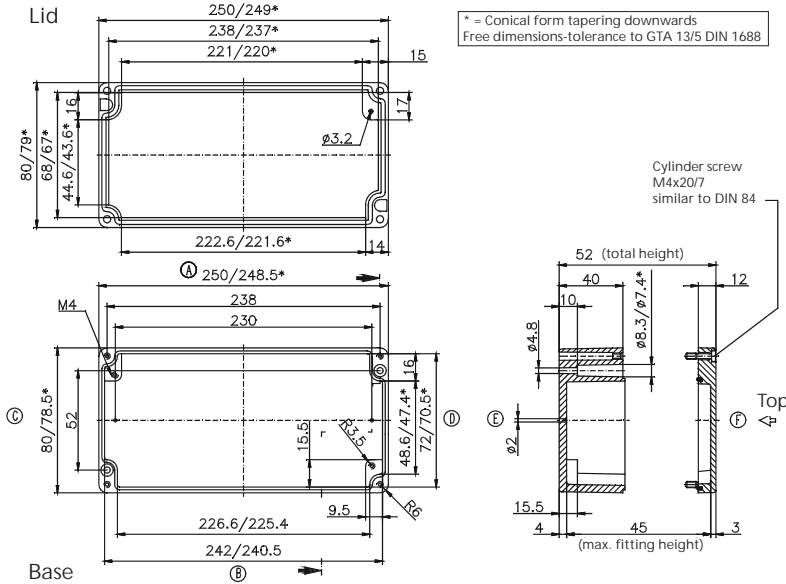
External dimensions: **80 x 250 x 52 mm**

Weight: **818 g**

| | | | | | | | | | | | | | |
|-----------------------|---------------------------|---------------------|----------------------------------|----------------------------|---------------------|-------------|---------------------|---------------------------|------------------|-------------------|------------------------------|-------------------------------|------------|
| DIN rail length in mm | max. fitting length in mm | Earthing rail clamp | Mounting plate (thickness in mm) | External mounting brackets | External hinge* set | EMC version | Internal hinge* set | SWB / SBGL Cor.protection | Allen lid screws | Silicone lid seal | Sealable lid screws in steel | Turn bolt fastener on request | Quick lock |
| TS 15 | 238 | 220 | | | • | • | | • | • | • | • | | • |

Maximum number of cable glands *to DIN 50262**

| M | Corner dim. | Side | | PG | Corner dim. | Side | |
|----|-------------|------|---|------|-------------|-------|---|
| | | A | C | | | B | D |
| 12 | 17.25 | 23 | 6 | 7 | 17.25 | 22 | 6 |
| 16 | 25.30 | 9 | 2 | 9 | 21.85 | 15 | 3 |
| 20 | 27.60 | 8 | 2 | 11 | 25.30 | 9 | 2 |
| 25 | 37.95 | 5 | 1 | 13.5 | 27.60 | 8 | 2 |
| 32 | 48.30 | | | | 31.05 | 6 | 1 |
| 40 | 60.95 | | | | 37.95 | 5 | 1 |
| 50 | 69.00 | | | | 48.30 | | |
| 63 | 74.75 | | | | 60.95 | | |
| | | | | | 42 | 69.00 | |
| | | | | | 48 | 74.75 | |



Type: **01.10 10 08**

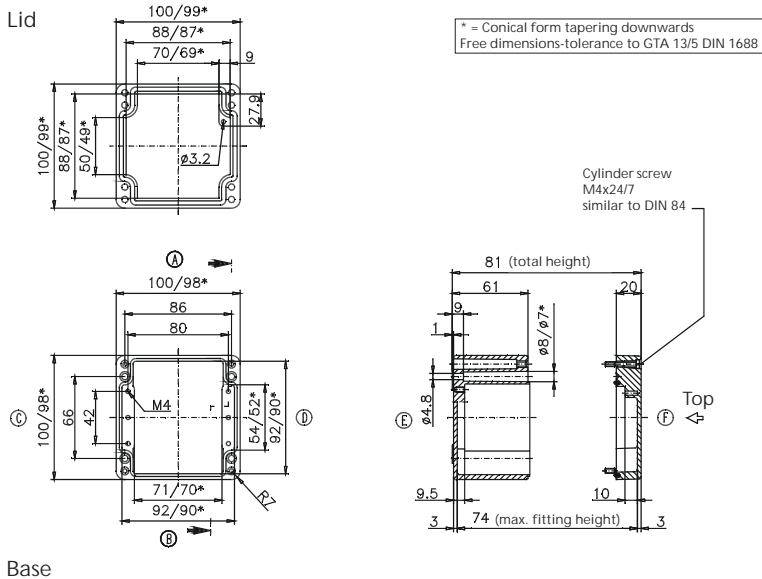
External dimensions: **100 x 100 x 81 mm**

Weight: **800 g**

| | | | | | | | | | | | | | |
|-----------------------|---------------------------|---------------------|----------------------------------|----------------------------|---------------------|-------------|---------------------|---------------------------|------------------|-------------------|------------------------------|-------------------------------|------------|
| DIN rail length in mm | max. fitting length in mm | Earthing rail clamp | Mounting plate (thickness in mm) | External mounting brackets | External hinge* set | EMC version | Internal hinge* set | SWB / SBGL Cor.protection | Allen lid screws | Silicone lid seal | Sealable lid screws in steel | Turn bolt fastener on request | Quick lock |
| TS 15/35 | 87,5 | 70 | 1.5 | • | • | • | | • | • | • | • | | • |

Maximum number of cable glands *to DIN 50262**

| M | Corner dim. | Side | | PG | Corner dim. | Side | |
|----|-------------|------|---|------|-------------|-------|---|
| | | A | C | | | B | D |
| 12 | 17.25 | 12 | 9 | 7 | 17.25 | 12 | 9 |
| 16 | 25.30 | 6 | 4 | 9 | 21.85 | 8 | 5 |
| 20 | 27.60 | 5 | 3 | 11 | 25.30 | 5 | 4 |
| 25 | 37.95 | 2 | 1 | 13.5 | 27.60 | 5 | 3 |
| 32 | 48.30 | 1 | 1 | 16 | 31.05 | 4 | 2 |
| 40 | 60.95 | | | | 37.95 | 2 | 1 |
| 50 | 69.00 | | | | 48.30 | 1 | 1 |
| 63 | 74.75 | | | | 60.95 | | |
| | | | | | 42 | 69.00 | |
| | | | | | 48 | 74.75 | |



* Please quote mounting side

Type: **01.10 16 08**

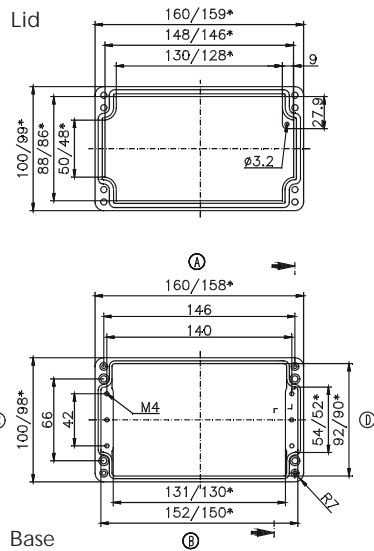
External dimensions: **100 x 160 x 81 mm**

Weight: **870 g**

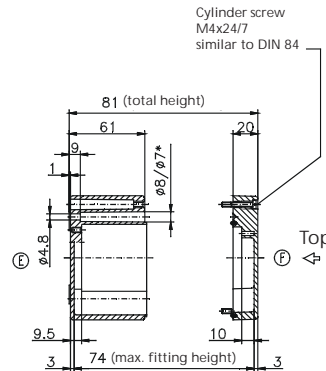
| | | | | | | | | | | | | | |
|-----------------------|---------------------------|---------------------|----------------------------------|----------------------------|---------------------|-------------|---------------------|----------------------------------|------------------|-------------------|------------------------------|-------------------------------|------------|
| DIN rail length in mm | max. fitting length in mm | Earthing rail clamp | Mounting plate (thickness in mm) | External mounting brackets | External hinge* set | EMC version | Internal hinge* set | SWB / SBG / SBGL Corr.protection | Allen lid screws | Silicone lid seal | Sealable lid screws in steel | Turn bolt fastener on request | Quick lock |
| TS 15/35 | | | | | | | | | | | | | |
| 148 | 130 | | 1.5 | • | • | • | | • | • | | • | | • |

Maximum number of cable glands *to DIN 50262**

| M | Corner dim. | Side | | PG | Corner dim. | Side | |
|----|-------------|------|-----|------|-------------|------|-----|
| | | A/B | C/D | | | A/B | C/D |
| 12 | 17.25 | 24 | 9 | 7 | 17.25 | 22 | 8 |
| 16 | 25.30 | 11 | 4 | 9 | 21.85 | 17 | 5 |
| 20 | 27.60 | 10 | 3 | 11 | 25.30 | 11 | 4 |
| 25 | 37.95 | 4 | 1 | 13.5 | 27.60 | 10 | 3 |
| 32 | 48.30 | 3 | 1 | 16 | 31.05 | 8 | 2 |
| 40 | 60.95 | | | 21 | 37.95 | 4 | 1 |
| 50 | 69.00 | | | 29 | 48.30 | 3 | 1 |
| 63 | 74.75 | | | 36 | 60.95 | | |
| | | | | 42 | 69.00 | | |
| | | | | 48 | 74.75 | | |



* = Conical form tapering downwards
Free dimensions-tolerance to GTA 13/5 DIN 1688



Type: **01.10 20 08**

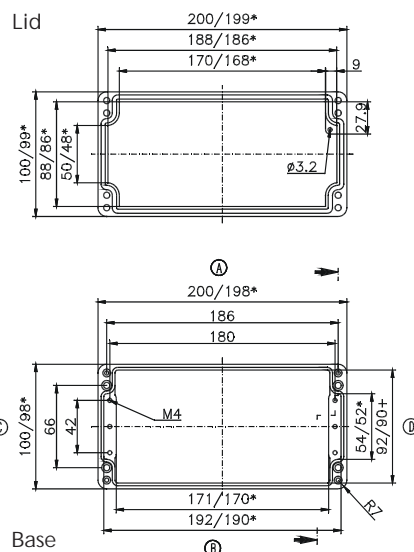
External dimensions: **100 x 200 x 81 mm**

Weight: **1200 g**

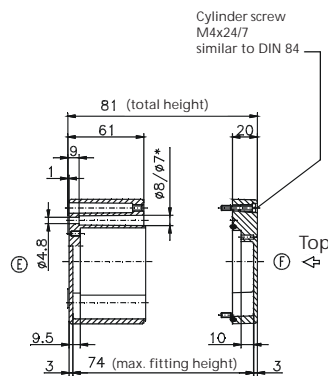
| | | | | | | | | | | | | | |
|-----------------------|---------------------------|---------------------|----------------------------------|----------------------------|---------------------|-------------|---------------------|----------------------------------|------------------|-------------------|------------------------------|-------------------------------|------------|
| DIN rail length in mm | max. fitting length in mm | Earthing rail clamp | Mounting plate (thickness in mm) | External mounting brackets | External hinge* set | EMC version | Internal hinge* set | SWB / SBG / SBGL Corr.protection | Allen lid screws | Silicone lid seal | Sealable lid screws in steel | Turn bolt fastener on request | Quick lock |
| TS 15/35 | | | | | | | | | | | | | |
| 188 | 170 | | 1.5 | • | • | • | | • | • | • | • | | • |

Maximum number of cable glands *to DIN 50262**

| M | Corner dim. | Side | | PG | Corner dim. | Side | |
|----|-------------|------|-----|------|-------------|------|-----|
| | | A/B | C/D | | | A/B | C/D |
| 12 | 17.25 | 32 | 9 | 7 | 17.25 | 30 | 9 |
| 16 | 25.30 | 14 | 4 | 9 | 21.85 | 21 | 5 |
| 20 | 27.60 | 12 | 3 | 11 | 25.30 | 12 | 4 |
| 25 | 37.95 | 5 | 1 | 13.5 | 27.60 | 12 | 3 |
| 32 | 48.30 | 3 | 1 | 16 | 31.05 | 10 | 2 |
| 40 | 60.95 | | | 21 | 37.95 | 5 | 1 |
| 50 | 69.00 | | | 29 | 48.30 | 3 | 1 |
| 63 | 74.75 | | | 36 | 60.95 | | |
| | | | | 42 | 69.00 | | |
| | | | | 48 | 74.75 | | |



* = Conical form tapering downwards
Free dimensions-tolerance to GTA 13/5 DIN 1688



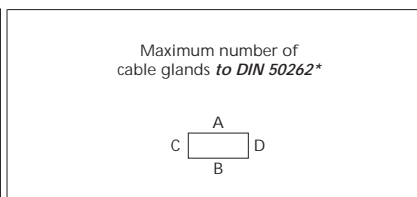
* Please quote mounting side

Type: **01.12 12 08**

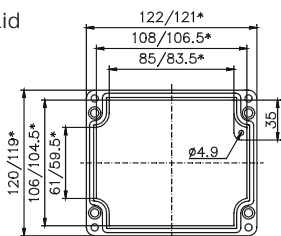
External dimensions: **120 x 122 x 81 mm**

Weight: **1044 g**

| | | | | | | | | | | | | | |
|-----------------------|---------------------------|---------------------|----------------------------------|----------------------------|---------------------|-------------|---------------------|----------------------------------|------------------|-------------------|------------------------------|-------------------------------|------------|
| DIN rail length in mm | max. fitting length in mm | Earthing rail clamp | Mounting plate (thickness in mm) | External mounting brackets | External hinge* set | EMC version | Internal hinge* set | SWB / SBG / SBGL Corr.protection | Allen lid screws | Silicone lid seal | Sealable lid screws in steel | Turn bolt fastener on request | Quick lock |
| TS 35 | 85 | 5 | 1.5 | • | • | • | | • | • | • | • | | • |

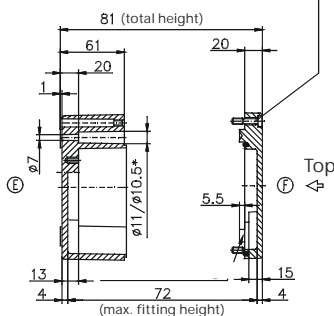
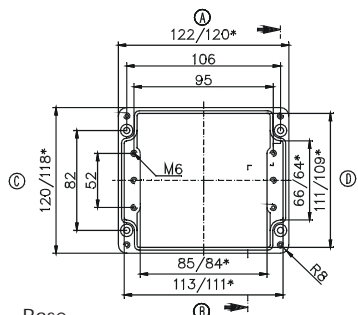


Lid



* = Conical form tapering downwards
Free dimensions-tolerance to GTA 13/5 DIN 1688

Cylinder screw M6x25/10 similar to DIN 84



Base

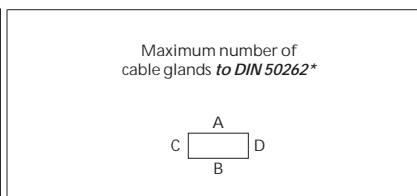
| M | Corner dim. | Side | | PG | Corner dim. | Side | |
|----|-------------|------|-----|------|-------------|------|-----|
| | | A/B | C/D | | | A/B | C/D |
| 12 | 17.25 | 10 | 11 | 7 | 17.25 | 10 | 11 |
| 16 | 25.30 | 5 | 5 | 9 | 21.85 | 8 | 6 |
| 20 | 27.60 | 4 | 4 | 11 | 25.30 | 5 | 4 |
| 25 | 37.95 | 2 | 2 | 13.5 | 27.60 | 4 | 3 |
| 32 | 48.30 | 1 | 1 | 16 | 31.05 | 3 | 2 |
| 40 | 60.95 | | | 21 | 37.95 | 2 | 2 |
| 50 | 69.00 | | | 29 | 48.30 | 2 | 1 |
| 63 | 74.75 | | | 36 | 60.95 | | |
| | | | | 42 | 69.00 | | |
| | | | | 48 | 74.75 | | |

Type: **01.12 12 09**

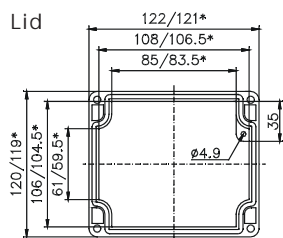
External dimensions: **120 x 122 x 91 mm**

Weight: **1170 g**

| | | | | | | | | | | | | | |
|-----------------------|---------------------------|---------------------|----------------------------------|----------------------------|---------------------|-------------|---------------------|---------------------------------|------------------|-------------------|------------------------------|-------------------------------|------------|
| DIN rail length in mm | max. fitting length in mm | Earthing rail clamp | Mounting plate (thickness in mm) | External mounting brackets | External hinge* set | EMC version | Internal hinge* set | SWB / SBG / SBGL Cor.protection | Allen lid screws | Silicone lid seal | Sealable lid screws in steel | Turn bolt fastener on request | Quick lock |
| TS 35 | 85 | 5 | 1.5 | • | • | • | | • | • | • | • | | • |

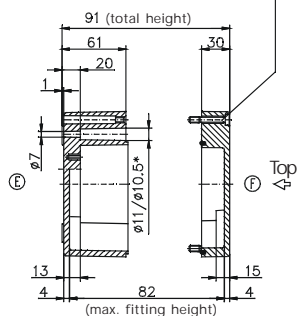
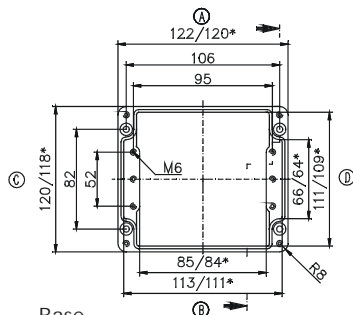


Lid



* = Conical form tapering downwards
Free dimensions-tolerance to GTA 13/5 DIN 1688

Cylinder screw M6x25/10 similar to DIN 84



Base

| M | Corner dim. | Side | | PG | Corner dim. | Side | |
|----|-------------|------|-----|------|-------------|------|-----|
| | | A/B | C/D | | | A/B | C/D |
| 12 | 17.25 | 10 | 11 | 7 | 17.25 | 10 | 11 |
| 16 | 25.30 | 5 | 5 | 9 | 21.85 | 8 | 6 |
| 20 | 27.60 | 4 | 4 | 11 | 25.30 | 5 | 4 |
| 25 | 37.95 | 2 | 2 | 13.5 | 27.60 | 4 | 3 |
| 32 | 48.30 | 1 | 1 | 16 | 31.05 | 3 | 2 |
| 40 | 60.95 | | | 21 | 37.95 | 2 | 2 |
| 50 | 69.00 | | | 29 | 48.30 | 1 | 1 |
| 63 | 74.75 | | | 36 | 60.95 | | |
| | | | | 42 | 69.00 | | |
| | | | | 48 | 74.75 | | |

* Please quote mounting side

Type: **01.12 22 08**

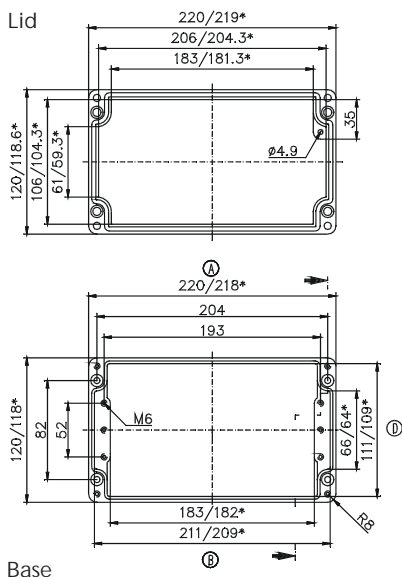
External dimensions: **120 x 220 x 81 mm**

Weight: **1445 g**

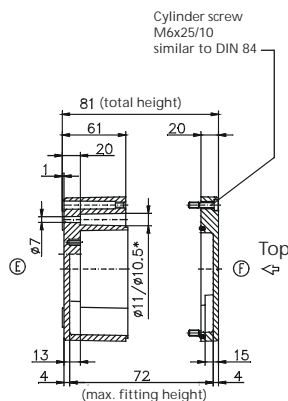
| | | | | | | | | | | | | | |
|-----------------------|---------------------------|---------------------|----------------------------------|----------------------------|---------------------|-------------|---------------------|----------------------------|------------------|-------------------|------------------------------|-------------------------------|------------|
| DIN rail length in mm | max. fitting length in mm | Earthing rail clamp | Mounting plate (thickness in mm) | External mounting brackets | External hinge* set | EMC version | Internal hinge* set | SWB / SBGL Corr.protection | Allen lid screws | Silicone lid seal | Sealable lid screws in steel | Turn bolt fastener on request | Quick lock |
| TS 35 | 183 | 13 | 1.5 | • | • | • | | • | • | • | • | | • |

Maximum number of cable glands *to DIN 50262**

| M | Corner dim. | Side | | PG | Corner dim. | Side | |
|----|-------------|------|-----|------|-------------|------|-----|
| | | A/B | C/D | | | A/B | C/D |
| 12 | 17.25 | 30 | 11 | 7 | 17.25 | 30 | 11 |
| 16 | 25.30 | 12 | 6 | 9 | 21.85 | 20 | 6 |
| 20 | 27.60 | 12 | 4 | 11 | 25.30 | 12 | 4 |
| 25 | 37.95 | 5 | 2 | 13.5 | 27.60 | 12 | 4 |
| 32 | 48.30 | 3 | 1 | 16 | 31.05 | 10 | 2 |
| 40 | 60.95 | | | 21 | 37.95 | 5 | 2 |
| 50 | 69.00 | | | 29 | 48.30 | 3 | 1 |
| 63 | 74.75 | | | 36 | 60.95 | | |
| | | | | 42 | 69.00 | | |
| | | | | 48 | 74.75 | | |



* = Conical form tapering downwards
Free dimensions-tolerance to GTA 13/5 DIN 1688



Type: **01.12 22 09**

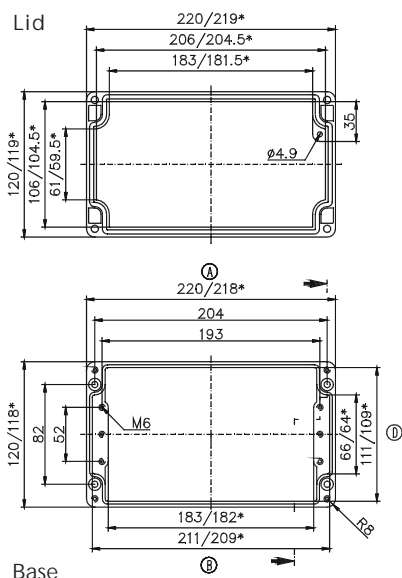
External dimensions: **120 x 220 x 91 mm**

Weight: **1800 g**

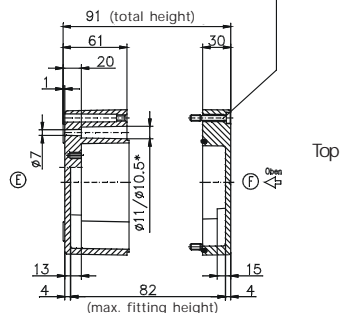
| | | | | | | | | | | | | | |
|-----------------------|---------------------------|---------------------|----------------------------------|----------------------------|---------------------|-------------|---------------------|---------------------------|------------------|-------------------|------------------------------|-------------------------------|------------|
| DIN rail length in mm | max. fitting length in mm | Earthing rail clamp | Mounting plate (thickness in mm) | External mounting brackets | External hinge* set | EMC version | Internal hinge* set | SWB / SBGL Cor.protection | Allen lid screws | Silicone lid seal | Sealable lid screws in steel | Turn bolt fastener on request | Quick lock |
| TS 35 | 183 | 13 | 1.5 | • | • | • | | • | • | • | • | | • |

Maximum number of cable glands *to DIN 50262**

| M | Corner dim. | Side | | PG | Corner dim. | Side | |
|----|-------------|------|-----|------|-------------|------|-----|
| | | A/B | C/D | | | A/B | C/D |
| 12 | 17.25 | 34 | 11 | 7 | 17.25 | 34 | 11 |
| 16 | 25.30 | 15 | 6 | 9 | 21.85 | 24 | 6 |
| 20 | 27.60 | 14 | 4 | 11 | 25.30 | 15 | 4 |
| 25 | 37.95 | 6 | 2 | 13.5 | 27.60 | 14 | 4 |
| 32 | 48.30 | 4 | 1 | 16 | 31.05 | 11 | 2 |
| 40 | 60.95 | | | 21 | 37.95 | 6 | 2 |
| 50 | 69.00 | | | 29 | 48.30 | 4 | 1 |
| 63 | 74.75 | | | 36 | 60.95 | | |
| | | | | 42 | 69.00 | | |
| | | | | 48 | 74.75 | | |



* = Conical form tapering downwards
Free dimensions-tolerance to GTA 13/5 DIN 1688



* Please quote mounting side

Type: **01.12 22 12**

External dimensions: **120 x 220 x 118 mm**

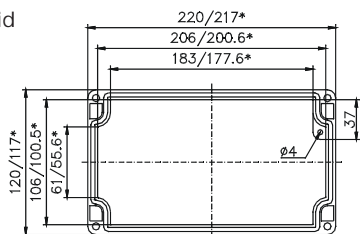
Weight: **1410 g**

| | | | | | | | | | | | | | |
|-----------------------|---------------------------|---------------------|----------------------------------|----------------------------|---------------------|-------------|---------------------|----------------------------|------------------|-------------------|------------------------------|-------------------------------|------------|
| DIN rail length in mm | max. fitting length in mm | Earthing rail clamp | Mounting plate (thickness in mm) | External mounting brackets | External hinge* set | EMC version | Internal hinge* set | SWB / SBGL Corr.protection | Allen lid screws | Silicone lid seal | Sealable lid screws in steel | Turn bolt fastener on request | Quick lock |
| TS 35 | 208 | 183 | 13 | 1.5 | • | • | • | • | • | • | • | • | • |

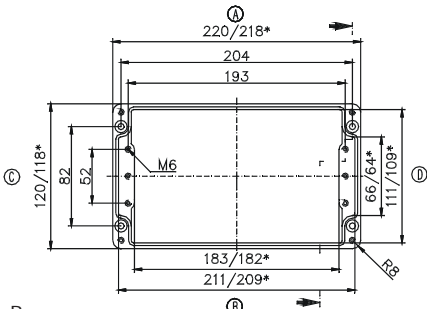
Maximum number of cable glands *to DIN 50262**

| M | Corner dim. | Side | | PG | Corner dim. | Side | |
|----|-------------|------|-----|------|-------------|------|-----|
| | | A/B | C/D | | | A/B | C/D |
| 12 | 17.25 | 34 | 11 | 7 | 17.25 | 34 | 11 |
| 16 | 25.30 | 15 | 6 | 9 | 21.85 | 24 | 6 |
| 20 | 27.60 | 14 | 4 | 11 | 25.30 | 15 | 4 |
| 25 | 37.95 | 6 | 2 | 13.5 | 27.60 | 14 | 4 |
| 32 | 48.30 | 4 | 1 | 16 | 31.05 | 11 | 2 |
| 40 | 60.95 | | | 21 | 37.95 | 6 | 2 |
| 50 | 69.00 | | | 29 | 48.30 | 4 | 1 |
| 63 | 74.75 | | | 36 | 60.95 | | |
| | | | | 42 | 69.00 | | |
| | | | | 48 | 74.75 | | |

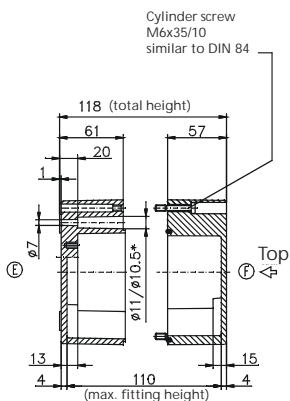
Lid



* = Conical form tapering downwards
Free dimensions-tolerance to GTA 13/5 DIN 1688



Base



Type: **01.12 36 08**

External dimensions: **120 x 360 x 81 mm**

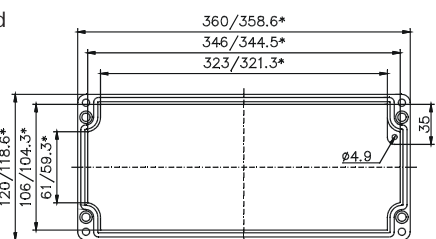
Weight: **2100 g**

| | | | | | | | | | | | | | |
|-----------------------|---------------------------|---------------------|----------------------------------|----------------------------|---------------------|-------------|---------------------|----------------------------|------------------|-------------------|------------------------------|-------------------------------|------------|
| DIN rail length in mm | max. fitting length in mm | Earthing rail clamp | Mounting plate (thickness in mm) | External mounting brackets | External hinge* set | EMC version | Internal hinge* set | SWB / SBGL Corr.protection | Allen lid screws | Silicone lid seal | Sealable lid screws in steel | Turn bolt fastener on request | Quick lock |
| TS 35 | 343 | 323 | 23 | 1.5 | • | • | • | • | • | • | • | • | • |

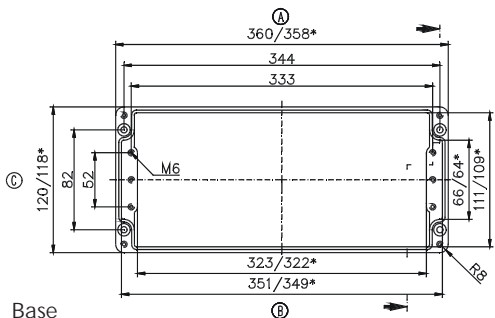
Maximum number of cable glands *to DIN 50262**

| M | Corner dim. | Side | | PG | Corner dim. | Side | |
|----|-------------|------|-----|------|-------------|------|-----|
| | | A/B | C/D | | | A/B | C/D |
| 12 | 17.25 | 58 | 11 | 7 | 17.25 | 58 | 11 |
| 16 | 25.30 | 26 | 5 | 9 | 21.85 | 41 | 6 |
| 20 | 27.60 | 24 | 4 | 11 | 25.30 | 26 | 4 |
| 25 | 37.95 | 10 | 2 | 13.5 | 27.60 | 24 | 3 |
| 32 | 48.30 | 7 | 1 | 16 | 31.05 | 20 | 2 |
| 40 | 60.95 | | | 21 | 37.95 | 10 | 2 |
| 50 | 69.00 | | | 29 | 48.30 | 7 | 1 |
| 63 | 74.75 | | | 36 | 60.95 | | |
| | | | | 42 | 69.00 | | |
| | | | | 48 | 74.75 | | |

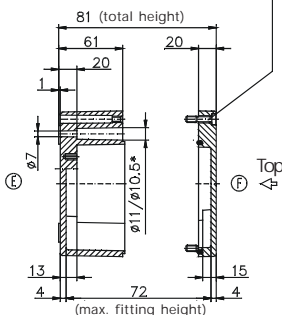
Lid



* = Conical form tapering downwards
Free dimensions-tolerance to GTA 13/5 DIN 1688



Base



* Please quote mounting side

Type: **01.14 14 09**

External dimensions: **140 x 140 x 91 mm**

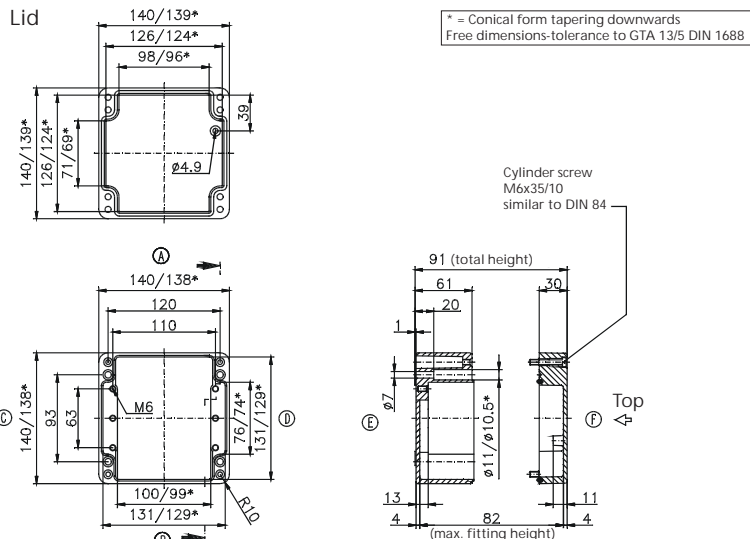
Weight: **1470 g**

| | | | | | | | | | | | | | |
|-----------------------|---------------------------|---------------------|----------------------------------|----------------------------|---------------------|-------------|---------------------|----------------------------------|------------------|-------------------|------------------------------|-------------------------------|------------|
| DIN rail length in mm | max. fitting length in mm | Earthing rail clamp | Mounting plate (thickness in mm) | External mounting brackets | External hinge* set | EMC version | Internal hinge* set | SWB / SBG / SBGL Corr.protection | Allen lid screws | Silicone lid seal | Sealable lid screws in steel | Turn bolt fastener on request | Quick lock |
| TS 35 | | | | | | | | | | | | | |
| 126 | 100 | 6 | 1.5 | • | • | • | | • | • | • | • | | • |

Maximum number of cable glands to DIN 50262*

| M | Corner dim. | Side | | PG | Corner dim. | Side | |
|----|-------------|------|-----|------|-------------|------|-----|
| | | A/B | C/D | | | A/B | C/D |
| 12 | 17.25 | 18 | 12 | 7 | 17.25 | 18 | 12 |
| 16 | 25.30 | 8 | 6 | 9 | 21.85 | 12 | 6 |
| 20 | 27.60 | 8 | 4 | 11 | 25.30 | 8 | 5 |
| 25 | 37.95 | 3 | 2 | 13.5 | 27.60 | 8 | 4 |
| 32 | 48.30 | 2 | 1 | 16 | 31.05 | 6 | 3 |
| 40 | 60.95 | | | 21 | 37.95 | 3 | 2 |
| 50 | 69.00 | | | 29 | 48.30 | 2 | 1 |
| 63 | 74.75 | | | 36 | 60.95 | | |
| | | | | 42 | 69.00 | | |
| | | | | 48 | 74.75 | | |

Lid



Base

Type: **01.14 20 09**

External dimensions: **140 x 200 x 91 mm**

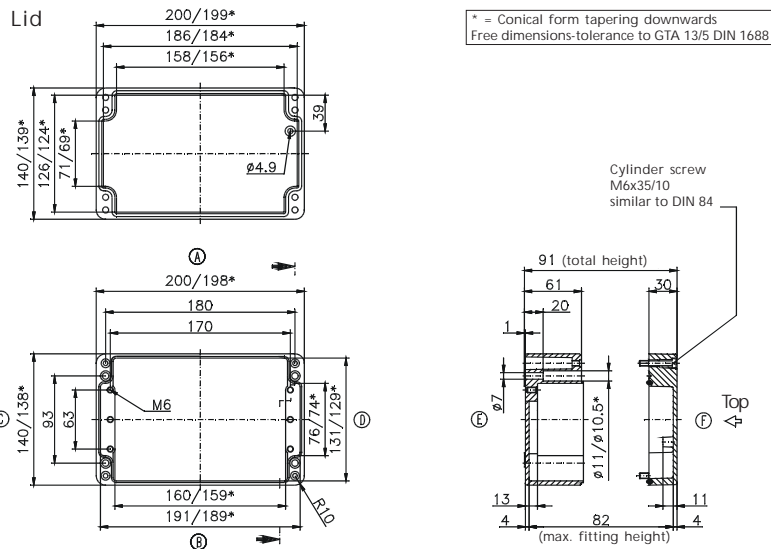
Weight: **1760 g**

| | | | | | | | | | | | | | |
|-----------------------|---------------------------|---------------------|----------------------------------|----------------------------|---------------------|-------------|---------------------|----------------------------------|------------------|-------------------|------------------------------|-------------------------------|------------|
| DIN rail length in mm | max. fitting length in mm | Earthing rail clamp | Mounting plate (thickness in mm) | External mounting brackets | External hinge* set | EMC version | Internal hinge* set | SWB / SBG / SBGL Corr.protection | Allen lid screws | Silicone lid seal | Sealable lid screws in steel | Turn bolt fastener on request | Quick lock |
| TS 35 | | | | | | | | | | | | | |
| 186 | 160 | 12 | 1.5 | • | • | • | | • | • | • | • | | • |

Maximum number of cable glands to DIN 50262*

| M | Corner dim. | Side | | PG | Corner dim. | Side | |
|----|-------------|------|-----|------|-------------|------|-----|
| | | A/B | C/D | | | A/B | C/D |
| 12 | 17.25 | 28 | 12 | 7 | 17.25 | 28 | 12 |
| 16 | 25.30 | 12 | 6 | 9 | 21.85 | 20 | 6 |
| 20 | 27.60 | 12 | 4 | 11 | 25.30 | 12 | 6 |
| 25 | 37.95 | 5 | 2 | 13.5 | 27.60 | 12 | 4 |
| 32 | 48.30 | 3 | 1 | 16 | 31.05 | 10 | 3 |
| 40 | 60.95 | | | 21 | 37.95 | 5 | 2 |
| 50 | 69.00 | | | 29 | 48.30 | 3 | 1 |
| 63 | 74.75 | | | 36 | 60.95 | | |
| | | | | 42 | 69.00 | | |
| | | | | 48 | 74.75 | | |

Lid



Base

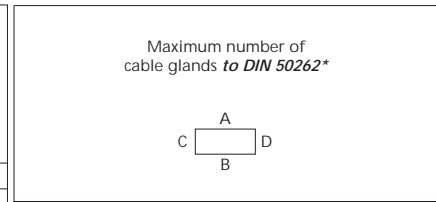
* Please quote mounting side

Type: **01.16 16 09**

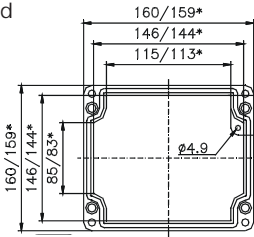
External dimensions: **160 x 160 x 91 mm**

Weight: **1760 g**

| | | | | | | | | | | | | | |
|-----------------------|---------------------------|---------------------|----------------------------------|----------------------------|---------------------|-------------|---------------------|----------------------------------|------------------|-------------------|------------------------------|-------------------------------|------------|
| DIN rail length in mm | max. fitting length in mm | Earthing rail clamp | Mounting plate (thickness in mm) | External mounting brackets | External hinge* set | EMC version | Internal hinge* set | SWB / SBG / SBGL Corr.protection | Allen lid screws | Silicone lid seal | Sealable lid screws in steel | Turn bolt fastener on request | Quick lock |
| TS 35 | 144 | 120 | 8 | 1.5 | • | • | • | • | • | • | • | • | • |

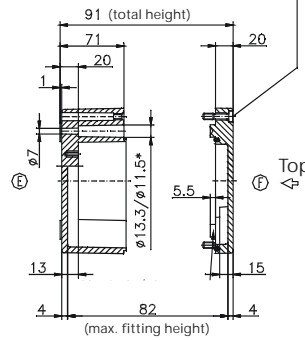


Lid

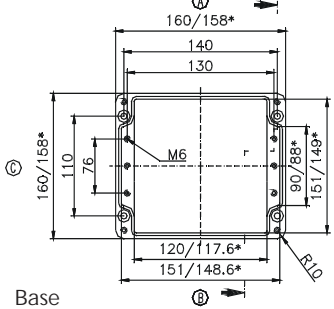


* = Conical form tapering downwards
Free dimensions-tolerance to GTA 13/5 DIN 1688

Cylinder screw
M6x25/10
similar to DIN 84



Base



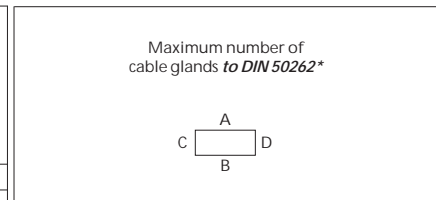
| M | Corner dim. | Side | | PG | Corner dim. | Side | |
|----|-------------|------|----|------|-------------|------|----|
| | | A | C | | | B | D |
| 12 | 17.25 | 26 | 16 | 7 | 17.25 | 26 | 16 |
| 16 | 25.30 | 12 | 8 | 9 | 21.85 | 15 | 11 |
| 20 | 27.60 | 9 | 6 | 11 | 25.30 | 12 | 6 |
| 25 | 37.95 | 5 | 3 | 13.5 | 27.60 | 9 | 6 |
| 32 | 48.30 | 3 | 2 | 16 | 31.05 | 8 | 5 |
| 40 | 60.95 | 2 | 1 | 21 | 37.95 | 5 | 3 |
| 50 | 69.00 | 2 | | 29 | 48.30 | 2 | 2 |
| 63 | 74.75 | | | 36 | 60.95 | 2 | 1 |
| | | | | 42 | 69.00 | 1 | |
| | | | | 48 | 74.75 | | |

Type: **01.16 26 09**

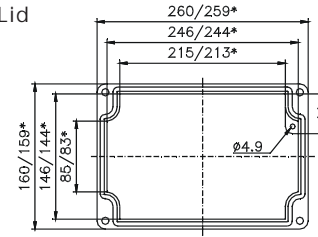
External dimensions: **160 x 260 x 91 mm**

Weight: **2300 g**

| | | | | | | | | | | | | | |
|-----------------------|---------------------------|---------------------|----------------------------------|----------------------------|---------------------|-------------|---------------------|----------------------------------|------------------|-------------------|------------------------------|-------------------------------|------------|
| DIN rail length in mm | max. fitting length in mm | Earthing rail clamp | Mounting plate (thickness in mm) | External mounting brackets | External hinge* set | EMC version | Internal hinge* set | SWB / SBG / SBGL Corr.protection | Allen lid screws | Silicone lid seal | Sealable lid screws in steel | Turn bolt fastener on request | Quick lock |
| TS 35 | 245 | 220 | 16 | 1.5 | • | • | • | • | • | • | • | • | • |

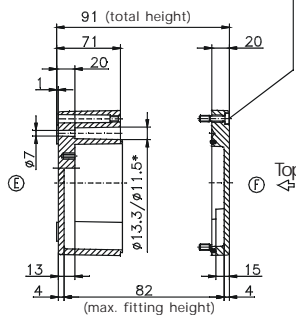


Lid

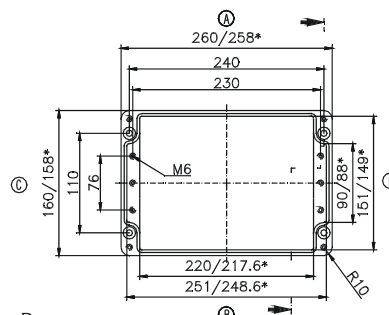


* = Conical form tapering downwards
Free dimensions-tolerance to GTA 13/5 DIN 1688

Cylinder screw
M6x25/10
similar to DIN 84



Base



| M | Corner dim. | Side | | PG | Corner dim. | Side | |
|----|-------------|------|----|------|-------------|------|----|
| | | A | C | | | B | D |
| 12 | 17.25 | 50 | 16 | 7 | 17.25 | 50 | 16 |
| 16 | 25.30 | 24 | 8 | 9 | 21.85 | 30 | 11 |
| 20 | 27.60 | 17 | 6 | 11 | 25.30 | 23 | 6 |
| 25 | 37.95 | 10 | 3 | 13.5 | 27.60 | 17 | 6 |
| 32 | 48.30 | 5 | 2 | 16 | 31.05 | 14 | 5 |
| 40 | 60.95 | 3 | 1 | 21 | 37.95 | 9 | 3 |
| 50 | 69.00 | 3 | | 29 | 48.30 | 5 | 2 |
| 63 | 74.75 | | | 36 | 60.95 | 3 | 1 |
| | | | | 42 | 69.00 | 3 | |
| | | | | 48 | 74.75 | | |

* Please quote mounting side

Type: **01.18 18 10**

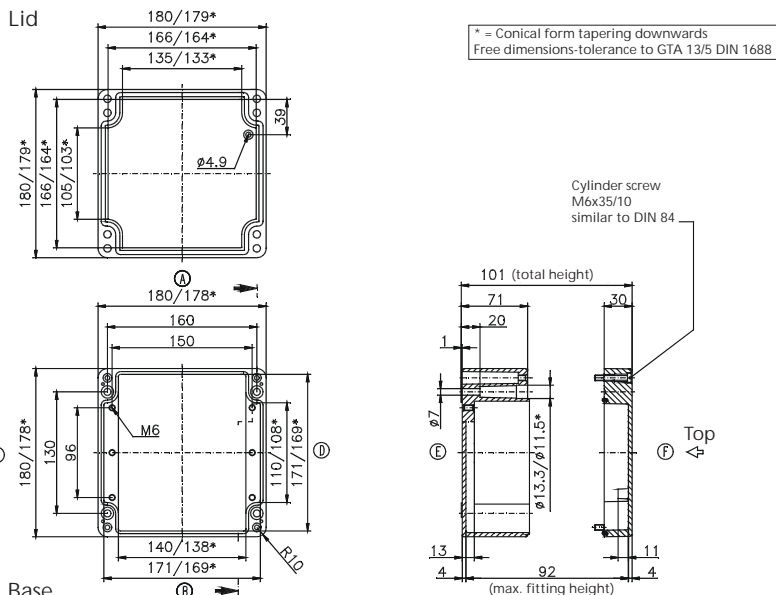
External dimensions: **180 x 180 x 101 mm**

Weight: **2400 g**

| | | | | | | | | | | | | | |
|-----------------------|---------------------------|---------------------|----------------------------------|----------------------------|---------------------|-------------|---------------------|----------------------------------|------------------|-------------------|------------------------------|-------------------------------|------------|
| DIN rail length in mm | max. fitting length in mm | Earthing rail clamp | Mounting plate (thickness in mm) | External mounting brackets | External hinge* set | EMC version | Internal hinge* set | SWB / SBG / SBGL Corr.protection | Allen lid screws | Silicone lid seal | Sealable lid screws in steel | Turn bolt fastener on request | Quick lock |
| TS 35 | 140 | 8 | 1.5 | • | • | • | • | • | • | • | • | • | • |
| 166 | 140 | 8 | 1.5 | • | • | • | • | • | • | • | • | • | • |

Maximum number of cable glands *to DIN 50262**

| M | Corner dim. | Side | | PG | Corner dim. | Side | |
|----|-------------|------|-----|------|-------------|------|-----|
| | | A/B | C/D | | | A/B | C/D |
| 12 | 17.25 | 30 | 20 | 7 | 17.25 | 28 | 20 |
| 16 | 25.30 | 15 | 9 | 9 | 21.85 | 18 | 14 |
| 20 | 27.60 | 11 | 8 | 11 | 25.30 | 15 | 8 |
| 25 | 37.95 | 6 | 3 | 13.5 | 27.60 | 11 | 8 |
| 32 | 48.30 | 3 | 2 | 16 | 31.05 | 8 | 6 |
| 40 | 60.95 | 2 | 2 | 21 | 37.95 | 6 | 3 |
| 50 | 69.00 | 2 | | 29 | 48.30 | 3 | 2 |
| 63 | 74.75 | | | 36 | 60.95 | 2 | 2 |
| | | | | 42 | 69.00 | 2 | |
| | | | | 48 | 74.75 | | |



Type: **01.18 28 10**

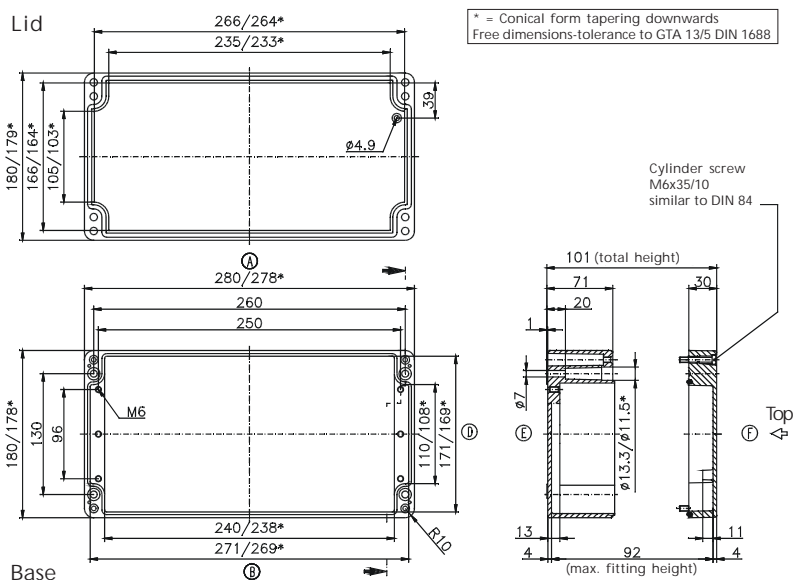
External dimensions: **180 x 280 x 101 mm**

Weight: **3000 g**

| | | | | | | | | | | | | | |
|-----------------------|---------------------------|---------------------|----------------------------------|----------------------------|---------------------|-------------|---------------------|----------------------------------|------------------|-------------------|------------------------------|-------------------------------|------------|
| DIN rail length in mm | max. fitting length in mm | Earthing rail clamp | Mounting plate (thickness in mm) | External mounting brackets | External hinge* set | EMC version | Internal hinge* set | SWB / SBG / SBGL Corr.protection | Allen lid screws | Silicone lid seal | Sealable lid screws in steel | Turn bolt fastener on request | Quick lock |
| TS 35 | 240 | 16 | 1.5 | • | • | • | • | • | • | • | • | • | • |
| 264 | 240 | 16 | 1.5 | • | • | • | • | • | • | • | • | • | • |

Maximum number of cable glands *to DIN 50262**

| M | Corner dim. | Side | | PG | Corner dim. | Side | |
|----|-------------|------|-----|------|-------------|------|-----|
| | | A/B | C/D | | | A/B | C/D |
| 12 | 17.25 | 52 | 22 | 7 | 17.25 | 52 | 22 |
| 16 | 25.30 | 26 | 10 | 9 | 21.85 | 33 | 15 |
| 20 | 27.60 | 18 | 8 | 11 | 25.30 | 23 | 10 |
| 25 | 37.95 | 11 | 4 | 13.5 | 27.60 | 18 | 8 |
| 32 | 48.30 | 5 | 2 | 16 | 31.05 | 14 | 7 |
| 40 | 60.95 | 4 | 2 | 21 | 37.95 | 10 | 4 |
| 50 | 69.00 | 3 | | 29 | 48.30 | 5 | 2 |
| 63 | 74.75 | | | 36 | 60.95 | 4 | 2 |
| | | | | 42 | 69.00 | 3 | |
| | | | | 48 | 74.75 | | |



* Please quote mounting side

Type: **01.23 10 11**

External dimensions: **230 x 100 x 111 mm**

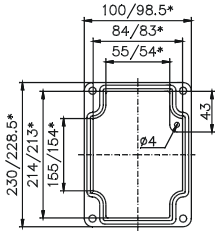
Weight: **2300 g**

| | | | | | | | | | | | | | |
|-----------------------|---------------------------|---------------------|----------------------------------|----------------------------|---------------------|-------------|---------------------|----------------------------------|------------------|-------------------|------------------------------|-------------------------------|------------|
| DIN rail length in mm | max. fitting length in mm | Earthing rail clamp | Mounting plate (thickness in mm) | External mounting brackets | External hinge* set | EMC version | Internal hinge* set | SWB / SBG / SBGL Corr-protection | Allen lid screws | Silicone lid seal | Sealable lid screws in steel | Turn bolt fastener on request | Quick lock |
| TS35 | | | | | | | | | | | | | |
| 214 | 190 | | 1.5 | • | • | • | • | • | • | • | • | • | • |

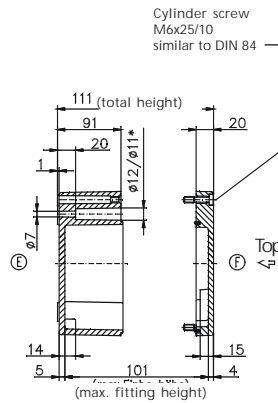
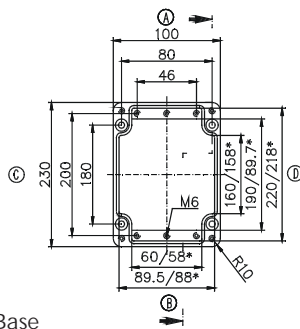
Maximum number of cable glands *to DIN 50262**

| M | Corner dim. | Side | | PG | Corner dim. | Side | | |
|----|-------------|------|-----|------|-------------|-------|-----|---|
| | | A/B | C/D | | | A/B | C/D | |
| 12 | 17.25 | 15 | 45 | 7 | 17.25 | 15 | 45 | |
| 16 | 25.30 | 8 | 18 | 9 | 21.85 | 10 | 28 | |
| 20 | 27.60 | 6 | 17 | 11 | 25.30 | 6 | 18 | |
| 25 | 37.95 | 3 | 8 | 13.5 | 27.60 | 6 | 17 | |
| 32 | 48.30 | 2 | 5 | 16 | 31.05 | 5 | 12 | |
| 40 | 60.95 | 1 | 3 | 21 | 37.95 | 3 | 8 | |
| 50 | 69.00 | 1 | 2 | 29 | 48.30 | 1 | 4 | |
| 63 | 74.75 | | 2 | 36 | 60.95 | 1 | 3 | |
| | | | | | 42 | 69.00 | 1 | 2 |
| | | | | | 48 | 74.75 | 1 | 2 |

Lid



* = Conical form tapering downwards
Free dimensions-tolerance to GTA 13/5 DIN 1688



Base

Type: **01.23 20 11**

External dimensions: **232 x 202 x 111 mm**

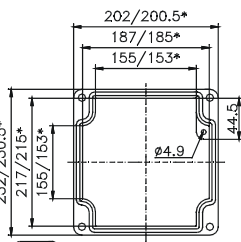
Weight: **2880 g**

| | | | | | | | | | | | | | |
|-----------------------|---------------------------|---------------------|----------------------------------|----------------------------|---------------------|-------------|---------------------|----------------------------------|------------------|-------------------|------------------------------|-------------------------------|------------|
| DIN rail length in mm | max. fitting length in mm | Earthing rail clamp | Mounting plate (thickness in mm) | External mounting brackets | External hinge* set | EMC version | Internal hinge* set | SWB / SBG / SBGL Corr-protection | Allen lid screws | Silicone lid seal | Sealable lid screws in steel | Turn bolt fastener on request | Quick lock |
| TS 35 | | | | | | | | | | | | | |
| 186 | 160 | 12 | 1.5 | • | • | • | • | • | • | • | • | • | • |

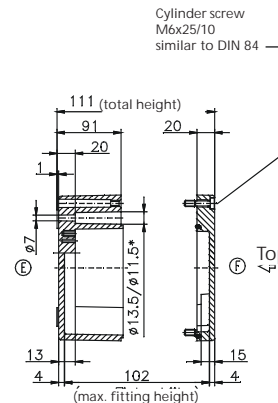
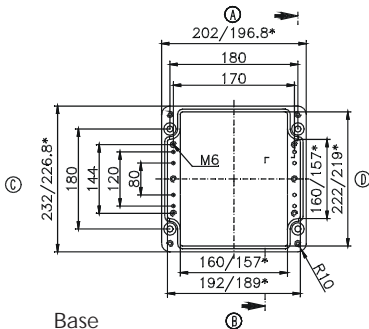
Maximum number of cable glands *to DIN 50262**

| M | Corner dim. | Side | | PG | Corner dim. | Side | | |
|----|-------------|------|-----|------|-------------|-------|-----|---|
| | | A/B | C/D | | | A/B | C/D | |
| 12 | 17.25 | 45 | 45 | 7 | 17.25 | 45 | 45 | |
| 16 | 25.30 | 22 | 18 | 9 | 21.85 | 28 | 28 | |
| 20 | 27.60 | 18 | 17 | 11 | 25.30 | 20 | 18 | |
| 25 | 37.95 | 8 | 8 | 13.5 | 27.60 | 18 | 17 | |
| 32 | 48.30 | 6 | 5 | 16 | 31.05 | 15 | 12 | |
| 40 | 60.95 | 3 | 3 | 21 | 37.95 | 8 | 8 | |
| 50 | 69.00 | 2 | 2 | 29 | 48.30 | 5 | 4 | |
| 63 | 74.75 | 2 | 2 | 36 | 60.95 | 3 | 3 | |
| | | | | | 42 | 69.00 | 2 | 2 |
| | | | | | 48 | 74.75 | 2 | 2 |

Lid



* = Conical form tapering downwards
Free dimensions-tolerance to GTA 13/5 DIN 1688



Base

* Please quote mounting side

Type: **01.23 20 18**

External dimensions: **232 x 202 x 181 mm**

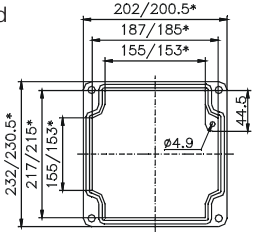
Weight: **4600 g**

| | | | | | | | | | | | | | |
|-----------------------|---------------------------|---------------------|----------------------------------|----------------------------|---------------------|-------------|---------------------|----------------------------------|------------------|-------------------|------------------------------|-------------------------------|------------|
| DIN rail length in mm | max. fitting length in mm | Earthing rail clamp | Mounting plate (thickness in mm) | External mounting brackets | External hinge* set | EMC version | Internal hinge* set | SWB / SBG / SBGL Corr.protection | Allen lid screws | Silicone lid seal | Sealable lid screws in steel | Turn bolt fastener on request | Quick lock |
| TS 35 | | | | | | | | | | | | | |
| 186 | 160 | 12 | 1.5 | • | • | • | • | • | • | • | • | • | • |

Maximum number of cable glands *to DIN 50262**

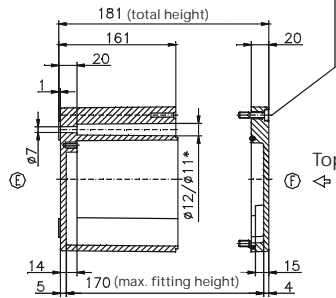
| M | Corner dim. | Side | | PG | Corner dim. | Side | |
|----|-------------|------|-----|------|-------------|------|-----|
| | | A/B | C/D | | | A/B | C/D |
| 12 | 17.25 | 90 | 81 | 7 | 17.25 | 90 | 81 |
| 16 | 25.30 | 42 | 36 | 9 | 21.85 | 56 | 49 |
| 20 | 27.60 | 33 | 33 | 11 | 25.30 | 42 | 36 |
| 25 | 37.95 | 18 | 16 | 13.5 | 27.60 | 33 | 33 |
| 32 | 48.30 | 10 | 9 | 16 | 31.05 | 25 | 25 |
| 40 | 60.95 | 6 | 6 | 21 | 37.95 | 16 | 16 |
| 50 | 69.00 | 5 | 5 | 29 | 48.30 | 10 | 9 |
| 63 | 74.75 | 4 | 4 | 36 | 60.95 | 6 | 5 |
| | | | | 42 | 69.00 | 5 | 4 |
| | | | | 48 | 74.75 | 4 | 4 |

Lid

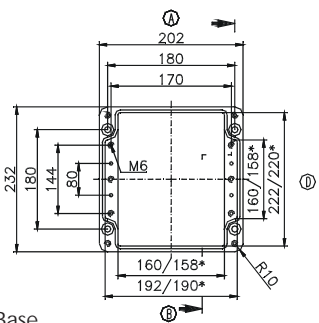


* = Conical form tapering downwards
Free dimensions-tolerance to GTA 13/5 DIN 1688

Cylinder screw M6x25/10 similar to DIN 84



Base



Type: **01.23 28 11**

External dimensions: **230 x 280 x 111 mm**

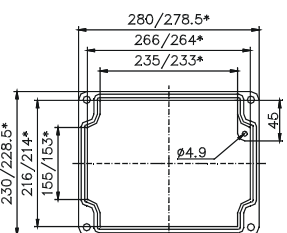
Weight: **3460 g**

| | | | | | | | | | | | | | |
|-----------------------|---------------------------|---------------------|----------------------------------|----------------------------|---------------------|-------------|---------------------|----------------------------------|------------------|-------------------|------------------------------|-------------------------------|------------|
| DIN rail length in mm | max. fitting length in mm | Earthing rail clamp | Mounting plate (thickness in mm) | External mounting brackets | External hinge* set | EMC version | Internal hinge* set | SWB / SBG / SBGL Corr.protection | Allen lid screws | Silicone lid seal | Sealable lid screws in steel | Turn bolt fastener on request | Quick lock |
| TS 35 | | | | | | | | | | | | | |
| 264 | 240 | 16 | 1.5 | • | • | • | • | • | • | • | • | • | • |

Maximum number of cable glands *to DIN 50262**

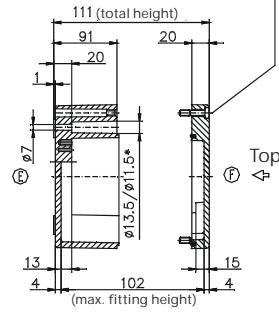
| M | Corner dim. | Side | | PG | Corner dim. | Side | |
|----|-------------|------|-----|------|-------------|------|-----|
| | | A/B | C/D | | | A/B | C/D |
| 12 | 17.25 | 70 | 45 | 7 | 17.25 | 68 | 45 |
| 16 | 25.30 | 32 | 18 | 9 | 21.85 | 44 | 28 |
| 20 | 27.60 | 24 | 17 | 11 | 25.30 | 32 | 18 |
| 25 | 37.95 | 12 | 8 | 13.5 | 27.60 | 24 | 17 |
| 32 | 48.30 | 9 | 5 | 16 | 31.05 | 21 | 12 |
| 40 | 60.95 | 4 | 3 | 21 | 37.95 | 12 | 8 |
| 50 | 69.00 | 3 | 2 | 29 | 48.30 | 9 | 4 |
| 63 | 74.75 | 3 | 2 | 36 | 60.95 | 4 | 3 |
| | | | | 42 | 69.00 | 3 | 2 |
| | | | | 48 | 74.75 | 3 | 2 |

Lid

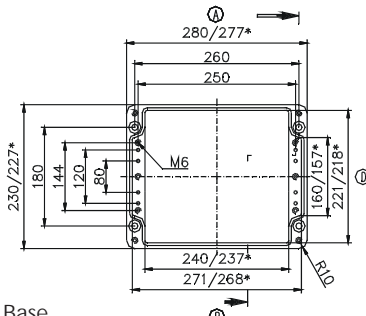


* = Conical form tapering downwards
Free dimensions-tolerance to GTA 13/5 DIN 1688

Cylinder screw M6x25/10 similar to DIN 84



Base



* Please quote mounting side

Type: **01.23 33 11**

External dimensions: **230 x 330 x 111 mm**

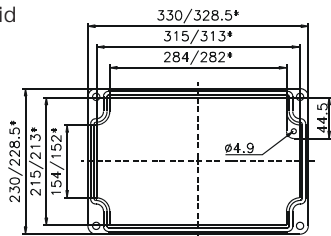
Weight: **3500 g**

| | | | | | | | | | | | | | |
|-----------------------|---------------------------|---------------------|----------------------------------|----------------------------|---------------------|-------------|---------------------|----------------------------------|------------------|-------------------|------------------------------|-------------------------------|------------|
| DIN rail length in mm | max. fitting length in mm | Earthing rail clamp | Mounting plate (thickness in mm) | External mounting brackets | External hinge* set | EMC version | Internal hinge* set | SWB / SBG / SBGL Corr.protection | Allen lid screws | Silicone lid seal | Sealable lid screws in steel | Turn bolt fastener on request | Quick lock |
| TS 35 | | | | | | | | | | | | | |
| 314 | 290 | 21 | 1.5 | • | • | • | • | • | • | • | • | • | • |

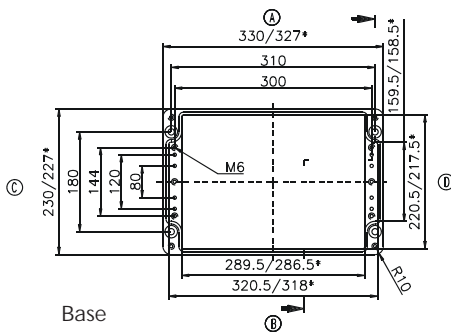
Maximum number of cable glands *to DIN 50262**

| M | Corner dim. | Side | | PG | Corner dim. | Side | | |
|----|-------------|------|-----|------|-------------|-------|-----|---|
| | | A/B | C/D | | | A/B | C/D | |
| 12 | 17.25 | 84 | 45 | 7 | 17.25 | 81 | 45 | |
| 16 | 25.30 | 42 | 18 | 9 | 21.85 | 52 | 28 | |
| 20 | 27.60 | 30 | 17 | 11 | 25.30 | 38 | 18 | |
| 25 | 37.95 | 15 | 8 | 13.5 | 27.60 | 30 | 17 | |
| 32 | 48.30 | 11 | 5 | 16 | 31.05 | 27 | 12 | |
| 40 | 60.95 | 5 | 3 | 21 | 37.95 | 15 | 8 | |
| 50 | 69.00 | 4 | 2 | 29 | 48.30 | 11 | 4 | |
| 63 | 74.75 | 4 | 2 | 36 | 60.95 | 5 | 3 | |
| | | | | | 42 | 69.00 | 4 | 2 |
| | | | | | 48 | 74.75 | 4 | 2 |

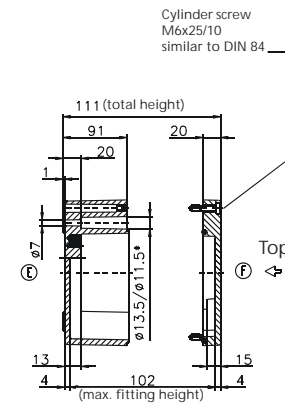
Lid



* = Conical form tapering downwards
Free dimensions-tolerance to GTA 13/5 DIN 1688



Base



Type: **01.23 33 18**

External dimensions: **230 x 330 x 181 mm**

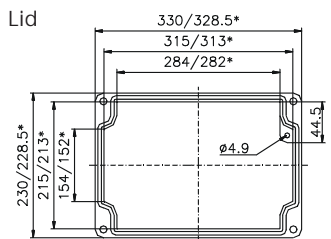
Weight: **6400 g**

| | | | | | | | | | | | | | |
|-----------------------|---------------------------|---------------------|----------------------------------|----------------------------|---------------------|-------------|---------------------|----------------------------------|------------------|-------------------|------------------------------|-------------------------------|------------|
| DIN rail length in mm | max. fitting length in mm | Earthing rail clamp | Mounting plate (thickness in mm) | External mounting brackets | External hinge* set | EMC version | Internal hinge* set | SWB / SBG / SBGL Corr.protection | Allen lid screws | Silicone lid seal | Sealable lid screws in steel | Turn bolt fastener on request | Quick lock |
| TS 35 | | | | | | | | | | | | | |
| 314 | 290 | 21 | 1.5 | • | • | • | • | • | • | • | • | • | • |

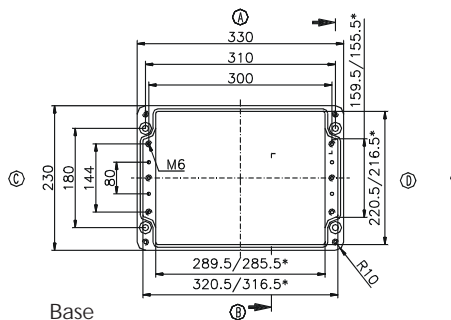
Maximum number of cable glands *to DIN 50262**

| M | Corner dim. | Side | | PG | Corner dim. | Side | | |
|----|-------------|------|-----|------|-------------|-------|-----|---|
| | | A/B | C/D | | | A/B | C/D | |
| 12 | 17.25 | 165 | 81 | 7 | 17.25 | 144 | 81 | |
| 16 | 25.30 | 77 | 36 | 9 | 21.85 | 104 | 49 | |
| 20 | 27.60 | 60 | 33 | 11 | 25.30 | 77 | 36 | |
| 25 | 37.95 | 30 | 16 | 13.5 | 27.60 | 60 | 33 | |
| 32 | 48.30 | 18 | 9 | 16 | 31.05 | 45 | 25 | |
| 40 | 60.95 | 11 | 6 | 21 | 37.95 | 30 | 16 | |
| 50 | 69.00 | 8 | 5 | 29 | 48.30 | 18 | 9 | |
| 63 | 74.75 | 8 | 4 | 36 | 60.95 | 11 | 5 | |
| | | | | | 42 | 69.00 | 8 | 4 |
| | | | | | 48 | 74.75 | 8 | 4 |

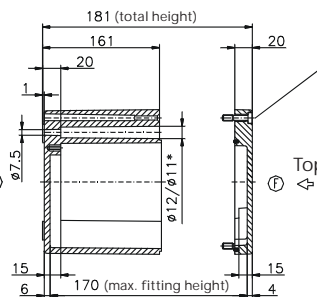
Lid



* = Conical form tapering downwards
Free dimensions-tolerance to GTA 13/5 DIN 1688



Base



* Please quote mounting side

Type: **01.23 40 11**

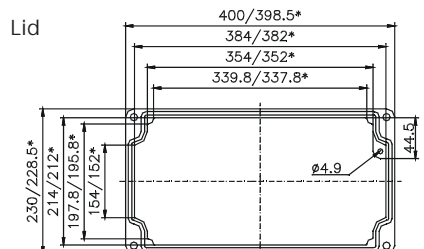
External dimensions: **230 x 400 x 111 mm**

Weight: **4833 g**

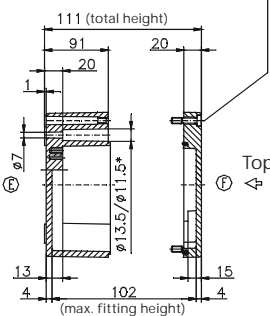
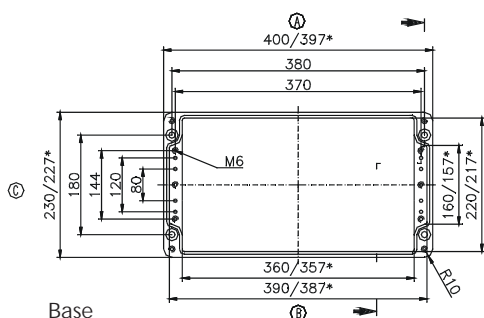
| | | | | | | | | | | | | | |
|-----------------------|---------------------------|---------------------|----------------------------------|----------------------------|---------------------|-------------|---------------------|----------------------------------|------------------|-------------------|------------------------------|-------------------------------|------------|
| DIN rail length in mm | max. fitting length in mm | Earthing rail clamp | Mounting plate (thickness in mm) | External mounting brackets | External hinge* set | EMC version | Internal hinge* set | SWB / SBG / SBGL Corr.protection | Allen lid screws | Silicone lid seal | Sealable lid screws in steel | Turn bolt fastener on request | Quick lock |
| TS 35 | | | | | | | | | | | | | |
| 381 | 360 | 26 | 2 | • | • | • | • | • | • | • | • | • | • |

Maximum number of cable glands *to DIN 50262**

| M | Corner dim. | Side | | | PG | Corner dim. | Side | | |
|----|-------------|------|----|------|-------|-------------|------|---|-----|
| | | A | B | C/D | | | A | B | C/D |
| 12 | 17.25 | 103 | 45 | 7 | 17.25 | 103 | 45 | | |
| 16 | 25.30 | 50 | 18 | 9 | 21.85 | 64 | 28 | | |
| 20 | 27.60 | 39 | 17 | 11 | 25.30 | 46 | 18 | | |
| 25 | 37.95 | 20 | 8 | 13.5 | 27.60 | 39 | 17 | | |
| 32 | 48.30 | 14 | 5 | 16 | 31.05 | 33 | 12 | | |
| 40 | 60.95 | 6 | 3 | 21 | 37.95 | 18 | 8 | | |
| 50 | 69.00 | 5 | 2 | 29 | 48.30 | 13 | 4 | | |
| 63 | 74.75 | 5 | 2 | 36 | 60.95 | 6 | 3 | | |
| | | | | | 42 | 69.00 | 5 | 2 | |
| | | | | | 48 | 74.75 | 5 | 2 | |



* = Conical form tapering downwards
Free dimensions-tolerance to GTA 13/5 DIN 1688



Type: **01.23 40 23**

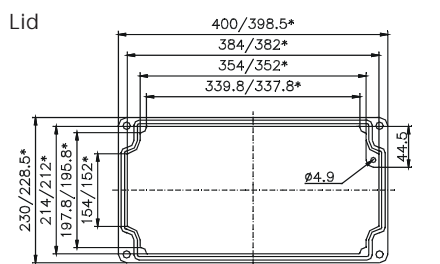
External dimensions: **230 x 400 x 225 mm**

Weight: **8300 g**

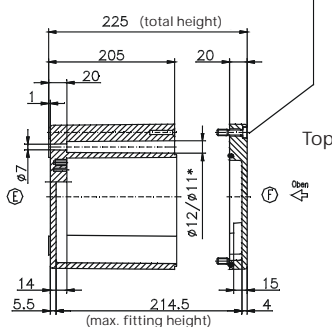
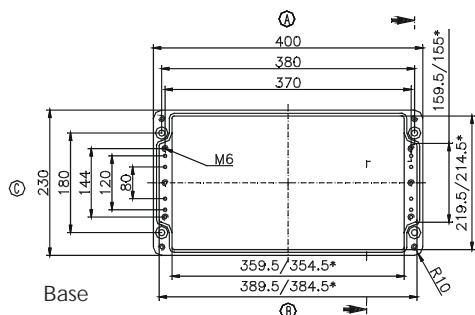
| | | | | | | | | | | | | | |
|-----------------------|---------------------------|---------------------|----------------------------------|----------------------------|---------------------|-------------|---------------------|----------------------------------|------------------|-------------------|------------------------------|-------------------------------|------------|
| DIN rail length in mm | max. fitting length in mm | Earthing rail clamp | Mounting plate (thickness in mm) | External mounting brackets | External hinge* set | EMC version | Internal hinge* set | SWB / SBG / SBGL Corr.protection | Allen lid screws | Silicone lid seal | Sealable lid screws in steel | Turn bolt fastener on request | Quick lock |
| TS 35 | | | | | | | | | | | | | |
| 381 | 360 | 26 | 2 | • | • | • | • | • | • | • | • | • | • |

Maximum number of cable glands *to DIN 50262**

| M | Corner dim. | Side | | | PG | Corner dim. | Side | | |
|----|-------------|------|-----|------|-------|-------------|------|---|-----|
| | | A | B | C/D | | | A | B | C/D |
| 12 | 17.25 | 240 | 108 | 7 | 17.25 | 240 | 108 | | |
| 16 | 25.30 | 122 | 48 | 9 | 21.85 | 160 | 63 | | |
| 20 | 27.60 | 100 | 44 | 11 | 25.30 | 112 | 48 | | |
| 25 | 37.95 | 54 | 21 | 13.5 | 27.60 | 100 | 44 | | |
| 32 | 48.30 | 30 | 13 | 16 | 31.05 | 77 | 35 | | |
| 40 | 60.95 | 18 | 9 | 21 | 37.95 | 54 | 21 | | |
| 50 | 69.00 | 15 | 6 | 29 | 48.30 | 30 | 13 | | |
| 63 | 74.75 | 12 | 5 | 36 | 60.95 | 18 | 6 | | |
| | | | | | 42 | 69.00 | 15 | 6 | |
| | | | | | 48 | 74.75 | 12 | 5 | |



* = Conical form tapering downwards
Free dimensions-tolerance to GTA 13/5 DIN 1688



* Please quote mounting side

Type: **01.23 60 11**

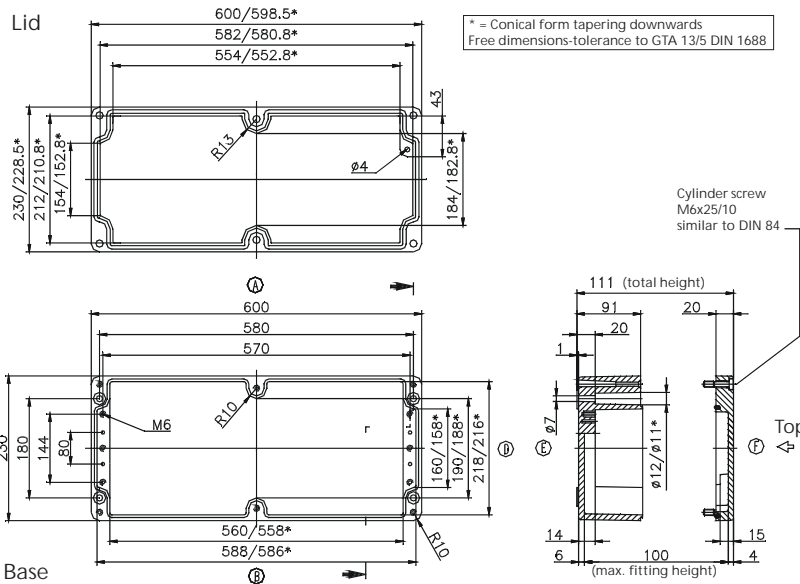
External dimensions: **230 x 600 x 111 mm**

Weight: **8700 g**

| | | | | | | | | | | | | | |
|-----------------------|---------------------------|---------------------|----------------------------------|----------------------------|---------------------|-------------|---------------------|----------------------------|------------------|-------------------|------------------------------|-------------------------------|------------|
| DIN rail length in mm | max. fitting length in mm | Earthing rail clamp | Mounting plate (thickness in mm) | External mounting brackets | External hinge* set | EMC version | Internal hinge* set | SWB / SBGL Corr.protection | Allen lid screws | Silicone lid seal | Sealable lid screws in steel | Turn bolt fastener on request | Quick lock |
| TS 35 | | | | | | | | | | | | | |
| 581 | 560 | 41 | 2 | • | • | • | • | • | • | • | • | • | • |

Maximum number of cable glands *to DIN 50262**

| M | Corner dim. | Side | | PG | Corner dim. | Side | |
|----|-------------|------|----|------|-------------|------|----|
| | | A | C | | | B | D |
| 12 | 17.25 | 150 | 43 | 7 | 17.25 | 150 | 43 |
| 16 | 25.30 | 72 | 18 | 9 | 21.85 | 96 | 28 |
| 20 | 27.60 | 54 | 17 | 11 | 25.30 | 68 | 18 |
| 25 | 37.95 | 28 | 8 | 13.5 | 27.60 | 54 | 15 |
| 32 | 48.30 | 20 | 4 | 16 | 31.05 | 28 | 12 |
| 40 | 60.95 | 10 | 3 | 21 | 37.95 | 28 | 8 |
| 50 | 69.00 | 8 | 2 | 29 | 48.30 | 20 | 4 |
| 63 | 74.75 | 6 | 2 | 36 | 60.95 | 10 | 2 |
| | | | | 42 | 69.00 | 8 | 2 |
| | | | | 48 | 74.75 | 6 | 2 |



Type: **01.31 40 11**

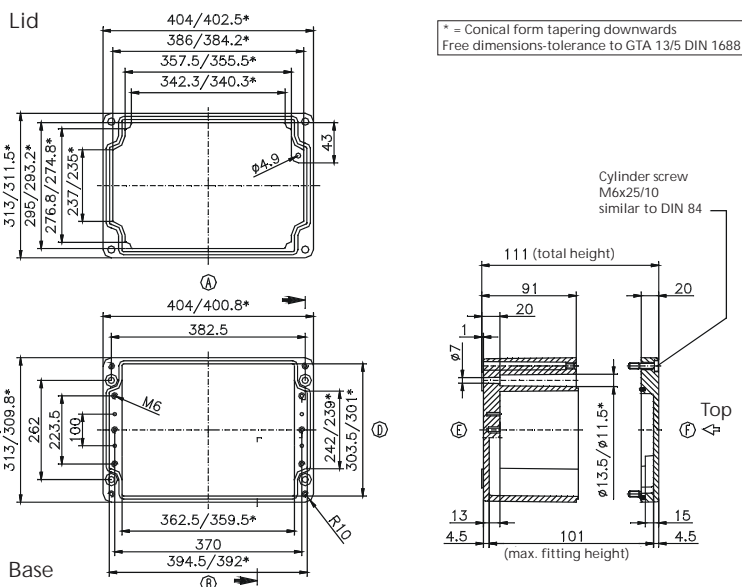
External dimensions: **313 x 404 x 111 mm**

Weight: **6400 g**

| | | | | | | | | | | | | | |
|-----------------------|---------------------------|---------------------|----------------------------------|----------------------------|---------------------|-------------|---------------------|----------------------------|------------------|-------------------|------------------------------|-------------------------------|------------|
| DIN rail length in mm | max. fitting length in mm | Earthing rail clamp | Mounting plate (thickness in mm) | External mounting brackets | External hinge* set | EMC version | Internal hinge* set | SWB / SBGL Corr.protection | Allen lid screws | Silicone lid seal | Sealable lid screws in steel | Turn bolt fastener on request | Quick lock |
| TS 35 | | | | | | | | | | | | | |
| 381 | 360 | 26 | 2 | • | • | • | • | • | • | • | • | • | • |

Maximum number of cable glands *to DIN 50262**

| M | Corner dim. | Side | | PG | Corner dim. | Side | |
|----|-------------|------|----|------|-------------|------|----|
| | | A | C | | | B | D |
| 12 | 17.25 | 105 | 68 | 7 | 17.25 | 103 | 68 |
| 16 | 25.30 | 50 | 28 | 9 | 21.85 | 64 | 42 |
| 20 | 27.60 | 39 | 26 | 11 | 25.30 | 46 | 27 |
| 25 | 37.95 | 20 | 12 | 13.5 | 27.60 | 39 | 24 |
| 32 | 48.30 | 14 | 7 | 16 | 31.05 | 33 | 18 |
| 40 | 60.95 | 6 | 4 | 21 | 37.95 | 18 | 12 |
| 50 | 69.00 | 5 | 3 | 29 | 48.30 | 13 | 7 |
| 63 | 74.75 | 5 | 3 | 36 | 60.95 | 6 | 4 |
| | | | | 42 | 69.00 | 5 | 3 |
| | | | | 48 | 74.75 | 5 | 3 |



* Please quote mounting side

Type: **01.31 40 14**

External dimensions: **312 x 403 x 141 mm**

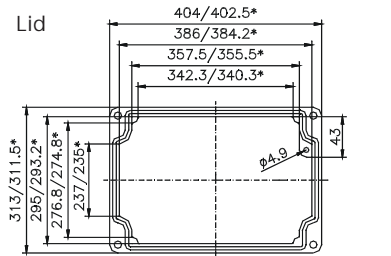
Weight: **9500 g**

| | | | | | | | | | | | | | |
|-----------------------|---------------------------|---------------------|----------------------------------|----------------------------|---------------------|-------------|---------------------|----------------------------------|------------------|-------------------|------------------------------|-------------------------------|------------|
| DIN rail length in mm | max. fitting length in mm | Earthing rail clamp | Mounting plate (thickness in mm) | External mounting brackets | External hinge* set | EMC version | Internal hinge* set | SWB / SBG / SBGL Corr.protection | Allen lid screws | Silicone lid seal | Sealable lid screws in steel | Turn bolt fastener on request | Quick lock |
| TS 35 | | | | | | | | | | | | | |
| 381 | 360 | 26 | 2 | • | • | • | • | • | • | • | • | • | • |

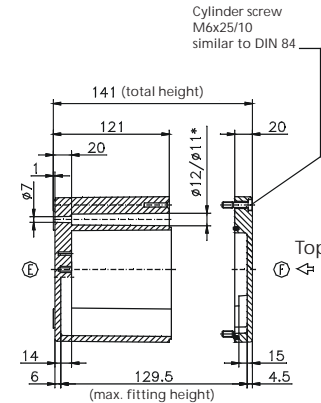
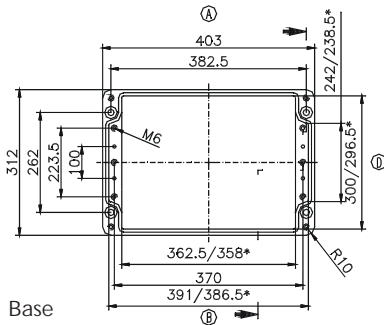
Maximum number of cable glands *to DIN 50262**

| M | Corner dim. | Side | | | PG | Corner dim. | Side | | |
|----|-------------|------|----|------|-------|-------------|------|---|---|
| | | A | B | C | | | D | A | B |
| 12 | 17.25 | 147 | 95 | 7 | 17.25 | 147 | 95 | | |
| 16 | 25.30 | 70 | 43 | 9 | 21.85 | 96 | 55 | | |
| 20 | 27.60 | 55 | 32 | 11 | 25.30 | 70 | 40 | | |
| 25 | 37.95 | 28 | 18 | 13.5 | 27.60 | 55 | 32 | | |
| 32 | 48.30 | 17 | 10 | 16 | 31.05 | 44 | 28 | | |
| 40 | 60.95 | 12 | 7 | 21 | 37.95 | 27 | 18 | | |
| 50 | 69.00 | 7 | 4 | 29 | 48.30 | 17 | 10 | | |
| 63 | 74.75 | 6 | 3 | 36 | 60.95 | 12 | 7 | | |
| | | | | | 42 | 69,00 | 7 | 4 | |
| | | | | | 48 | 74,75 | 6 | 3 | |

Lid



* = Conical form tapering downwards
Free dimensions-tolerance to GTA 13/5 DIN 1688



Base

Type: **01.31 40 18**

External dimensions: **313 x 404 x 181 mm**

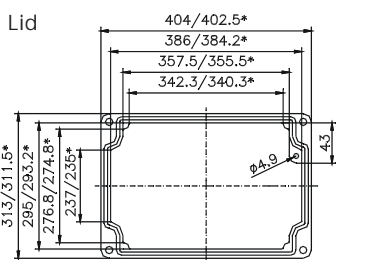
Weight: **9780 g**

| | | | | | | | | | | | | | |
|-----------------------|---------------------------|---------------------|----------------------------------|----------------------------|---------------------|-------------|---------------------|----------------------------------|------------------|-------------------|------------------------------|-------------------------------|------------|
| DIN rail length in mm | max. fitting length in mm | Earthing rail clamp | Mounting plate (thickness in mm) | External mounting brackets | External hinge* set | EMC version | Internal hinge* set | SWB / SBG / SBGL Corr.protection | Allen lid screws | Silicone lid seal | Sealable lid screws in steel | Turn bolt fastener on request | Quick lock |
| TS 35 | | | | | | | | | | | | | |
| 381 | 360 | 26 | 2 | • | • | • | • | • | • | • | • | • | • |

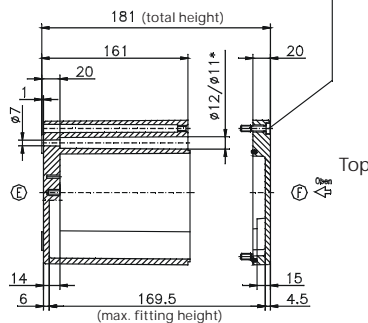
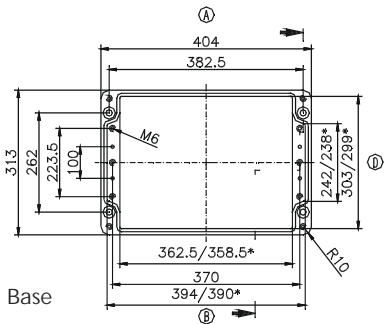
Maximum number of cable glands *to DIN 50262**

| M | Corner dim. | Side | | | PG | Corner dim. | Side | | |
|----|-------------|------|-----|------|-------|-------------|------|---|---|
| | | A | B | C | | | D | A | B |
| 12 | 17.25 | 205 | 122 | 7 | 17.25 | 205 | 122 | | |
| 16 | 25.30 | 98 | 54 | 9 | 21.85 | 128 | 77 | | |
| 20 | 27.60 | 78 | 51 | 11 | 25.30 | 98 | 54 | | |
| 25 | 37.95 | 40 | 24 | 13.5 | 27.60 | 75 | 48 | | |
| 32 | 48.30 | 22 | 15 | 16 | 31.05 | 60 | 38 | | |
| 40 | 60.95 | 15 | 9 | 21 | 37.95 | 38 | 24 | | |
| 50 | 69.00 | 11 | 6 | 29 | 48.30 | 22 | 15 | | |
| 63 | 74.75 | 8 | 6 | 36 | 60.95 | 14 | 8 | | |
| | | | | | 42 | 69,00 | 10 | 6 | |
| | | | | | 48 | 74,75 | 10 | 6 | |

Lid



* = Conical form tapering downwards
Free dimensions-tolerance to GTA 13/5 DIN 1688



Base

* Please quote mounting side

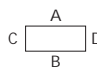
Type: **01.31 40 23**

External dimensions: **313 x 404 x 227 mm**

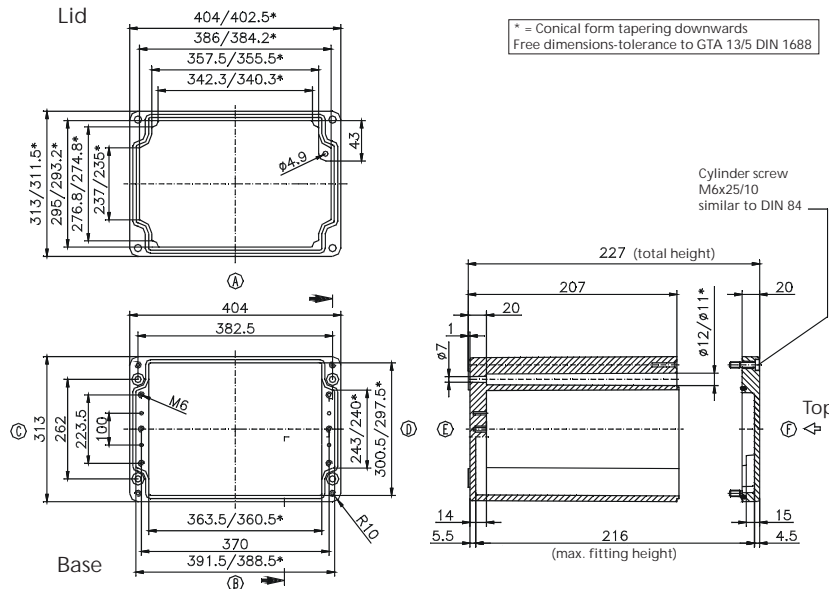
Weight: **11000 g**

| | | | | | | | | | | | | | |
|-----------------------|---------------------------|---------------------|----------------------------------|----------------------------|---------------------|-------------|---------------------|----------------------------------|------------------|-------------------|------------------------------|-------------------------------|------------|
| DIN rail length in mm | max. fitting length in mm | Earthing rail clamp | Mounting plate (thickness in mm) | External mounting brackets | External hinge* set | EMC version | Internal hinge* set | SWB / SBG / SBGL Corr.protection | Allen lid screws | Silicone lid seal | Sealable lid screws in steel | Turn bolt fastener on request | Quick lock |
| TS 35 | | | | | | | | | | | | | |
| 381 | 360 | 26 | 2 | • | • | • | • | • | • | • | • | • | • |

Maximum number of cable glands to DIN 50262*



| M | Corner dim. | Side | | PG | Corner dim. | Side | |
|----|-------------|------|-----|------|-------------|------|-----|
| | | A/B | C/D | | | A/B | C/D |
| 12 | 17.25 | 246 | 162 | 7 | 17.25 | 246 | 162 |
| 16 | 25.30 | 126 | 72 | 9 | 21.85 | 160 | 99 |
| 20 | 27.60 | 100 | 68 | 11 | 25.30 | 112 | 72 |
| 25 | 37.95 | 54 | 33 | 13.5 | 27.60 | 100 | 64 |
| 32 | 48.30 | 30 | 20 | 16 | 31.05 | 77 | 53 |
| 40 | 60.95 | 18 | 12 | 21 | 37.95 | 54 | 33 |
| 50 | 69.00 | 15 | 9 | 29 | 48.30 | 30 | 20 |
| 63 | 74.75 | 12 | 8 | 36 | 60.95 | 18 | 12 |
| | | | | 42 | 69.00 | 15 | 9 |
| | | | | 48 | 74.75 | 14 | 8 |



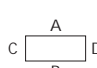
Type: **01.31 60 11**

External dimensions: **310 x 600 x 111 mm**

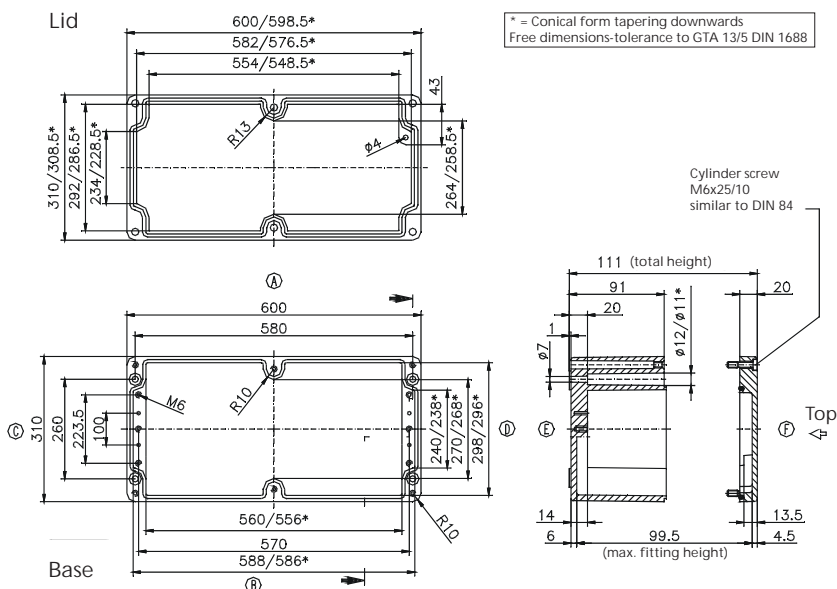
Weight: **10160 g**

| | | | | | | | | | | | | | |
|-----------------------|---------------------------|---------------------|----------------------------------|----------------------------|---------------------|-------------|---------------------|----------------------------------|------------------|-------------------|------------------------------|-------------------------------|------------|
| DIN rail length in mm | max. fitting length in mm | Earthing rail clamp | Mounting plate (thickness in mm) | External mounting brackets | External hinge* set | EMC version | Internal hinge* set | SWB / SBG / SBGL Corr.protection | Allen lid screws | Silicone lid seal | Sealable lid screws in steel | Turn bolt fastener on request | Quick lock |
| TS 35 | | | | | | | | | | | | | |
| 581 | 560 | 41 | 2 | • | • | • | • | • | • | • | • | • | • |

Maximum number of cable glands to DIN 50262*



| M | Corner dim. | Side | | PG | Corner dim. | Side | |
|----|-------------|------|-----|------|-------------|------|-----|
| | | A/B | C/D | | | A/B | C/D |
| 12 | 17.25 | 150 | 68 | 7 | 17.25 | 150 | 68 |
| 16 | 25.30 | 76 | 28 | 9 | 21.85 | 96 | 42 |
| 20 | 27.60 | 60 | 24 | 11 | 25.30 | 72 | 27 |
| 25 | 37.95 | 30 | 12 | 13.5 | 27.60 | 60 | 24 |
| 32 | 48.30 | 20 | 7 | 16 | 31.05 | 48 | 18 |
| 40 | 60.95 | 10 | 4 | 21 | 37.95 | 28 | 12 |
| 50 | 69.00 | 8 | 3 | 29 | 48.30 | 20 | 6 |
| 63 | 74.75 | 6 | 3 | 36 | 60.95 | 10 | 4 |
| | | | | 42 | 69.00 | 8 | 3 |
| | | | | 48 | 74.75 | 6 | 3 |



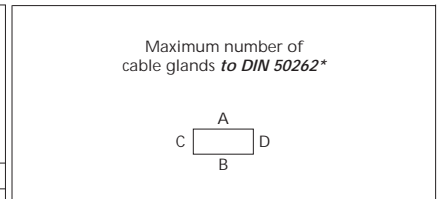
* Please quote mounting side

Type: **01.31 60 18**

External dimensions: **310 x 600 x 181 mm**

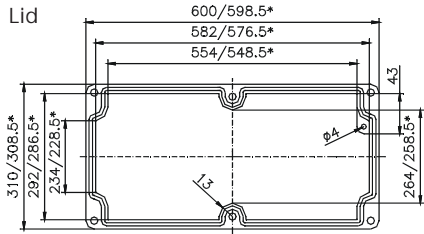
Weight: **12560 g**

| | | | | | | | | | | | | | |
|-----------------------|---------------------------|---------------------|----------------------------------|----------------------------|---------------------|-------------|---------------------|----------------------------------|------------------|-------------------|------------------------------|-------------------------------|------------|
| DIN rail length in mm | max. fitting length in mm | Earthing rail clamp | Mounting plate (thickness in mm) | External mounting brackets | External hinge* set | EMC version | Internal hinge* set | SWB / SBG / SBGL Corr.protection | Allen lid screws | Silicone lid seal | Sealable lid screws in steel | Turn bolt fastener on request | Quick lock |
| TS 35 | | | | | | | | | | | | | |
| 581 | 560 | 41 | 2 | • | • | • | • | • | • | • | • | • | • |

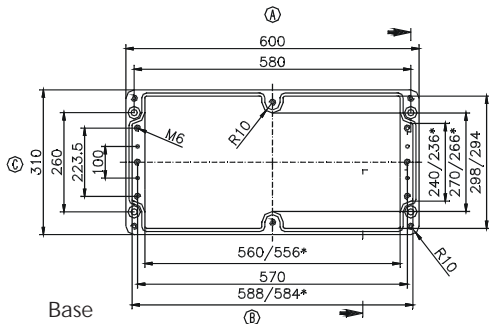


| M | Cor-ner dim. | Side | | PG | Cor-ner dim. | Side | |
|----|--------------|------|----|------|--------------|------|----|
| | | A | C | | | A | C |
| 12 | 17.25 | 150 | 68 | 7 | 17.25 | 150 | 68 |
| 16 | 25.30 | 76 | 28 | 9 | 21.85 | 96 | 42 |
| 20 | 27.60 | 60 | 24 | 11 | 25.30 | 72 | 27 |
| 25 | 37.95 | 30 | 12 | 13.5 | 27.60 | 60 | 24 |
| 32 | 48.30 | 20 | 7 | 16 | 31.05 | 48 | 18 |
| 40 | 60.95 | 10 | 4 | 21 | 37.95 | 28 | 12 |
| 50 | 69.00 | 8 | 3 | 29 | 48.30 | 20 | 6 |
| 63 | 74.75 | 6 | 3 | 36 | 60.95 | 10 | 4 |
| | | | | 42 | 69.00 | 8 | 3 |
| | | | | 48 | 74.75 | 6 | 3 |

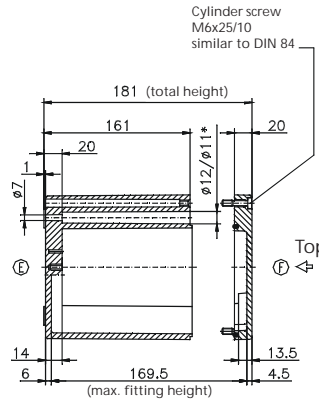
Lid



* = Conical form tapering downwards
Free dimensions-tolerance to GTA 13/5 DIN 1688



Base



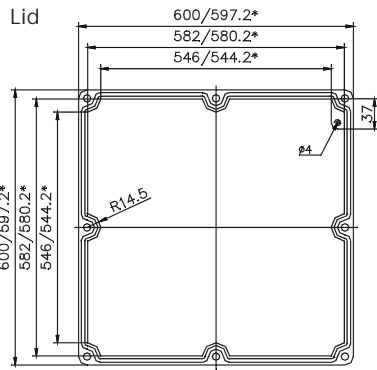
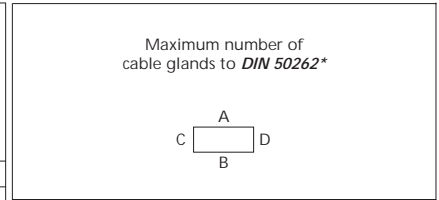
* Please quote mounting side

Type: **01.60 60 20**

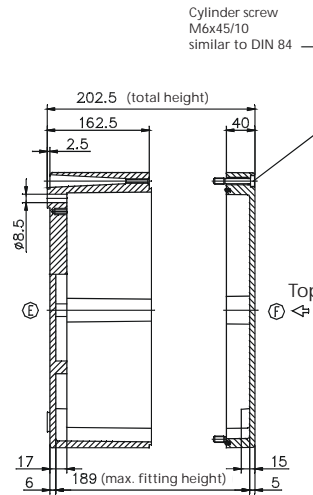
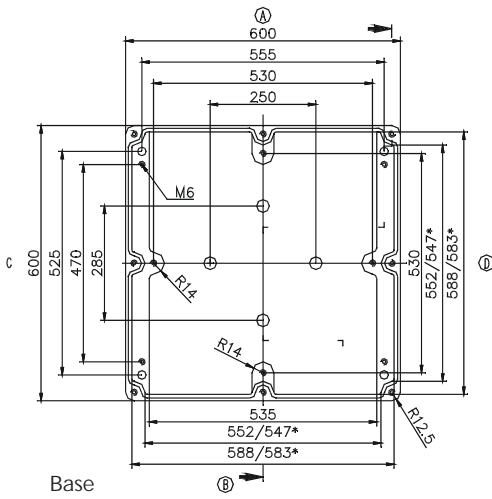
External dimensions: **600 x 600 x 202 mm**

Weight: **26200 g**

| | | | | | | | | | | | | | |
|-----------------------|---------------------------|---------------------|----------------------------------|----------------------------|---------------------|-------------|---------------------|-----------------------------------|------------------|-------------------|------------------------------|-------------------------------|------------|
| DIN rail length in mm | max. fitting length in mm | Earthing rail clamp | Mounting plate (thickness in mm) | External mounting brackets | External hinge* set | EMC version | Internal hinge* set | SWB / SBG / SBGL Corr. protection | Allen lid screws | Silicone lid seal | Sealable lid screws in steel | Turn bolt fastener on request | Quick lock |
| TS 35 | 552 | | 2.5 | | • | | | • | | • | | | |



* = Conical form tapering downwards
Free dimensions-tolerance to GTA 13/5 DIN 1688



| M | Corner dim. | Side | | PG | Corner dim. | Side | |
|----|-------------|------|-----|------|-------------|------|-----|
| | | A | C | | | A | C |
| 12 | 17.25 | 270 | 270 | 7 | 17.25 | 270 | 270 |
| 16 | 25.30 | 140 | 140 | 9 | 21.85 | 184 | 184 |
| 20 | 27.60 | 108 | 108 | 11 | 25.30 | 134 | 134 |
| 25 | 37.95 | 56 | 56 | 13.5 | 27.60 | 108 | 108 |
| 32 | 48.30 | 32 | 32 | 16 | 31.05 | 84 | 84 |
| 40 | 60.95 | 22 | 22 | 21 | 37.95 | 56 | 56 |
| 50 | 69.00 | 16 | 16 | 29 | 48.30 | 32 | 32 |
| 63 | 74.75 | 12 | 12 | 36 | 60.95 | 18 | 18 |
| | | | | 42 | 69.00 | 12 | 12 |
| | | | | 48 | 74.75 | 12 | 12 |

* Please quote mounting side

X-ON Electronics

Largest Supplier of Electrical and Electronic Components

Click to view similar products for [bopla](#) manufacturer:

Other Similar products are found below :

[62240000](#) [82400124](#) [82600124](#) [82703124](#) [94242200.MT1](#) [96033125](#) [96036335](#) [ATPH1850-100 MT6](#) [ATPH1850-250 MT1](#) [ATPH1865-250 MT6](#) [94122150.MT2](#) [34501000](#) [34700000](#) [34751000](#) [34910002](#) [ATPH1850-200 MT6](#) [ATPH1865-200 MT6](#) [46400000](#) [46300000](#) [46600000](#) [1124000](#) [1123000](#) [62221000](#) [82200124](#) [82600135](#) [82700124](#) [02244000](#) [B 080805 ABS GRAPHITE GREY](#) [B 140806 ABS GRAPHITE GREY](#) [ATPH 1850-150 EG1240P](#) [B 140806 ABS LIGHT GREY](#) [B 261706 PC-V0-G GRAPHITE GREY](#) [82200135](#) [T890](#) [02208000](#) [02250000](#) [94122150](#) [41250109](#) [01123000](#) [01104000](#) [92800200](#) [BOP 500 BE4MC-9005](#) [BOP 500 BE4MC-9016](#) [BOP 7.0-9016](#) [BOP 700 BE4MN-9016](#) [BOP 900-9016](#) [BOP 900 BE4MN-9005](#) [BOP 900 BE4MN-9016](#) [ABP 1600-200](#)