

P2

Panel Mounted

Keylock

P2

mm) Ø 19.1	
tics	<ul style="list-style-type: none">■ up to 12 contact pairs■ 2 security options with key actuation■ from 2 to 4 switch positions■ key trapping option■ solder terminals
ing	250 VAC, 2 A
mm) Ø 22	
ator	<ul style="list-style-type: none">■ key (common or differs)
als	UL (optional)



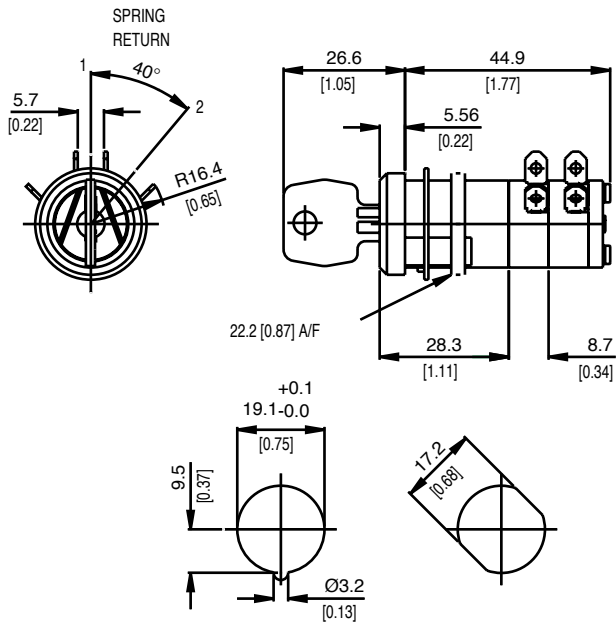
Preferred Range

ence	Terminal	Circuit	Actuator	Contacts	Electrical rating
06	Screws	2 pole CO	Key	Ag	Up to 250 VAC, 2 A
09	Screws	2 pole CO	Key	Ag	Up to 250 VAC, 2 A
09	Screws	2 pole CO	Key	Ag	Up to 250 VAC, 2 A
09	Screws	2 pole CO	Key	Ag	Up to 250 VAC, 2 A



Specifications

Key	Nickel silver
Body	Glass-fibre reinforced nylon
Springs	Stainless steel
Contacts	Silver
Terminals	4.8 × 0.8 mm (0.19 × 0.032 in) faston (faston) - silver-plated brass
Temperature range °C	-20°C to +85°C
Mechanical life	50,000 operations (minimum)
Mounting	Locknut and washer
Actuators	General duty keylocks
Switching function	Change-over (spring return), change-over (separate circuits)
Key indexing	90°



Recommended maximum electrical ratings

Voltage (max)	Resistive load (A)	Inductive load	Horsepower	Approval
125 VAC	4 (0.75 pf)	-	-	UL 1054/CSA 22.2 No. 55 - 6,000 operations
250 VAC	2 (0.75 pf)	2	-	UL 1054/CSA 22.2 No. 55 - 6,000 operations
12 VDC	10	-	-	UL 1054/CSA 22.2 No. 55 - 6,000 operations

Operating Characteristics

Switching function	Reference	Actuator Type	Code	Key trapping	Diagram
2 pole change-over, spring return	P23FBA206 P23FMA206	Key Key	001 Production run key coding	No No	
2 pole change-over, separate circuits	P23FBA209 P23FMA209	Key Key	001 Production run key coding	No No	
2 pole change-over, separate circuits	P23FBC209 P23DMC209	Key Key - increased security	001 Production run key coding	Yes Yes	

Type coding key for standard products

Type	Code	Description	Example: P2 3F B A 2 06
Type	P2		
Code	3F	Key - general duty	
Code	B	001 key	
Code	M	Production run key coding	
Code	A	Key removable in all positions	
Code	C	Key trapped horizontally, right	
Code	2	2 poles	
Code	06	Change-over with spring return	
Code	09	Change-over with separate circuits	



K2

Panel Mounted

Keyswitches

K2

mm) Ø 19.1	
tics	■ choice of off-on or change-over centre off or spring return options
	■ key trapping option
	■ solder terminals
ing	up to 250 VAC, 2 A
mm) Ø 22	
tor	■ key (common or differs)
als	UL and CSA

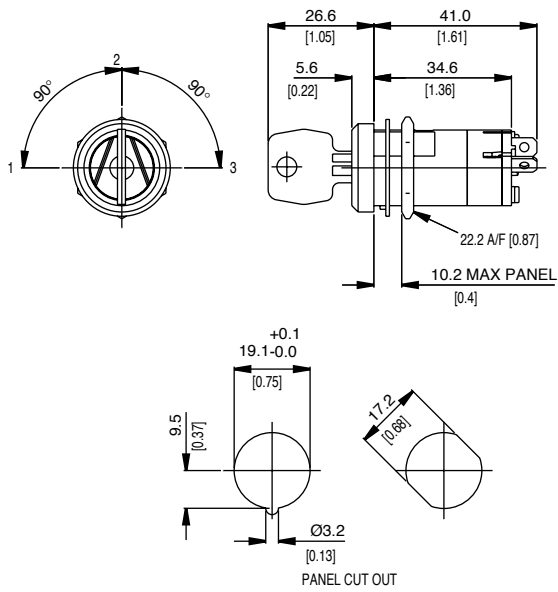


Preferred Range

Terminal	Circuit	Actuator	Contacts	Electrical rating
01 Screws	2 pole off-on	Key	Ag	Up to 250 VAC, 2 A

Specifications

Key	Nickel silver
Body	Glass-fibre reinforced nylon
Springs	Stainless steel
Contacts	Silver
Terminals	4.8 × 0.8 mm (0.19 × 0.032 in) faston (faston) - silver-plated brass
Temperature range °C	-20°C to +85°C
Mechanical life	50,000 operations (minimum)
Mounting	Locknut and washer
Actuators	General duty keylocks
Switching function	Off-on, change-over (centre off)
Key indexing	90°



Recommended maximum electrical ratings

Voltage (max)	Resistive load (A)	Inductive load	Horsepower	Approval
125 VAC	4 (0.75 pf)	-	-	UL 1054/CSA 22.2 No. 55 - 6,000 operations
250 VAC	2 (0.75 pf)	-	-	UL 1054/CSA 22.2 No. 55 - 6,000 operations
12 VDC	10	-	-	UL 1054/CSA 22.2 No. 55 - 6,000 operations



K2

Operating Characteristics

Switching function	Reference	Actuator		Key trapping	Diagram
		Type	Code		
1 pole change-over with centre off	K23FBA123	Key	001	No	
2 pole off-on	K23FBA201	Key	001	No	

Type coding key for standard products

Type	Code	Description	Example: K2 3F B A 2 01
Type	K2		
Actuators	3F	Key - general duty	
Code	B	001 key	
Switching	A	Key removable in all positions	
	C	Key trapped horizontally; right	
Poles	1	1 pole	
	2	2 poles	
Position	01	Off-on	
	23	Change-over with centre off	

X-ON Electronics

Largest Supplier of Electrical and Electronic Components

Click to view similar products for [Keylock Switches](#) category:

Click to view products by [Saia-Burgess](#) manufacturer:

Other Similar products are found below :

[89496-09](#) [89638-00](#) [58J9A90-01C02N](#) [719-0022-020](#) [719-0122-000](#) [719-0201-000](#) [719-0202-000](#) [719-0702-000](#) [84800-04](#) [88521-00](#)
[GKNC33L](#) [GKNC3L](#) [PVA2OAH5](#) [14-136.025K](#) [14-235.022K](#) [AS6H-2K2A](#) [AS6M-2K1B](#) [1571487-1](#) [HW4K-2BF20](#) [JD7510H](#)
[K6SLYE1.55NL327SD](#) [KH3C-20C](#) [89638-05](#) [A028301](#) [A165K-J2AL-2](#) [A165K-J2M-2](#) [A165K-J3AMR](#) [A165K-J3M](#) [205389 \(PAYGUARD](#)
[BUTTON PAD\)](#) [2SWK131AL102](#) [30PA39-AML](#) [LW6MJ-2C64WWB](#) [AS6M-2K1A](#) [51-401.036D](#) [51-401.036K](#) [51-414.036D](#) [HW1K-](#)
[3HF20](#) [4370039](#) [Y1112-2027CLFT](#) [4B01H322NCFQ](#) [51-155.025D](#) [51-195.025D](#) [51-378.AD](#) [51-404.036D](#) [51-405.036D](#) [51-415.036D](#) [1-](#)
[1437597-8](#) [86945-05](#) [88169-05](#) [719-0204-000](#)