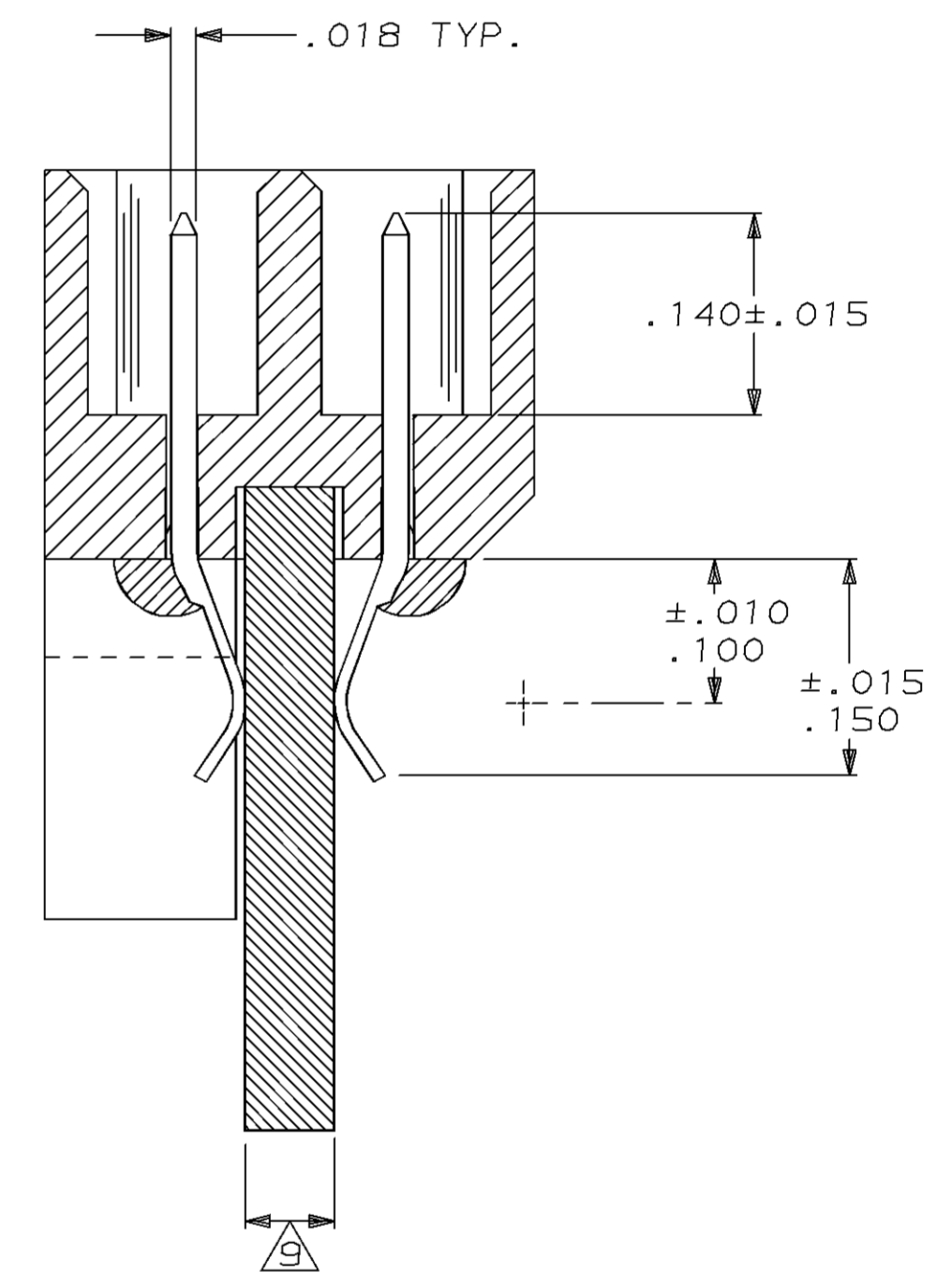
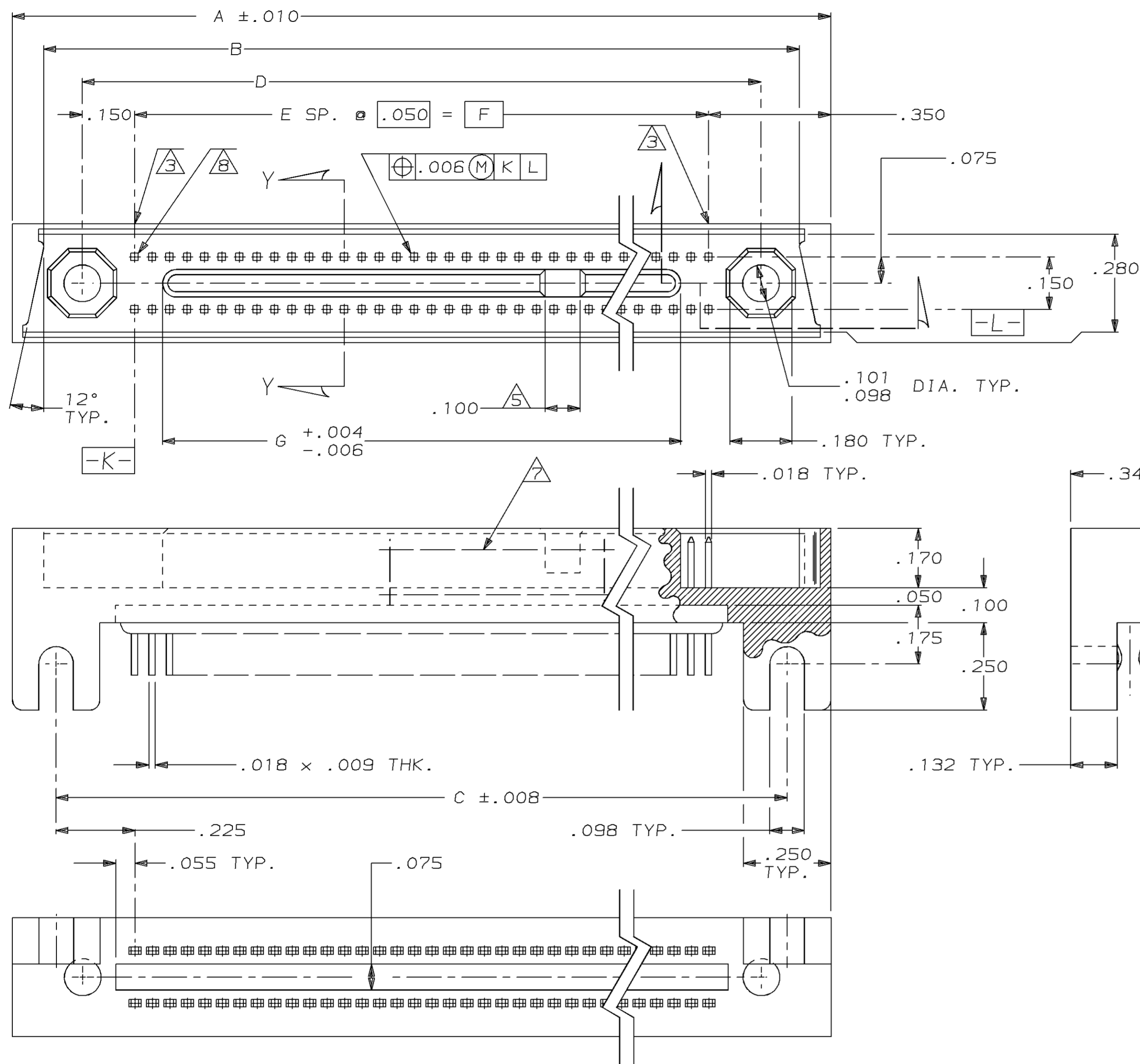


THIS DRAWING IS UNPUBLISHED. RELEASED FOR PUBLICATION, 19 .
 © COPYRIGHT 19 BY AMP INCORPORATED. ALL INTERNATIONAL RIGHTS RESERVED.

PROD CODE	LOC	DIST	P	F	ZONE	LTR	DESCRIPTION	DATE	APPD	
5327	DF	FO					REV & REDWN PER DF-5332	A.G.	1-7-92	DG
							REV PER EC DF-5470	TA	2-10-92	DG
							REV PER 0600-1388-93	TA	5-4-94	DG



SECTION Y-Y
SCALE 8:1
(ROT. 90° CW)

DO NOT SCALE PRINT.
UNLESS SPECIFIED
DIMENSIONS IN INCHES
TOLERANCES ON:
2 PLC DEC ± -
3 PLC DEC ± .005
ANGLES ± -
MATERIAL
FINISH

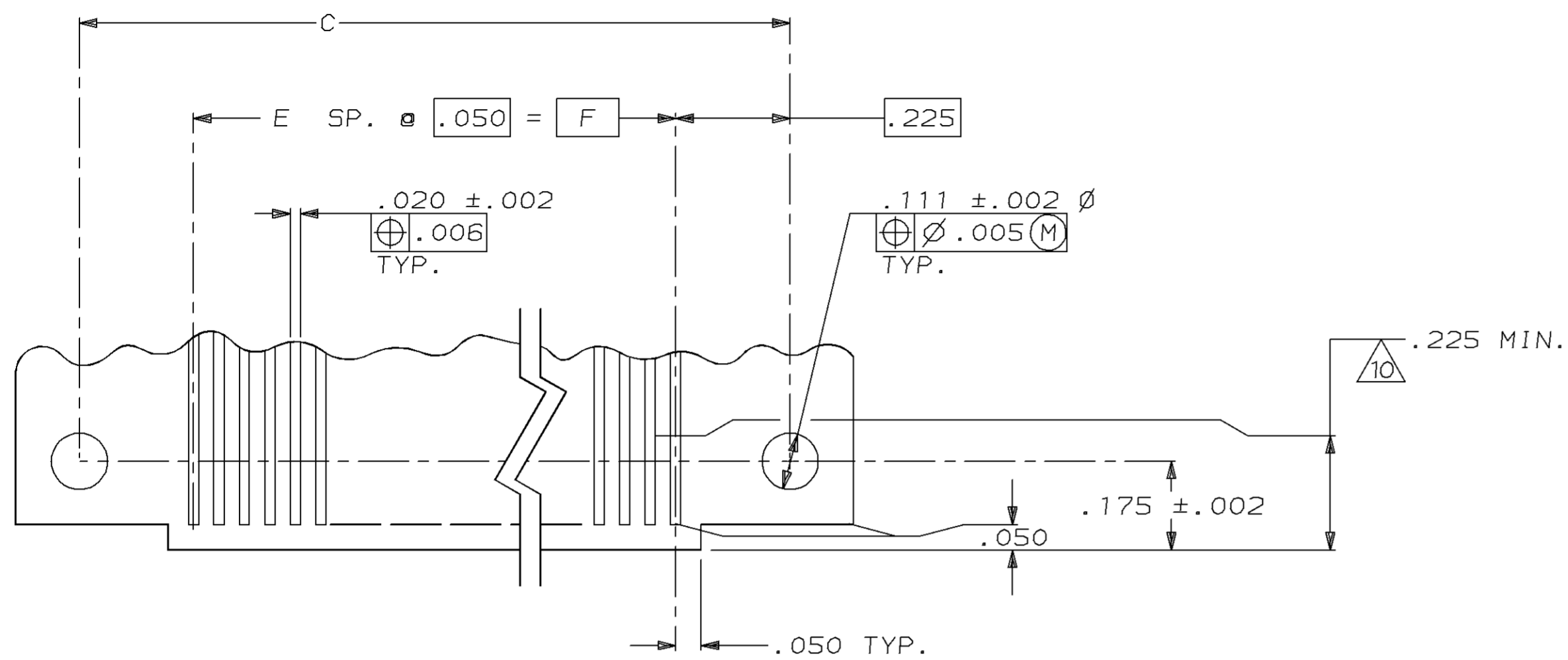
1 2
6

DR	W. LEUFERT	5-9-89
CHK	D. GUTTER	1-14-92
APPD	D. GUTTER	1-14-92
APPD	T. ALEXANDER	1-17-92
PRODUCT SPEC	-	
APPLICATION SPEC	-	
WEIGHT	-	

AMP INCORPORATED Harrisburg, Pa. 17105		
NAME		
PIN HEADER ASSEMBLY, MINI-BOX, SHROUDED, CARD EXTENDER, MILITARY		
SIZE	FSCM NO	DRAWING NO
C	00779	531803
SCALE	4:1	SHEET
		1 of 2

THIS DRAWING IS UNPUBLISHED. RELEASED FOR PUBLICATION, 19 .
 © COPYRIGHT 19 BY AMP INCORPORATED. ALL INTERNATIONAL RIGHTS RESERVED.

PROD	LOC	DIST	REVISIONS				
5327	DF	FO	ZONE	LTR	DESCRIPTION	DATE	APPD
			G		SEE SHEET 1 TA	-	-



RECM. .P.C. BD. LAYOUT

M55302/118-22	1 & 64	2.990	3.150	63	3.450	3.600	3.670	3.850	128	2-531803-2
M55302/118-21	1 & 55	2.540	2.700	54	3.000	3.150	3.220	3.400	110	2-531803-1
M55302/118-20	1 & 50	2.290	2.450	49	2.750	2.900	2.970	3.150	100	2-531803-0
M55302/118-19	1 & 45	2.040	2.200	44	2.500	2.650	2.720	2.900	90	1-531803-9
M55302/118-18	1 & 40	1.790	1.950	39	2.250	2.400	2.470	2.650	80	1-531803-8
M55302/118-17	1 & 35	1.540	1.700	34	2.000	2.150	2.220	2.400	70	1-531803-7
M55302/118-16	1 & 30	1.290	1.450	29	1.750	1.900	1.970	2.150	60	1-531803-6
M55302/118-15	1 & 25	1.040	1.200	24	1.500	1.650	1.720	1.900	50	1-531803-5
M55302/118-14	1 & 20	.790	.950	19	1.250	1.400	1.470	1.650	40	1-531803-4
M55302/118-13	1 & 15	.540	.700	14	1.000	1.150	1.220	1.400	30	1-531803-3
M55302/118-12	1 & 10	.290	.450	9	.750	.900	.970	1.150	20	1-531803-2
					SUPSD BY 2--2					1-531803-1
					SUPSD BY 2--1					1-531803-0
					SUPSD BY 2--0					531803-9
					SUPSD BY 1--9					531803-8
					SUPSD BY 1--8					531803-7
					SUPSD BY 1--7					531803-6
					SUPSD BY 1--6					531803-5
					SUPSD BY 1--5					531803-4
					SUPSD BY 1--4					531803-3
					SUPSD BY 1--3					531803-2
					SUPSD BY 1--2					531803-1
MILITARY PART NO.	CAVITY IDENT	G	F	E	D	C	B	A	POSN.	PART NO.

- ① HOUSING MATERIAL: LIQUID CRYSTAL POLYMER PER MIL-M-24519, GLCP-30F; COLOR: GRAY.
- ② CONTACT MATERIAL: BRASS.
- ③ END CAVITY IDENTIFICATION NUMBERS, MARKED, (SEE TABLE).
- 4. MUST MEET REQUIREMENTS OF MIL-C-55302.
- ⑤ EXCEPT 20 THRU 50 POSITIONS.
- ⑥ CONTACT FINISH: TABS; TIN-LEAD PLATED FOR SOLDERABILITY OVER NICKEL PER MIL-C-55302.
- ⑦ "AMP", 00779, AMP P/N, MILITARY P/N & DATE CODE, MARKED THIS APPROXIMATE AREA, FAR SIDE.
- ⑧ CAVITY NO. 1
- ⑨ .070/.054 THICK PRINTED CIRCUIT BOARD.
- ⑩ MINIMUM PAD LENGTH ON PRINTED CIRCUIT BOARD.

DO NOT SCALE PRINT. UNLESS SPECIFIED DIMENSIONS IN INCHES TOLERANCES ON: 2 PLC DEC ± - 3 PLC DEC ± .005 ANGLES ± -	DR W. LEUFERT 5-9-89	AMP INCORPORATED Harrisburg, Pa. 17105
MATERIAL ① ②	CHK D. GUTTER 1-14-92	
FINISH ⑥	APPD D. GUTTER 1-14-92	NAME PIN HEADER ASSEMBLY, MINI-BOX, SHROUDED, CARD EXTENDER, MILITARY
	APPD T. ALEXANDER 1-17-92	
	PRODUCT SPEC -	SIZE C
	APPLICATION SPEC -	FSCM NO 00779
	WEIGHT -	DRAWING NO 531803
		SCALE 4:1
		SHEET 2 of 2

X-ON Electronics

Largest Supplier of Electrical and Electronic Components

Click to view similar products for [Rectangular Mil Spec Connectors](#) category:

Click to view products by [TE Connectivity](#) manufacturer:

Other Similar products are found below :

[006-1169-16](#) [CSR31343-0001-00000](#) [CSR31346-0001-A0001](#) [CSR31899-0001-00000](#) [CSR31900-0001-A0001](#) [CTJ-3D-05](#) [CTS-S16/16](#)
[M55302/57A36X](#) [M55302/58-A70Y](#) [65002-062](#) [65008-D08](#) [CY4602-000](#) [732-8020-01](#) [732-8021-02 B](#) [77058-22-55PN](#) [81542-20](#)
[86.030.0053.0](#) [1241346-1](#) [RM252-020-311-2900](#) [DMC-M 08-16 SNE](#) [1589051-4](#) [BACC65CAMA](#) [BACC65CAMN](#) [BACC65CP1PN](#)
[BACI10BC1220PN](#) [18023-9](#) [HSB-D4S03DM222X](#) [2217548-1](#) [891-009-15SA2-BRT1T](#) [SIM2S100A](#) [1604996-2](#) [SMD25PN90L-4055](#)
[1925036-4](#) [220A012-25225-0](#) [22628-10-6P-791](#) [CSR31343-0001-A0001](#) [CSR31899-0001-A0001](#) [CSR31900-0001-00000](#) [33526M11-08PD](#)
[RE04-212S](#) [CTD160E01F-6148](#) [CTJ112E03B](#) [CTJ122E02D-8000](#) [CTJ-3D-12](#) [CTJ920E06N-513](#) [CTL-16-090](#) [CTR06-5100SY](#)
[M55302/63A20H](#) [M55302/66-30H](#) [M81714/63-22S W/PLUGS INS](#)