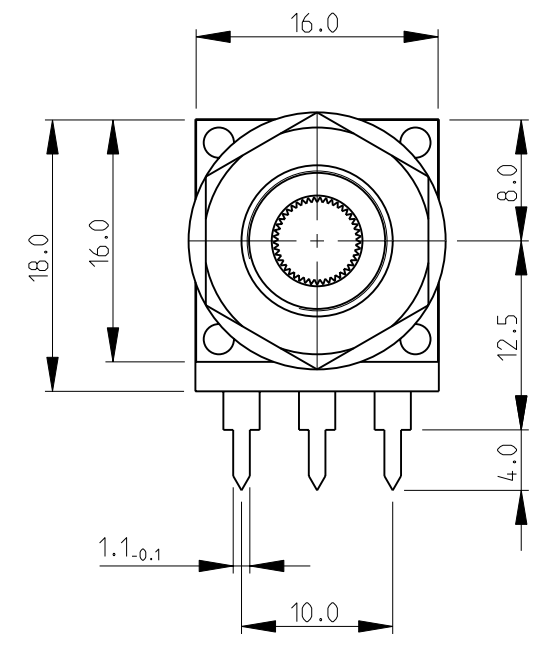
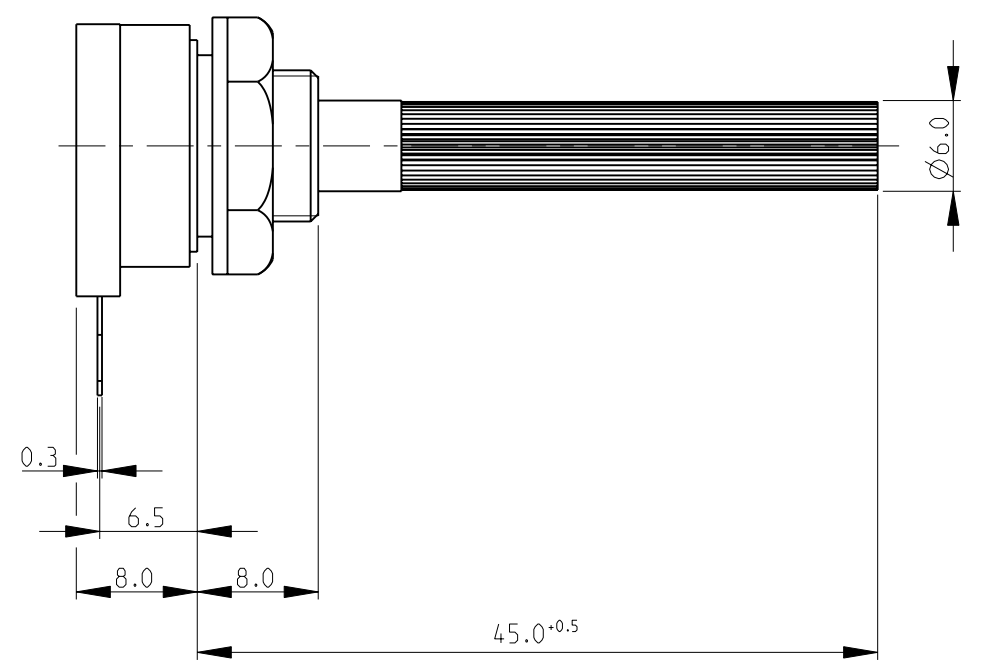


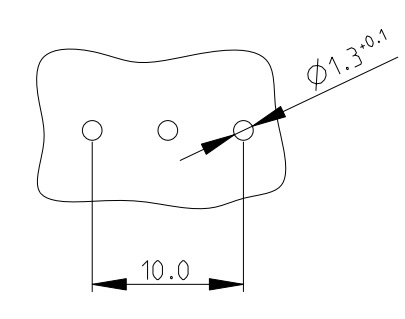
THIS DRAWING IS UNPUBLISHED. RELEASED FOR PUBLICATION 2008  
 © COPYRIGHT 2008 BY - ALL RIGHTS RESERVED.

| LOC |     | DIST                      |           | REVISIONS |      |  |  |
|-----|-----|---------------------------|-----------|-----------|------|--|--|
| P   | LTR | DESCRIPTION               | DATE      | DWN       | APVD |  |  |
| BA1 |     | REVISED PER ECO-11-005150 | 28MAR2011 | RK        | HMR  |  |  |

SERIES CP16SH10IP06\*

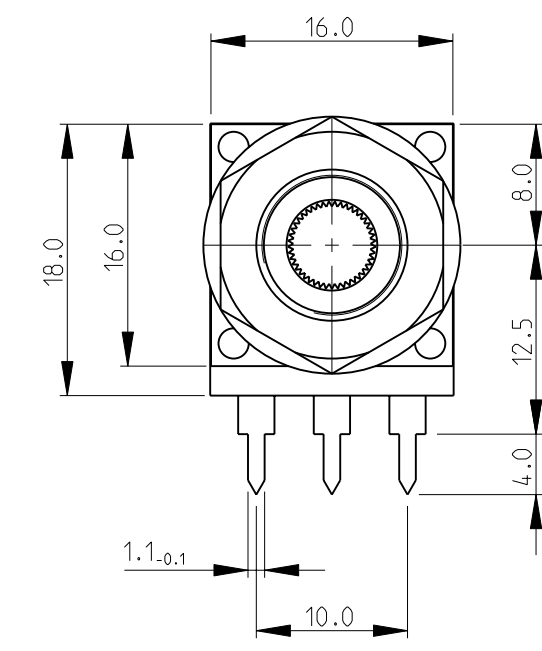
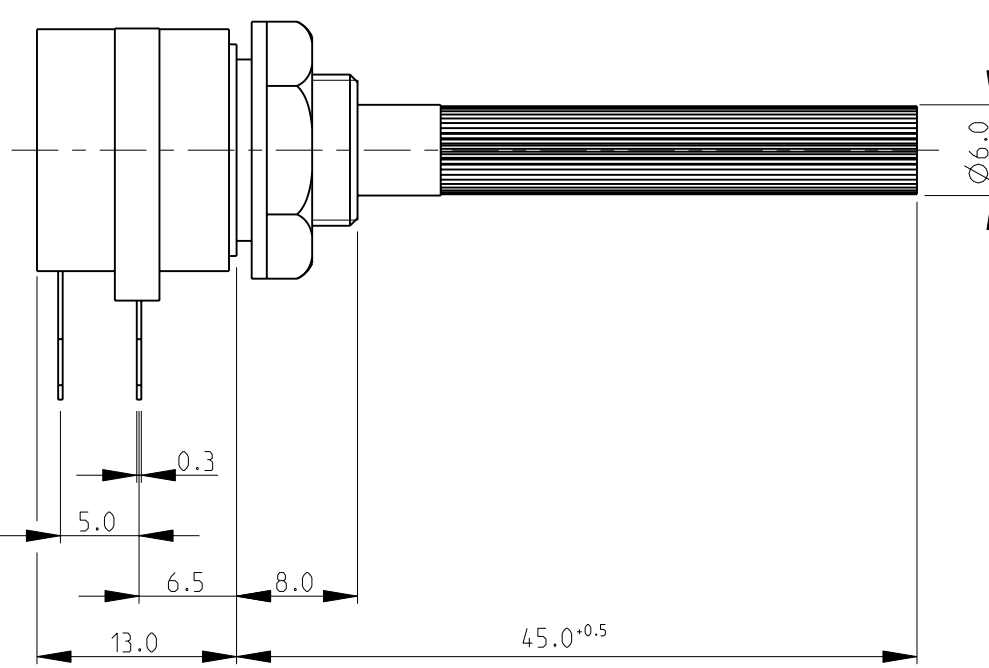


PCB LAYOUT PLAN

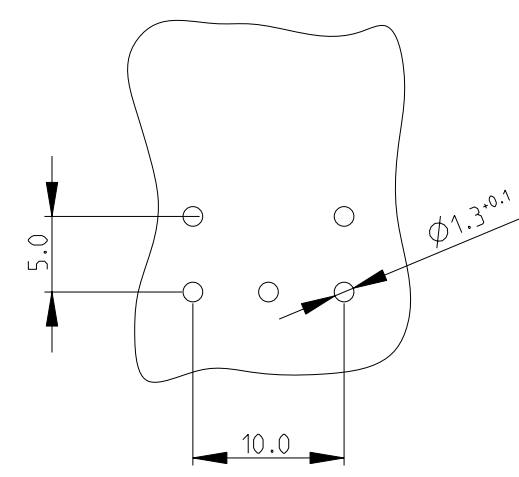


FOR FURTHER INFORMATION SEE DATA SHEET FOR SERIES CP16 - SPINDLE OPERATED POTENTIOMETERS

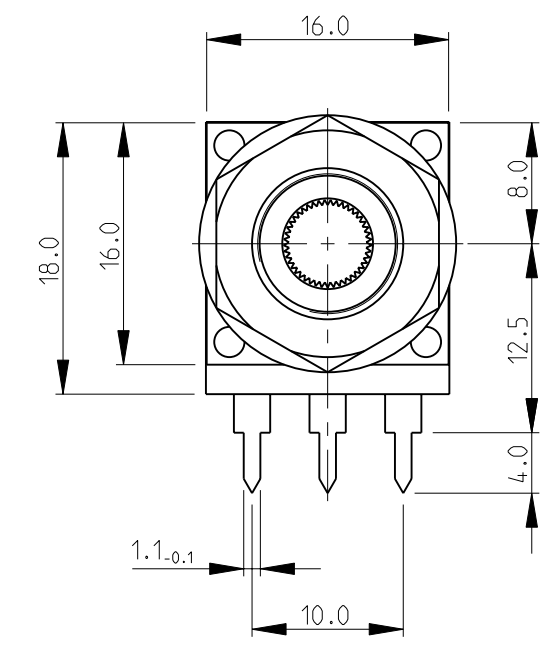
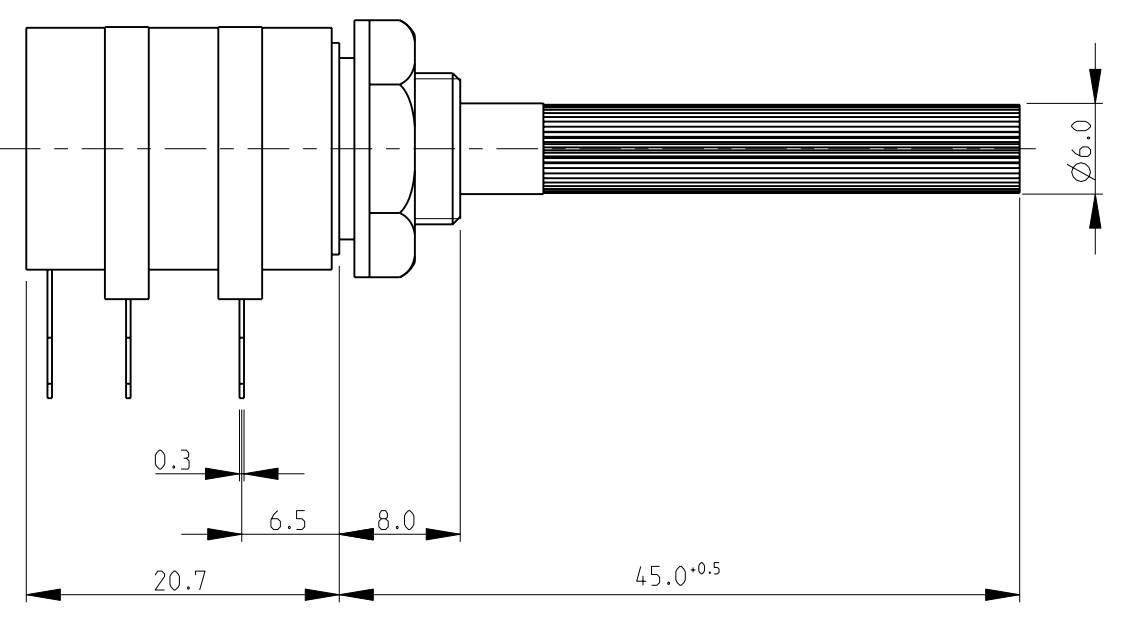
SERIES CP16SH10IP6\*....I



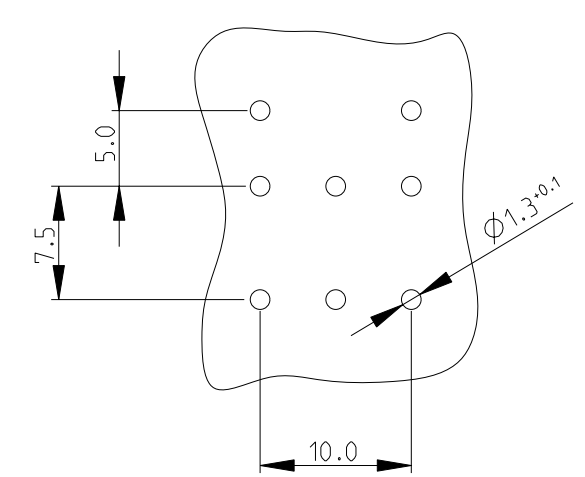
PCB LAYOUT PLAN



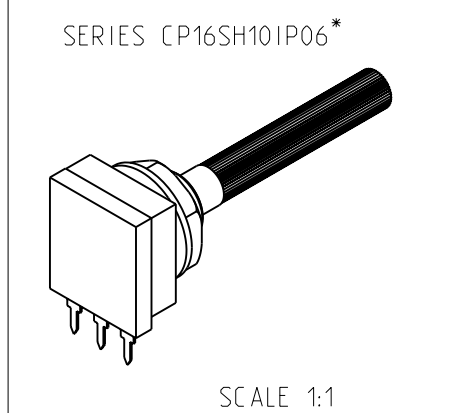
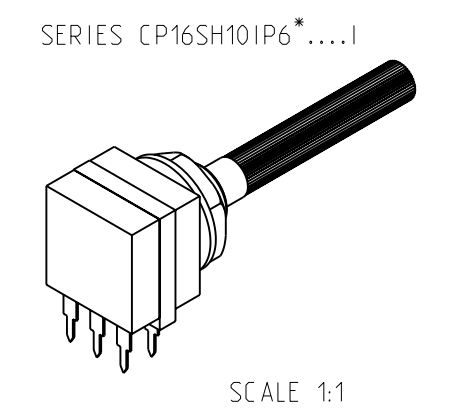
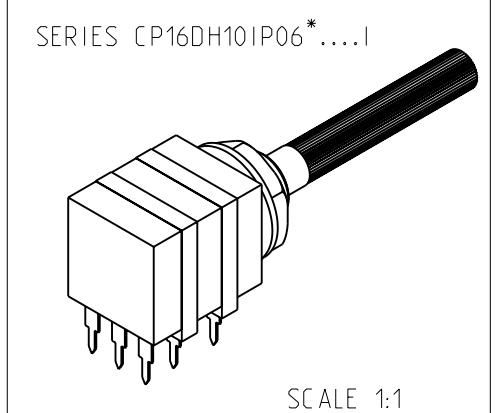
SERIES CP16DH10IP06\*....I



PCB LAYOUT PLAN



RoHS Compliant



|   |  |                          |   |                 |
|---|--|--------------------------|---|-----------------|
| THIS DRAWING IS A CONTROLLED DOCUMENT.  |  | DWN SUBHASH.M 02-DEC-08  | TE Connectivity                                 |                 |
| DIMENSIONS: mm  |  | CHK PRAKASH.S 02-DEC-08  |   |                 |
| TOLERANCES UNLESS OTHERWISE SPECIFIED:  |  | APVD STEPHEN.P 02-DEC-08 | NAME SPINDLE OPERATED POTENTIOMETER SERIES CP16 |                 |
| 0 PLC ±0.2<br>1 PLC ±0.1<br>2 PLC ±0.1<br>3 PLC ±<br>4 PLC ±<br>ANGLES ±5°<br>MATERIAL FINISH |  | PRODUCT SPEC -           | SIZE A2   | CAGE CODE 00779 |
|   |  | APPLICATION SPEC -       | DRAWING NO C-1676003                            | RESTRICTED TO - |
|   |  | WEIGHT -                 | SCALE 2:1                                       | SHEET 1 OF 1    |
|   |  | CUSTOMER DRAWING         | REV BA1   |                 |

## X-ON Electronics

Largest Supplier of Electrical and Electronic Components

*Click to view similar products for [Potentiometers](#) category:*

*Click to view products by [TE Connectivity](#) manufacturer:*

Other Similar products are found below :

[590SX1N32F103SS](#) [006-0-1](#) [591SXJ48S252SC](#) [D31409](#) [70B1G048K502X-A](#) [70B1M032S502W](#) [70B8N056F502W](#) [70J8N048S104U](#)  
[70L1N048S103W](#) [81R1A-R22-A20L](#) [85A2A-B28-B27/R51](#) [GS1G044P103UA](#) [GS1T032S103UA](#) [A47-200K](#) [A4720K](#) [RA20LASD251A](#)  
[132-0-0-502](#) [132-2-0-202](#) [132-0-0-102](#) [132-0-0-103](#) [132B00301](#) [RK14K1220-F25-C0-A103](#) [RK14K1220F25C0C104](#) [RK14K1220-F25-C1-](#)  
[B103](#) [14910AABHSX10102KA](#) [14910F0GJSX10105KA](#) [14910FAGJSX10102KA](#) [14910FBGLFY00103KA](#) [14910AABHSX10103KA](#)  
[14910AABHSX10502KA](#) [14910FAGJSX10104KA](#) [ASM6674E](#) [152-01031](#) [P140KH1-F15AR50K](#) [P170SPD-FC15BR10K](#) [P231-EC20BR5K](#)  
[P270-109A](#) [J97589](#) [P9A2R000FISX1103MA](#) [248BBHS0XB25104MA](#) [248BBHS0XB25503MA](#) [RV170F-10-15R1-B500K-0021](#) [RV24AF-](#)  
[10-15R1-B500-3](#) [A43-750](#) [A47-15K](#) [A4750K](#) [SPPG048S103U](#) [SPPG056P103U](#) [SWE-10](#) [GA2G040F103BA](#)