



Controlmec TM is a five position integrated switch solution, designed for outdoor, dusty and humid applications, to control a unit, navigate in a display, operate auxiliary equipment on a vehicle, boat or similar. The Controlmec is sealed to IP67, and exist of:

- One complete solid cap, with recess on the back site for the seal efficiency
- The unit panel plate (customers design)
- A gasket to seal between the cap, and the panel.
- A support ring to ensure the right position of sealing behind the front plate
- And then the PCB including the switches

The PCB with the switches, shall be assembled according to the MEC datasheet, and mounted to the back side of the front panel by bolts, to ensure the right pressure for the sealing efficiency.

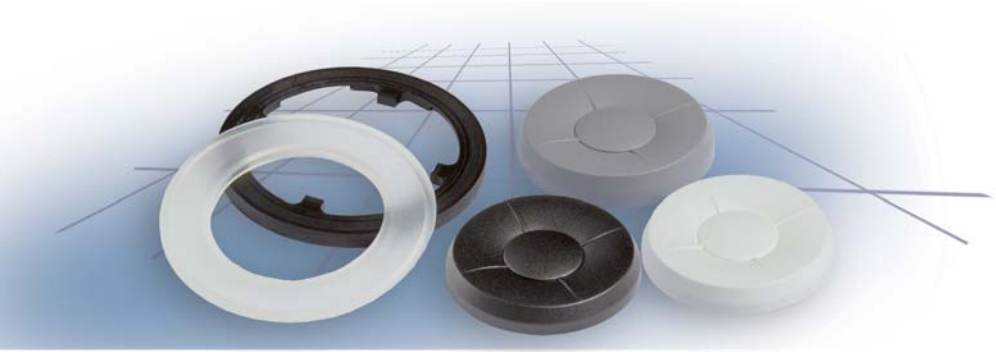
The Controlmec is an extension of the Navimec system which includes the Multimec switches, of excellent high quality and long lifetime. Configurations can be made with through hole or SMD switch versions, provided they are accurately positioned.



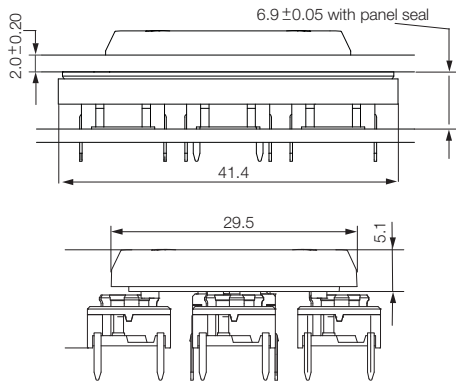
Distributor:

Technical Data

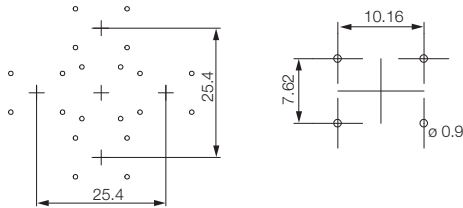
- through-hole or SMD
- 50mA/24VDC
- single pole/momentary
- 10.000.000 operations life time
- IP67 sealing
- temperature range:
LED: -40/+85°C
solid cap +65°C
transparent +85°C
- actuation force: 2.0, 3.5, 6.5 N



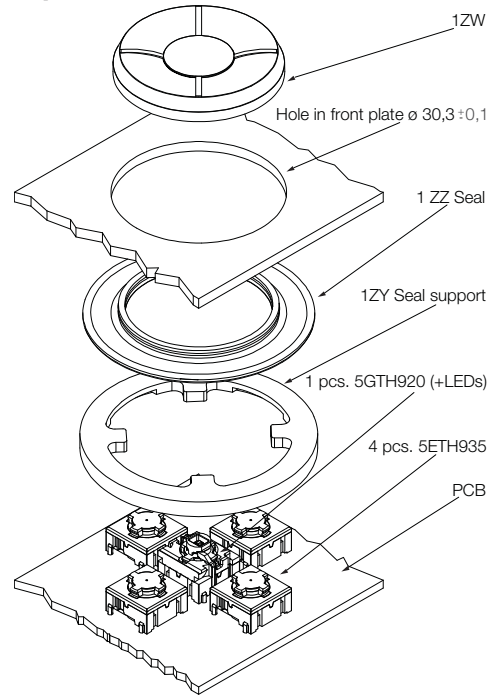
Dimensions 1ZW



Recommended PCB layout



Mounting example



HOW TO ORDER

5 G	<input type="text"/>	<input type="text"/>	<input type="text"/>	<input type="text"/>	<input type="text"/>	<input type="text"/>	<input type="text"/>
Switch	Mounting	Actuation force	LED	Cap for seal 1ZW	Colour code	Seal 1ZZ	Seal support 1ZY
	TH9 through-hole	20	01 blue		00 blue		
	SH9 surface mount	35	22 green		02 green		
		65	42 yellow		03 grey		
			61 white		04 yellow		
			82 red		06 white		
			2242 green/yellow		08 red		
			8222 red/green		09 black		
			8242 red/yellow		11 transparent		
					16 frosted white		

5 E	<input type="text"/>	<input type="text"/>
Switch	Mounting	Actuation force
	TH9 through-hole	20
	SH9 surface mount	35
		65

See colour codes on our website: www.mec.dk
Dimensions (mm) Unless otherwise specified, all tolerances ±0,2

Ordering example (sealed version) 1ZW: 1 x 5GTH920 + 4 x 5ETH935 + 1ZW03 + 1ZZ + 1ZY

X-ON Electronics

Largest Supplier of Electrical and Electronic Components

Click to view similar products for [Multi-Directional Switches](#) category:

Click to view products by [Multimec](#) manufacturer:

Other Similar products are found below :

[SRBE210100](#) [T4-TCJ3332](#) [T5-NH1118](#) [RKJXW1014002](#) [T4-TCK3312](#) [MJTP1140AAUTR](#) [MJTP1138DTB](#) [3J2115-200N](#) [T2-0018](#) [T2-MC2112](#) [T5-CK2212](#) [PHAP4383V](#) [3J2015-200N](#) [CS41001E](#) [EVQ-Q3AA15](#) [SRBD170401](#) [T4-0010](#) [1.20.126.514/0000](#) [5D001-BKKKKKAWXWXWXWX-W200](#) [SRBD150201](#) [T8-CM111N](#) [T4-CN211N](#) [T4-CD2212](#) [T1-CB2112](#) [RKJXK122000D](#) [RKJXK122400Y](#) [RKJXL100401V](#) [RKJXM2E13001](#) [RKJXM2E13004](#) [RKJXS1004001](#) [RKJXT1F42001](#) [RKJXV1224005](#) [RKJXY100000A](#) [SKRHAAE010](#) [SKRHABE010](#) [SKRHACE010](#) [SKRHADE010](#) [SKSDPCE010](#) [SKSKPBE010](#) [SLLB120100](#) [SLLB120300](#) [SLLB310500](#) [SLLB510100](#) [SLLB510200](#) [SLLB520100](#) [SLLQ110100](#) [SLLQ120100](#) [SPVT110102](#) [SPVT210101](#) [SRBD110401](#)