

San Ace 92 9CRA type

Counter Rotating Fan

Features

High Airflow and High Static Pressure

The maximum airflow has increased by 14% compared with our conventional product.*
 Furthermore, it has achieved industry-leading maximum static pressure of 1,650 Pa.
 It provides effective cooling especially for high density equipment.

*: Compared with when two of our conventional DC fan, 92 × 92 × 38 mm San Ace 92 9HV type (model no.: 9HV0912P1G001), are connected in series for operation.



92 × 92 × 76 mm

Specifications

The following nos. have **PWM controls, pulse sensors.**

Model no.	Rated voltage [V]	Operating voltage range [V]	PWM duty cycle (Note 1, 2) [%]	Rated current [A]	Rated input [W]	Rated speed [min ⁻¹]		Max. airflow [m ³ /min] [CFM]		Max. static pressure [Pa] [inchH ₂ O]		SPL [dB(A)]	Operating temperature [°C]	Expected life (Note 3) [h]
						Inlet	Outlet							
9CRA0912P0G001	12	10.2 to 13.2	100	9.0	108.0	13,300	12,200	5.8	205	1,650	6.63	81	-20 to +70	40,000 / 60 °C (70,000 / 40 °C)
			20	0.42	5.04	3,500	3,200	1.48	52.3	140	0.56	47		
9CRA0948P0G601	48	36 to 60	100	2.2	105.6	13,300	12,200	5.8	205	1,650	6.63	81		
			20	0.15	7.20	3,500	3,200	1.48	52.3	140	0.56	47		

Note 1: PWM frequency: 25 kHz Note 2: Fan does not rotate when PWM duty cycle is 0%. Note 3: Expected life at 40 °C ambient is just reference value.

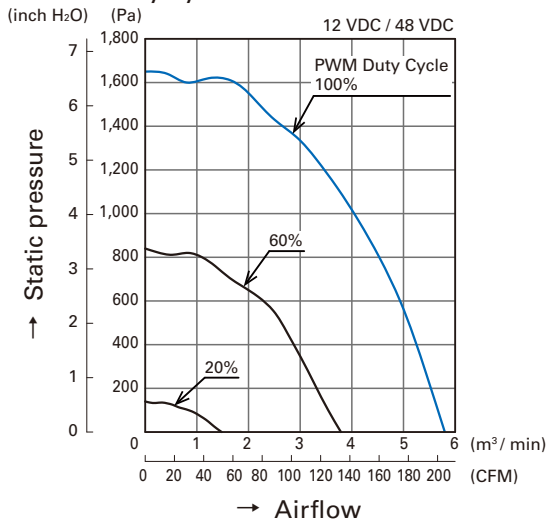
Models with the following sensor specifications are also available as options: Without sensor Pulse sensor Lock sensor

Common Specifications

- Material Frame, Impeller: Plastics (Flammability: UL94V-0)
- Expected life Refer to specifications
(L10: Survival rate: 90% at 60 °C, rated voltage, and continuously run in a free air state)
- Motor protection system Current blocking function and reverse polarity protection
- Dielectric strength 50 / 60 Hz, 500 VAC, 1 minute (between lead conductor and frame)
- Sound pressure level (SPL) Expressed as the value at 1 m from air inlet side
- Operating temperature Refer to specifications (Non-condensing)
- Storage temperature -30 °C to +70 °C (Non-condensing)
- Lead wire Inlet: ⊕ Red ⊖ Black Sensor: Yellow Control: Brown
Outlet: ⊕ Orange ⊖ Gray Sensor: Purple Control: White
- Mass 510 g

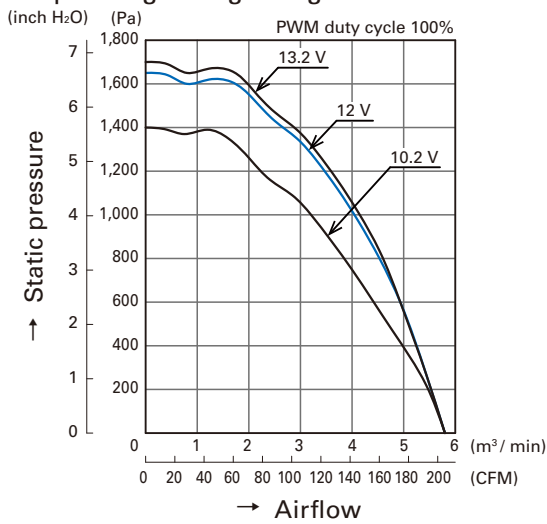
Airflow - Static Pressure Characteristics

• PWM duty cycle

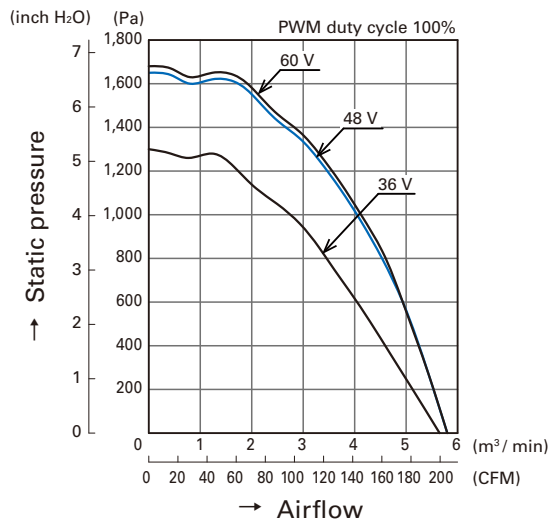


9CRA0912P0G001
9CRA0948P0G601

• Operating voltage range

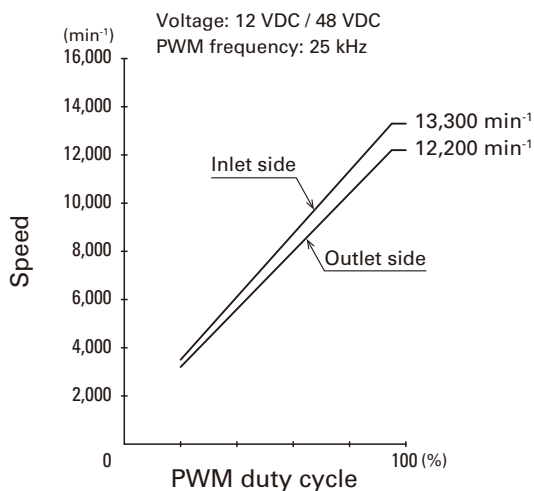


9CRA0912P0G001



9CRA0948P0G601

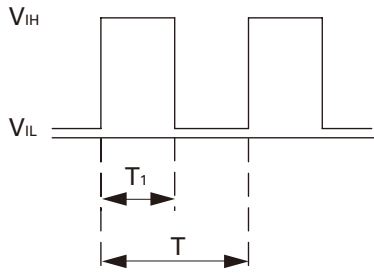
PWM Duty - Speed Characteristics Example



9CRA0912P0G001
9CRA0948P0G601

PWM Input Signal Example

Input signal waveform



$V_{IH}=4.75\text{ V to }5.25\text{ V}$

$V_{IL}=0\text{ V to }0.4\text{ V}$

$$\text{PWM duty cycle (\%)} = \frac{T_1}{T} \times 100$$

$$\text{PWM frequency } 25\text{ (kHz)} = \frac{1}{T}$$

Source current (I_{source}) : 2 mA max. at control voltage 0 V

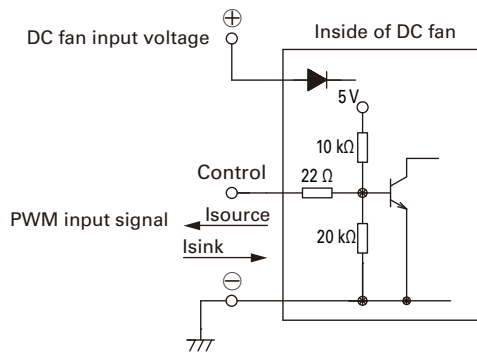
Sink current (I_{sink}) : 2 mA max. at control voltage 5.25 V

Control terminal voltage: 5.25 V max. (Open circuit)

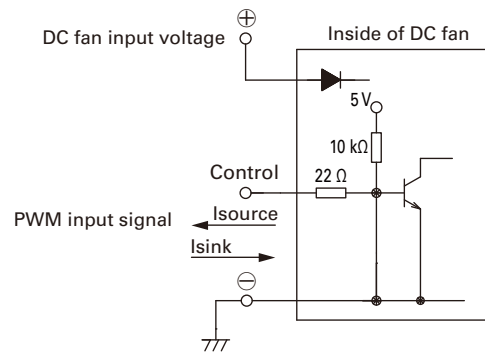
When the control lead wire is open, the fan speed is the same as the one at a PWM duty cycle of 100%.

Either TTL input, open collector or open drain can be used for PWM control input signal.

Example of Connection Schematic



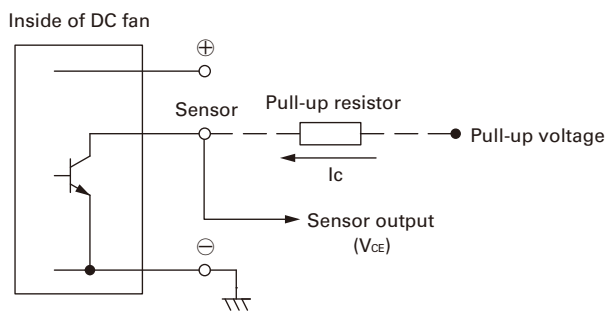
9CRA0912P0G001



9CRA0948P0G601

Specifications for Pulse Sensors

Output circuit: Open collector



Rated voltage 12 V fan

$V_{CE} = +13.8\text{ V max.}$

$I_c = 5\text{ mA max. [}V_{OL} = V_{CE}(\text{SAT}) = 0.6\text{ V max.]}$

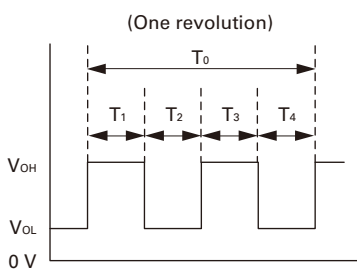
Rated voltage 48 V fan

$V_{CE} = +60\text{ V max.}$

$I_c = 10\text{ mA max. [}V_{OL} = V_{CE}(\text{SAT}) = 0.6\text{ V max.]}$

Output waveform (Need pull-up resistor)

In case of steady running

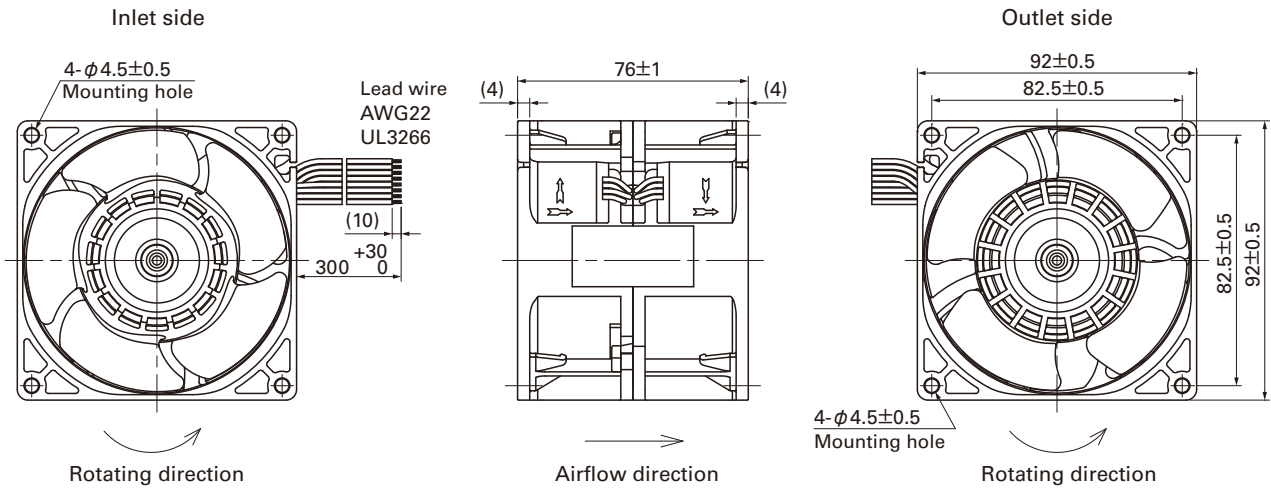


$$T_{1\text{ to }4} \doteq (1/4) T_0$$

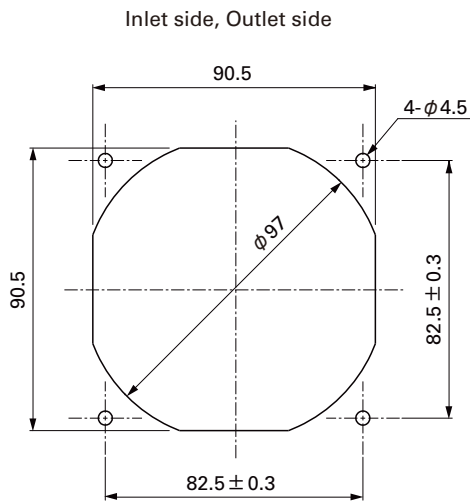
$$T_{1\text{ to }4} \doteq (1/4) T_0 = 60/4N\text{ (sec)}$$

$$N = \text{Fan speed (min}^{-1}\text{)}$$

■ Dimensions (unit: mm)



■ Reference Dimensions of Mounting Holes and Vent Opening (unit: mm)



Notice

- Please read the "Safety Precautions" on our website before using the product.
- The products shown in this catalog are subject to Japanese Export Control Law. Diversion contrary to the law of exporting country is prohibited.
- For protecting fan bearings against electrolytic corrosion near strong electromagnetic noise sources, we provide effective countermeasures such as Electrolytic Corrosion Proof Fans and EMC guards. Contact us for details.

SANYO DENKI CO.,LTD. 3-33-1 Minami-Otsuka, Toshima-ku, Tokyo 170-8451, Japan TEL: +81 3 5927 1020

<http://www.sanyodenki.com>

The names of companies and/or their products specified in this catalog are the trade names, and/or trademarks and/or registered trademarks of such respective companies. "San Ace" is a trademark of SANYO DENKI CO.,LTD.

Specifications are subject to change without notice.

CATALOG No. C1062B003 '16.6

X-ON Electronics

Largest Supplier of Electrical and Electronic Components

Click to view similar products for [DC Fans](#) category:

Click to view products by [Sanyo Denki](#) manufacturer:

Other Similar products are found below :

[614R](#) [6424/2HP-210](#) [8312R](#) [DV4118/2NP-183](#) [AFB0948HH-S687](#) [PFB0824DHE-8B72](#) [G2E085-AA05-10](#) [RD20S-4/210660](#) [4318/12T](#)
[4418HH](#) [AUB0912H-F00](#) [3412N/2ME](#) [K2E225-RA92-09](#) [4184N/2XR](#) [5214N2HH](#) [614J2HHPR-010](#) [8412NGL-12](#) [4114N/12HHR-297](#)
[4656](#) [ZWR-903](#) [4112N12GL-175](#) [KD2406PKB2.\(2\).GN](#) [AFB1248HHE](#) [AFB1212LE-F00](#) [FAN-SCH-1](#) [MF60151V1-1000U-G99](#)
[PF80252V1-1000U-G99](#) [PF92252V1-1000U-G99](#) [4112N/2H6P](#) [4114N/17-251](#) [6212NH](#) [622/2N](#) [712F-011](#) [8218J/2NP-181](#) [W1G180-AB47-](#)
[15](#) [FAA1-12038NBKW31-A](#) [6318N/2TDP](#) [6318N/2H3PU](#) [6318HU](#) [424JMU](#) [PMD1206PTVX-A.U.GN](#) [PF80251B2-000U-F99](#)
[EF40101BX-1000U-G99](#) [AD1224LB-A71GL](#) [9GA0924L4021](#) [9GA0924M4021](#) [9GA0924M4011](#) [9GA0824B20011](#) [9GA0812A2D0011](#)
[9GA0912M4D011](#) [9GA0924W4D01](#)