

Features

- Hermetically Sealed, Metal Enclosure Types (H-suffix)
- U/L Approved for Class 1, Div 2 Hazardous Locations (H-suffix)
- Push-to-Test Button Types (B-suffix)
- Indicator Lamp Types (N-suffix)
- 8-Pin and 11 -Pin Octal Plug-In Types
- SPDT, DPDT and 3PDT Types
- Clear Plastic Dust Cover

AC OPERATED						
NTE TYPE No.	Nom. Voltage	Contact Arr.	Coil Res. Ohms (Typ)	Nom. Power	Max. Contact Cur. @ 28VDC or 120VAC	Diag No.
R02-5A10-12	12VAC	SPDT	-	3.9VA	10A	D1C
R02-5A10-24	24VAC	SPDT	-	3.9VA	10A	D1C
R02-5A10-120	120VAC	SPDT	-	3.9VA	10A	D1C
R02-5A10-240	240VAC	SPDT	-	3.9VA	10A	D1C
R02-11A10-6	6VAC	DPDT	-	2.0VA	10A	D1A
R02-11A10-12	12VAC	DPDT	-	2.0VA	10A	D1A
R02-11A10-24	24VAC	DPDT	-	2.0VA	10A	D1A
R02-11A10-24B	24VAC	DPDT	-	2.0VA	10A	D1A
R02-11A10-24H	24VAC	DPDT	-	3.0VA	10A	D2A
R02-11A10-24N	24VAC	DPDT	-	2.0VA	10A	D1A
R02-11A10-120	120VAC	DPDT	-	2.0VA	10A	D1A
R02-11A10-120B	120VAC	DPDT	-	2.0VA	10A	D1A
R02-11A10-120H	120VAC	DPDT	-	3.0VA	10A	D2A
R02-11A10-120N	120VAC	DPDT	-	2.0VA	10A	D1A
R02-11A10-240	240VAC	DPDT	-	2.0VA	10A	D1A
R02-14A10-6	6VAC	3PDT	-	3.9VA	10A	D1B
R02-14A10-6M	6VAC	3PDT	-	3.9VA	10A	D1B
R02-14A10-12	12VAC	3PDT	-	2.75VA	10A	D1B
R02-14A10-24	24VAC	3PDT	-	2.75VA	10A	D1B
R02-14A10-24B	24VAC	3PDT	-	2.75VA	10A	D1B
R02-14A10-120	120VAC	3PDT	-	2.75VA	10A	D1B
R02-14A10-120B	120VAC	3PDT	-	2.75VA	10A	D1B
R02-14A10-120H	120VAC	3PDT	-	3.0VA	10A	D2B
R02-14A10-120N	120VAC	3PDT	-	2.75VA	10A	D1B
R02-14A10-240	240VAC	3PDT	-	2.75VA	10A	D1B
DC OPERATED						
R02-5D10-6	6VDC	SPDT	30	1.2W	10A	D1C
R02-5D10-12	12VDC	SPDT	120	1.2W	10A	D1C
R02-5D10-110	110VDC	SPDT	10K	1.2W	10A	D1C
R02-11D10-6	6VDC	DPDT	30	1.2W	10A	D1A
R02-11D10-12	12VDC	DPDT	120	1.0W	10A	D1A
R02-11D10-12B	12VDC	DPDT	120	1.0W	10A	D1A
R02-11D10-12H	12VDC	DPDT	100	1.5W	10A	D2A
R02-11D10-12N	12VDC	DPDT	120	1.0W	10A	D1A
R02-11D10-24	24VDC	DPDT	470	1.0W	10A	D1A
R02-11D10-24B	24VDC	DPDT	470	1.0W	10A	D1A
R02-11D10-24H	24VDC	DPDT	472	1.2W	10A	D2A
R02-11D10-24N	24VDC	DPDT	470	1.0W	10A	D1A
R02-11D10-48	48VDC	DPDT	1630	1.5W	10A	D1A
R02-11D10-110	110VDC	DPDT	10K	1.2W	10A	D1A
R02-11D10-110H	110VDC	DPDT	8K	1.5W	10A	D2A
R02-14D10-6	6VDC	3PDT	30	1.2W	10A	D1B
R02-14D10-12	12VDC	3PDT	120	1.0W	10A	D1B
R02-14D10-12B	12VDC	3PDT	120	1.0W	10A	D1B
R02-14D10-24	24VDC	3PDT	470	1.0W	10A	D1B
R02-14D10-24B	24VDC	3PDT	470	1.0W	10A	D1B
R02-14D10-48	48VDC	3PDT	1630	1.5W	10A	D1B
R02-14D10-110	110VDC	3PDT	10K	1.2W	10A	D1B

Note 1. R02 Series hermetically sealed relays (H-suffix) are UL recognized for Class 1, Division 2 (Hazardous locations).

ACCESSORIES		
MOUNTING STYLES	DESCRIPTION	NTE TYPE NO.
SURFACE MOUNT	8-PIN OCTAL	R95-101
	11-PIN OCTAL	R95-104
DIN RAIL MOUNT	8-PIN OCTAL	R95-113, R95-181
	11-PIN OCTAL	R95-114, R95-182
PANEL MOUNT	8-PIN OCTAL	R95-118
	11-PIN OCTAL	R95-119

R02 Series



General Purpose, 10 Amp Multicontact AC and DC Relays.



Electrical Specifications

Contact

Contact Rating

Poles	120VAC	240VAC	28VDC Max
SPDT	10A (1/10 HP)	10A (1/6 HP)	6A
DPDT	10A (1/3 HP)	10A (1/3 HP)	10A
3PDT	10A (1/3 HP)	6A (1/2 HP)	6A

Contact Material: 3/16" Silver cadmium oxide

Contact Resistance: 0.050 ohms max initial

Coil

Coil Voltages: See Chart

Pick-up Voltage: 80% of nominal or less, DC
80% of nominal or less, AC

Resistance: See chart

Min Sensitivity: (125mW per pole)

Duty Cycle: Continuous

Operational Characteristics

Timing Values Operate Time: 25 ms or less } at nominal
Release Time: 20 ms or less } coil voltage

Insulation Characteristics

Dielectric Strength

Contact To Coil: 1500 VRMS

Across Open Contacts: 1000 VRMS

Pole to Pole: 1500 VRMS

Contacts To Frame: 1500 VRMS

Insulation Material: Molded polyester

Insulation Resistance: 1 x 10³ megohms min

Environmental Characteristics

Operating: -10°C to +50°C (AC), -10°C to +60°C (DC)

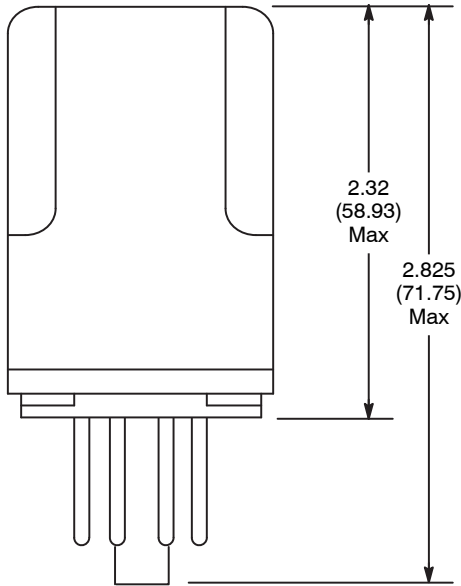
Non-operating (storage): -30°C to +105°C

Weight

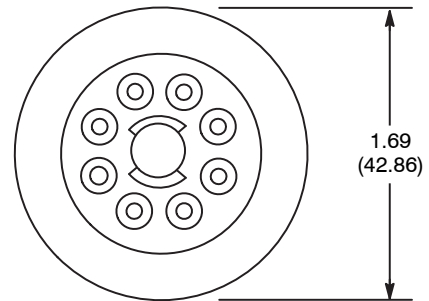
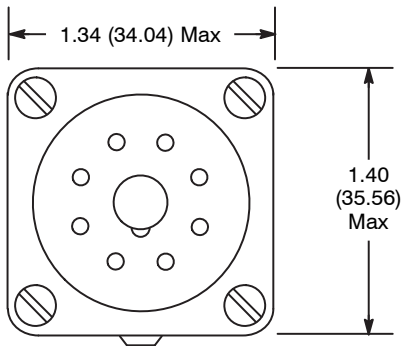
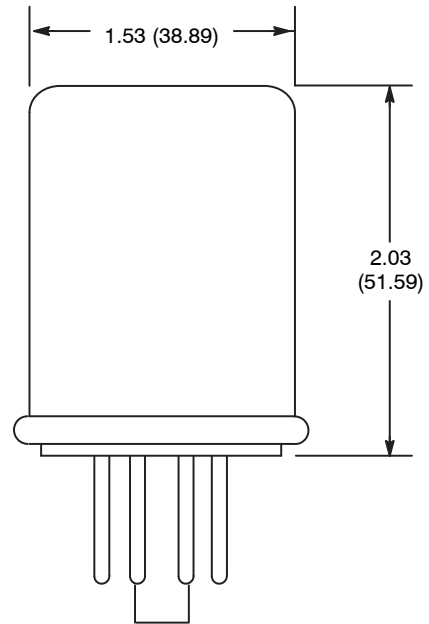
Std: 3 1/2 ozs (99.2 grams)—typical

Hermetic sealed: 5 ozs (141.7 grams)—typical

D1

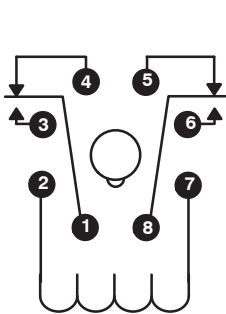


D2



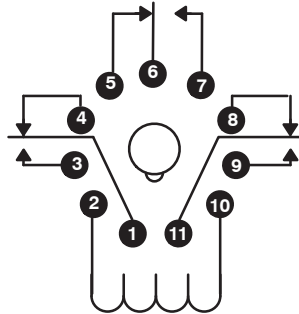
Note: Models with "N" suffix will have indicator lamp connected across coil.

A (DPDT), 2 Form "C"



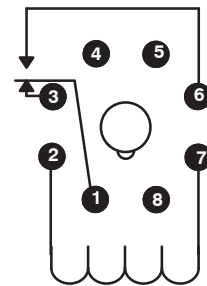
Viewed from Pin end of Plug

B (3PDT), 3 Form "C"



Viewed from Pin end of Plug
Note: R02-14A10-120H has Pin5 and Pin6 Reversed.

C (SPDT), 1 Form "C"



Viewed from Pin end of Plug

X-ON Electronics

Largest Supplier of Electrical and Electronic Components

Click to view similar products for [General Purpose Relays](#) category:

Click to view products by [NTE](#) manufacturer:

Other Similar products are found below :

[APF30318](#) [JVN1AF-4.5V-F](#) [PCN-105D3MHZ](#) [5JO-10000S-SIL](#) [5JO-1000CD-SIL](#) [5JO-400CD-SIL](#) [LY2S-AC220/240](#) [LYQ20DC12](#)
[6031007G](#) [6131406HQ](#) [6-1393099-3](#) [6-1393099-8](#) [6-1393122-4](#) [6-1393123-2](#) [6-1393767-1](#) [6-1393843-7](#) [6-1415012-1](#) [6-1419102-2](#) [6-](#)
[1423698-4](#) [6-1608051-6](#) [6-1608067-0](#) [6-1616170-6](#) [6-1616248-2](#) [6-1616282-3](#) [6-1616348-2](#) [6-1616350-1](#) [6-1616350-8](#) [6-1616358-7](#) [6-](#)
[1616359-9](#) [6-1616360-9](#) [6-1616931-6](#) [6-1617039-1](#) [6-1617052-1](#) [6-1617090-2](#) [6-1617090-5](#) [6-1617347-5](#) [6-1617353-3](#) [6-1617801-8](#) [6-](#)
[1617802-2](#) [6-1618107-9](#) [6-1618248-4](#) [M83536/1-027M](#) [CX-4014](#) [MAHC-5494](#) [MAVCD-5419-6](#) [703XCX-120A](#) [7-1393100-5](#) [7-1393111-7](#)
[7-1393144-5](#) [7-1393767-8](#)