

1.6 Cable Ties and Fixings

Clips and Clamps



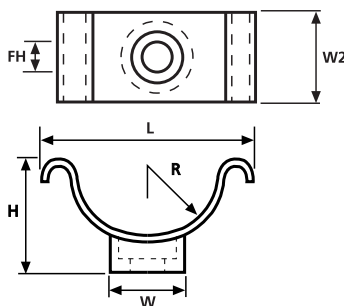
Cradle Clips

Features and Benefits

A simple, versatile method of bundling cables - the clamp consists of two parts, the "clip base" for mounting onto a panel, and the elasticated "loop". Suitable for pre-assembly, prototyping or applications requiring the addition or removal of cables. The loop is simply stretched over the clip offering a simple and quick method of containing cables.

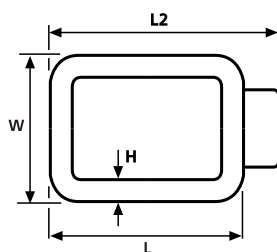


Cradle Clip.



Cradle Clip C1 - 3

Material Data	
Material	Polyamide 6.6 (PA66)
Operating Temperature	-40 °C to +85 °C Continuous, (+105 °C for 500 h)
Flammability	UL94 V2



Retaining Ring R1 - 3

Material Data	
Material	Flexible Polyvinyl Chloride, cadmium free (PVC)
Operating Temperature	-35 °C to +85 °C
Flammability	UL94 V2

Technical Table

Article-No.	Type	Length (L)	Length (L2)	Width (W)	Width (W2)	Height (H)	Radius (R)	Fixing Hole Ø (FH)	Material	Colour
201-10010	C1	25.0	-	12.7	15.5	14.0	6.3	4.8	PA66	Black (BK)
201-10020	C2	35.0	-	12.7	15.5	18.0	11.0	4.8	PA66	Black (BK)
201-10030	C3	48.0	-	12.7	15.5	25.0	17.5	4.8	PA66	Black (BK)
201-20010	R1	16.0	22.0	23.8	-	3.2	-	-	PVC	Black (BK)
201-20020	R2	22.0	29.0	23.8	-	3.2	-	-	PVC	Black (BK)
201-20030	R3	33.0	39.0	23.8	-	3.2	-	-	PVC	Black (BK)

All dimensions in mm. Subject to technical changes.

X-ON Electronics

Largest Supplier of Electrical and Electronic Components

Click to view similar products for [Wire Identification](#) category:

Click to view products by [Hellermann](#) manufacturer:

Other Similar products are found below :

[CU6337-000](#) [CU6342-000](#) [FCA-410-12](#) [11631010](#) [1-1768037-1](#) [1-1768037-2](#) [1-1768050-0](#) [PXLK-VI](#) [Q62184-1](#) [A64304-000](#) [QMT221](#)
[HK032WE1NF038B](#) [1330-0519-10](#) [1395199-1](#) [1395200-1](#) [1395202-1](#) [DMVF050WE-300S6](#) [D-SCE-1K-2.4-50-4-CS7834](#) [1538738-1](#)
[E90935-000](#) [EC1238-000](#) [EC1465-000](#) [EC1855-000](#) [EC1859-000](#) [EC1863-000](#) [EC5415-000](#) [EC7277-000](#) [EC7352-000](#) [EC7603-000](#)
[EC7707-000](#) [EC7735-000](#) [EC7768-000](#) [EC7828-000](#) [EC7854-000](#) [EC7952-000](#) [EC8128-000](#) [1768037-8](#) [1768041-7](#) [NC-127191-10-9](#)
[HS048WE2NF038B](#) [C03232-000](#) [HTCM-SCE-14-4H-9](#) [HTMS-3/16-9](#) [HT-SCE-1/4-2.0-4](#) [HT-SCE-3/16-2.0-4](#) [HTTMS-1/2-1.50-9](#) [HTTMS-](#)
[CM-1/2-4H-9](#) [HX-SCE-19.0-50-9](#) [HX-SCE-6.4-50-4](#) [C25254-000](#)