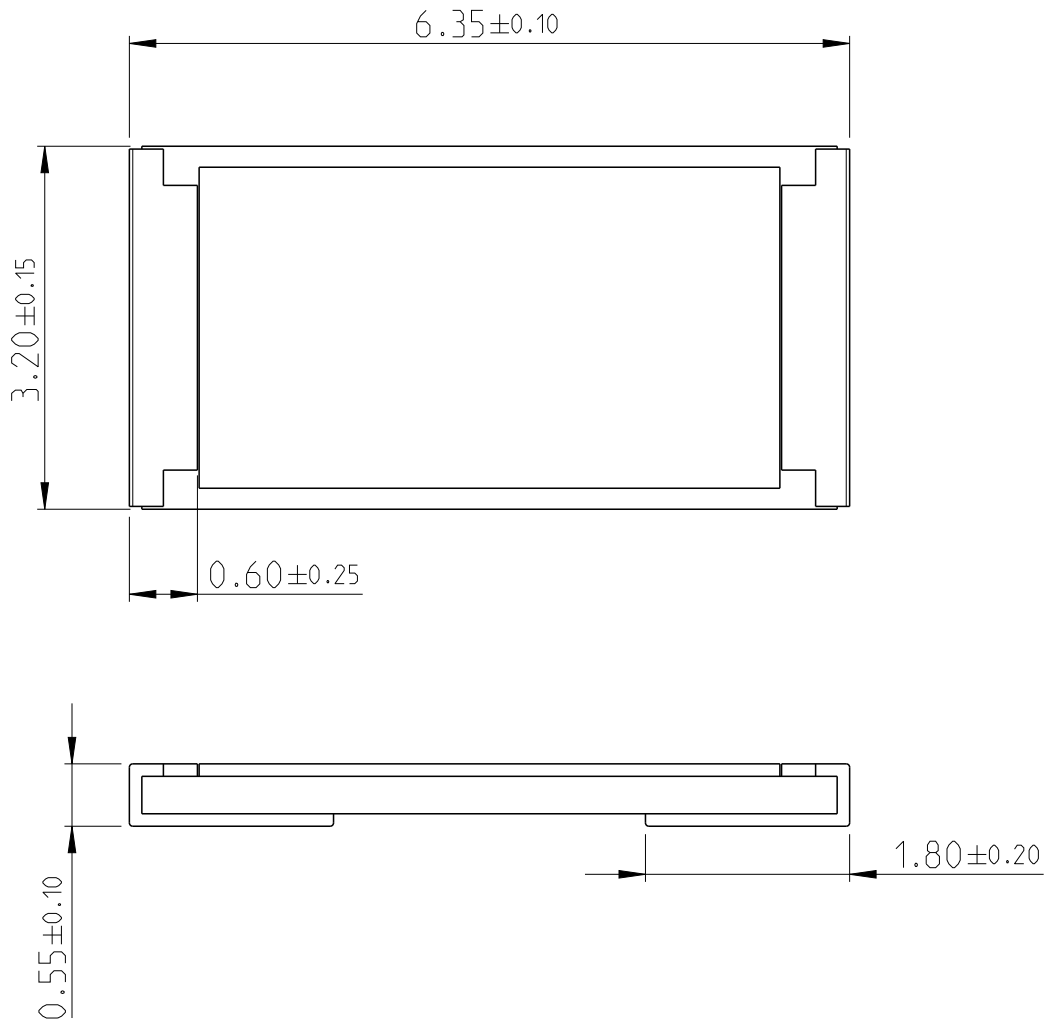
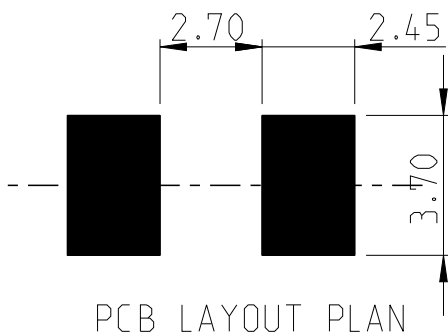


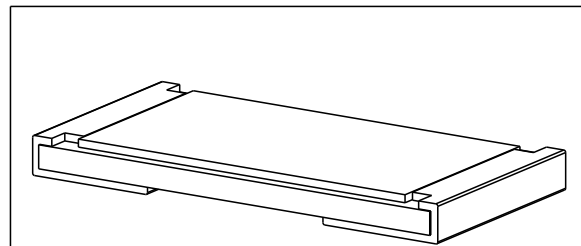
LOC	DIST	REVISIONS					
		P	LTR	DESCRIPTION	DATE	DWN	APVD
-	-	BB1	ECR-15-009470		23JUN2015	KR	TN




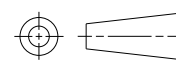
FOR FURTHER INFORMATION SEE PRODUCT SPECIFICATION FOR CRGH SERIES



RoHS Compliant



20
 RELEASED FOR PUBLICATION
 ALL RIGHTS RESERVED.
 THIS DRAWING IS UNPUBLISHED.
 BY -
 © COPYRIGHT 20

DIMENSIONS: mm	DWN RAGHAVENDRA K	27JUN2012	MATERIAL	-	FINISH	-
	CHK ALLAN P	27JUN2012	 TE Connectivity			
TOLERANCES UNLESS OTHERWISE SPECIFIED:	APVD TONY N	27JUN2012				
0 PLC ±	PRODUCT SPEC	-	NAME SMD POWER RESISTORS - TYPE CRGH2512 SERIES			
1 PLC ±0.5	-	-	SIZE	CAGE CODE	DRAWING NO	RESTRICTED TO
2 PLC ±0.13	APPLICATION SPEC	-	A 4	00779	C-1879502	-
3 PLC ±0.013	-	-	Customer Drawing			
4 PLC ±0.0001	WEIGHT	-	SCALE	40:1	SHEET 1 OF 1	REV BB1
ANGLES ±						

X-ON Electronics

Largest Supplier of Electrical and Electronic Components

Click to view similar products for [Thick Film Resistors - SMD category:](#)

Click to view products by [TE Connectivity manufacturer:](#)

Other Similar products are found below :

[CRCW04028R20JNEE](#) [CRCW06036K80FKEE](#) [CRG1206F1K58](#) [CRL0603-FW-R700ELF](#) [M55342K06B6E19RWL](#) [RC1005F1072CS](#)
[RC1005F471CS](#) [RC1005F4751CS](#) [RCP0603W100RGED](#) [RCWP72251K47FKWB](#) [RLR05C7501GPB14](#) [RLR07C5111FSBSL](#) [ERJ-](#)
[1GMF1R00C](#) [ERJ-1GMF1R20C](#) [ERJ-1GMF2R55C](#) [ERJ-1GMF8R66C](#) [25121WF1003T4E](#) [25.501.3653.0](#) [290-1.0M-RC](#) [292-1.0M-RC](#) [292-](#)
[2.2K-RC](#) [292-4.7K-RC](#) [25121WF4700T4E](#) [292-470K-RC](#) [302-1.0M-RC](#) [CPG1206F10KC](#) [CRCW02011R00FXED](#) [CRCW060315K0FKEE](#)
[CRCW060320K5FKEE](#) [CRG0201F10K](#) [RCG0402150RFKED](#) [RCG04023K92FKED](#) [RCP2512B100RGWB](#) [RCWP110010R0FKS3](#)
[RCWP11002K00FKS3](#) [RCWP12061K00FKS2](#) [3520510RJT](#) [352075KJT](#) [M55342K11B9E53RUL](#) [RMC16-102JT](#) [RMC1JPTE](#) [TR0603MR-](#)
[075K1L](#) [5-2176094-4](#) [35202K7JT](#) [WF06Q1000FTL](#) [ERJ-S03J1R0V](#) [ERJ-S14J4R7U](#) [CHP2512L4R30GNT](#) [CPCC10270R0JE32](#)
[RCWP11001K00FKS3](#)