

# Three phase, primary switched mode power supply, Line **PVSL 400/24-20**



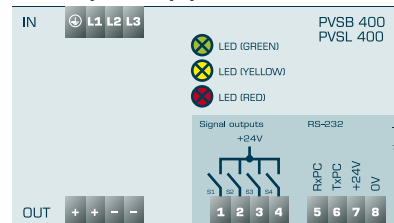
## Advantages

Power input monitoring
LCD
Current and voltage output monitoring
RS-232 interface
Stabilised and adjustable output voltage
Up to 200 % real power boost for 4 seconds
Top boost to trip miniature circuit breakers
3 LEDs and active signal outputs to indicate operating status
Parallel connection option
Service-friendly spring-loaded connector system
Can be supplied with active inrush current limiting
Panel installation on mounting rails

## Applications

Primary switch mode power supply with high power reserves for all automation requirements with a variety of parameter setting and display functions, including output current and output voltage monitoring. Intelligent additional functions for the input power to replace a variety of external devices such as diagnostic voltmeter, phase meter, hour meter.

## Sample application



## Standards

Primary switched mode power supply  
to UL 60950, UL 508

Safety:  
EN 61558-2-16, EN 60950-1

EMC:  
EN 61204-3

## Approvals



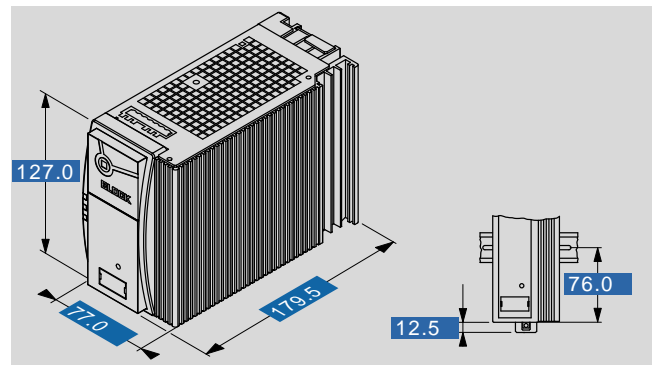
UL/CSA 60950 recognised, UL508 listed



## Three phase, primary switched mode power supply, Line PVSL 400/24-20

Type	PVSL 400/24-20
<b>Electrical data</b>	
<b>Input</b>	
Input rated voltage	3 x 400 - 500 Vac
Input voltage range	340 - 550 Vac (480 - 780 Vdc)
Input rated current (rated load)	1.1 A (3 x 340 Vac)
Rated frequency range	44 Hz - 66 Hz / 0 Hz
Starting current limiter	<30 A, NTC
Input fuse internal	3 x 2.5 A (slow-blow)
Recommended back-up fuse (circuit breaker)	6 A, 10 A, 16 A, characteristics B, C
Harmonic correction	passive
Mains buffering	13.2 / 36.8 ms (400 / 500 Vac)
Transient surge voltage protection	Varistor
<b>Output</b>	
Output rated voltage	24 Vdc ±1 %
Output voltage range	22.8 - 28.8 Vdc
Resistance to reverse feed max.	35 Vdc
Output rated current	20.00 A
Parallel connection	Yes
Power Boost	40 A / 4 s (30 A / 8 s)
Overload behaviour	Constant current or fuse
Efficiency	typ. 92.9%
Ripple factor	typ. 70 mVss
Top Boost	80 A / 50 ms
<b>Signaling</b>	
Power Good (DC OK)	LED green, LED red, LED yellow
Active signal outputs	4 x 24 Vdc, 2 configurable
Stand-by-input	No
Display, interface	Yes, RS 232
<b>Approvals</b>	
Approvals	cURus, cULus
<b>Environment</b>	
Ambient temperature	-25° C to +70° C
Storage temperature	-25° C to +85° C
Derating	-3%/K > +50°C
<b>Safety and protection</b>	
Protection index	IP 20
Safety class	I, with PE connection
<b>Accessory</b>	
Connector for signalling	PV-CON (optional)
Adapter cable for interface	PV-KOK2 (optional)
Side DIN Rail mounting	PV-TS35M (optional)
Direct screw fastening plate for lateral mounting	PV-WB2 (optional)
<b>Order numbers</b>	
<b>Order Number</b>	<b>PVSL 400/24-20</b>

Type	PVSL 400/24-20
<b>Mechanical data</b>	
<b>Terminal and mounting</b>	
Connections input, (spring clamp terminal, pluggable)	max. 2.5 mm <sup>2</sup>
Connections output, (spring clamp terminal, pluggable)	max. 10 mm <sup>2</sup>
Connections signalling, (spring clamp terminal, pluggable)	max. 0.5 mm <sup>2</sup>
Mounting position	vertical
Fixing method	DIN Rail system TH 35
<b>Measures and weights</b>	
Weight	1.76 kg



## X-ON Electronics

Largest Supplier of Electrical and Electronic Components

*Click to view similar products for [block manufacturer](#):*

Other Similar products are found below :

[PVSB 400/24-20](#) [RKD 120/2X24](#) [AIM5.0/2.5](#) [VB1.5/2/24](#) [STEU160/48](#) [TIM300](#) [AVB1.0/2/12](#) [FL4/18](#) [AVB2.3/2/12](#) [FL10/15](#) [FL6/24](#)  
[FL24/6](#) [STEU320/23](#) [STEU160/23](#) [LR3 48-3/80](#) [LR3 48-5/16](#) [PC-0148-100-0](#) [PM-0112-040-0](#) [PM-0748-400-0](#) [PT 7.5/2/9](#) [FL14/6](#) [FL52/12](#)  
[GNC24-2.5](#) [DCT24-1.5](#) [VB2.3/2/9](#) [VB 1.5/2/8](#) [SIM100](#) [RKD 100/2X15](#) [LR3 48-5/80](#) [LR3 48-5/90](#) [PM-0112-070-0](#) [PM-0148-020-0](#) [EB-](#)  
[1824-010-0](#) [USTE1000/2X115](#) [FL14/18](#) [FL6/6](#) [VB 0.35/1/15](#) [PC-0324-400-0](#) [STEU250/23](#) [AIM3.2/1.6](#) [AVB3.2/2/12](#) [FL10/12](#) [FL14/15](#)  
[FL8/6](#) [FL8/9](#) [LR3 48-3/90](#) [PC-0112-150-0](#) [EB-2724-100-0](#) [PVAF 24/3,2AH](#) [PT 4.5/2/12](#)