

Three phase, primary switched mode power supply, Basic

PVSB 400/24-20



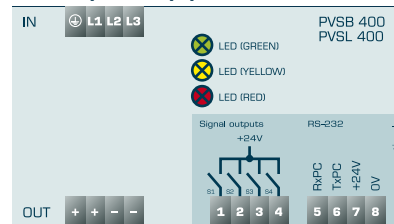
Advantages

LCD
Output current and voltage monitoring
RS-232 interface
Stabilised and digitally adjustable output voltage
Up to 200 % real power boost for 4 seconds
Top boost to trip miniature circuit breakers
3 LEDs and active signal outputs to indicate operating status
Parallel connection option
Service-friendly spring-loaded connector system
Can be supplied with active inrush current limiting option
Panel installation on mounting rails

Applications

Primary switch mode power supply with high power reserves for all automation requirements with a variety of parameter setting and display functions, including output current and output voltage monitoring.

Sample application



Standards

Primary switched mode power supply
to UL 60950, UL 508

Safety:
EN 61558-2-16, EN 60950-1

EMC:
EN 61204-3

Approvals



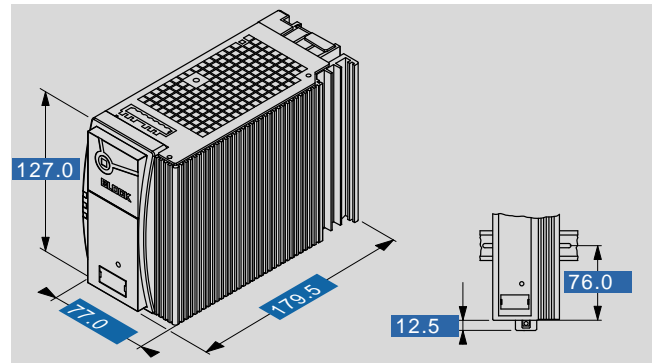
UL/CSA 60950 recognised, UL508 listed



Three phase, primary switched mode power supply, Basic PVSB 400/24-20

Type	PVSB 400/24-20
Electrical data	
Input	
Input rated voltage	3 x 400 - 500 Vac
Input voltage range	340 - 550 Vac (480 - 780 Vdc)
Input rated current (rated load)	1.1 A (3 x 340 Vac)
Rated frequency range	44 Hz - 66 Hz / 0 Hz
Starting current limiter	<30 A, NTC
Input fuse internal	3 x 2.5 A (slow-blow)
Recommended back-up fuse (circuit breaker)	6 A, 10 A, 16 A, characteristics B, C
Harmonic correction	passive
Transient surge voltage protection	Varistor
Mains buffering	13.2 / 36.8 ms (400 / 500 Vac)
Output	
Output rated voltage	24 Vdc ±1 %
Output voltage range	22.8 - 28.8 Vdc
Resistance to reverse feed max.	35 Vdc
Output rated current	20.00 A
Parallel connection	Yes
Power Boost	40 A / 4 s (30 A / 8 s)
Overload behaviour	Constant current or fuse
Efficiency	typ. 92.9 %
Ripple factor	typ. 70 mVss
Top Boost	80 A / 50 ms
Signaling	
Power Good (DC OK)	LED green, LED red, LED yellow
Potential free signal contact	No
Active signal outputs	4 x 24 Vdc, 2 configurable
Stand-by-input	No
Display, interface	Yes, RS 232
Approvals	
Approvals	cURus, cULus
Environment	
Ambient temperature	-25° C to +70° C
Storage temperature	-25° C to +85° C
Derating	-3 %/K > +50° C
Safety and protection	
Protection index	IP 20
Safety class	I, with PE connection
Accessory	
Connector for signalling	PV-CON (optional)
Adapter cable for interface	PV-KOK2 (optional)
Side DIN Rail mounting	PV-TS35M (optional)
Direct screw fastening plate for lateral mounting	PV-WB2 (optional)
Order numbers	
Order Number	PVSB 400/24-20

Type	PVSB 400/24-20
Mechanical data	
Terminal and mounting	
Connections input, (spring clamp terminal, pluggable)	max. 2.5 mm ²
Connections output, (spring clamp terminal, pluggable)	max. 10 mm ²
Connections signalling, (spring clamp terminal, pluggable)	max. 0.5 mm ²
Mounting position	vertical
Fixing method	DIN Rail system TH 35
Measures and weights	
Weight	1.76 kg



X-ON Electronics

Largest Supplier of Electrical and Electronic Components

Click to view similar products for [block manufacturer](#):

Other Similar products are found below :

[PVSB 400/24-20](#) [RKD 120/2X24](#) [AIM5.0/2.5](#) [VB1.5/2/24](#) [STEU160/48](#) [TIM300](#) [AVB1.0/2/12](#) [FL4/18](#) [AVB2.3/2/12](#) [FL10/15](#) [FL6/24](#)
[FL24/6](#) [STEU320/23](#) [STEU160/23](#) [LR3 48-3/80](#) [LR3 48-5/16](#) [PC-0148-100-0](#) [PM-0112-040-0](#) [PM-0748-400-0](#) [PT 7.5/2/9](#) [FL14/6](#) [FL52/12](#)
[GNC24-2.5](#) [DCT24-1.5](#) [VB2.3/2/9](#) [VB 1.5/2/8](#) [SIM100](#) [RKD 100/2X15](#) [LR3 48-5/80](#) [LR3 48-5/90](#) [PM-0112-070-0](#) [PM-0148-020-0](#) [EB-](#)
[1824-010-0](#) [USTE1000/2X115](#) [FL14/18](#) [FL6/6](#) [VB 0.35/1/15](#) [PC-0324-400-0](#) [STEU250/23](#) [AIM3.2/1.6](#) [AVB3.2/2/12](#) [FL10/12](#) [FL14/15](#)
[FL8/6](#) [FL8/9](#) [LR3 48-3/90](#) [PC-0112-150-0](#) [EB-2724-100-0](#) [PVAF 24/3,2AH](#) [PT 4.5/2/12](#)