



### Features

- > Resistance welded type crystal units.
- > A great number of standard frequencies.
- > Higher frequency pullability and lower equivalent series resistance.
- > Lower cost and highly mass production capability.
- > The best choice of TV, STB, LCDM and Cable Modem.
- > RoHS Compliant / Pb Free

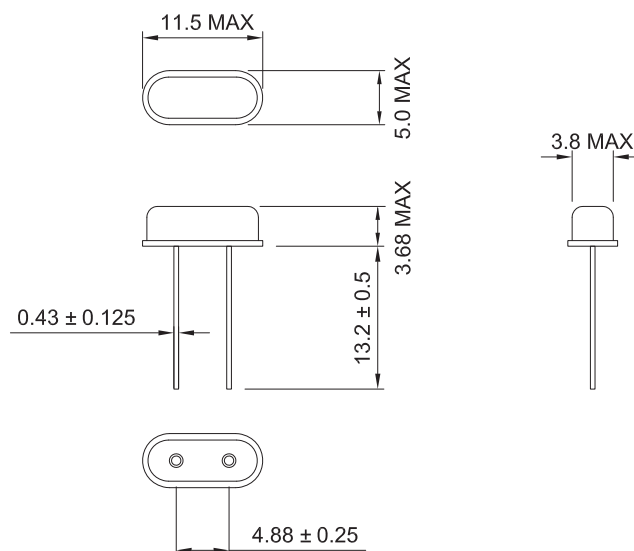
### Electrical Specifications

Item / Type	9B
Frequency Range	3.2 ~ 90 MHz
Frequency Tolerance (at 25 °C)	± 30 ppm, or specify
Frequency Stability Over Operating Temperature Range	± 30 ppm (- 20 ~ +70 °C), or specify
Operating Temperature Range	- 20 ~ +70 °C
Shunt Capacitance (C0)	7 pF Max.
Drive Level	1 ~ 500 μW (100 μW typical)
Load Capacitance	18 pF, or specify
Aging (at 25 °C)	± 3 ppm / year Max.
Storage Temperature Range	- 40 ~ + 85 °C

### Equivalent Series Resistance(ESR)

Fundamental		3rd Overtone	
3.2 ~ 3.686 MHz	200 Ω Max.	27 ~ 30 MHz	100 Ω Max.
3.686 ~ 5 MHz	150 Ω Max.	30 ~ 50 MHz	80 Ω Max.
5 ~ 10 MHz	80 Ω Max.	50 ~ 90 MHz	60 Ω Max.
10 ~ 14 MHz	40 Ω Max.		
14 ~ 30 MHz	30 Ω Max.		

### Dimensions



Units:mm

Remark : Specification subject to change without prior notice. Please confirm with our sales.

## X-ON Electronics

Largest Supplier of Electrical and Electronic Components

*Click to view similar products for [txc corporation](#) manufacturer:*

Other Similar products are found below :

[7B-16.000MAAJ-T](#) [AM-12.000MAGE-T](#) [9HT10-32.768KAZF-T](#) [TC-100.000MBD-T](#) [AA-12.000MAGE-T](#) [9HT11-32.768KDZF-T](#) [9C-16.384MBBK-T](#) [AM-16.000MALE-T](#) [7A-12.000MAHE-T](#) [7C-8.000MBB-T](#) [7C-40.000MBE-T](#) [7X-25.000MBE-T](#) [7C-100.000MBE-T](#) [7V25000027](#) [7V24070002](#) [7V40050001](#) [8Y24000011](#) [8Y27100001](#) [OZ19270001](#) [AA-25.000MALE-T](#) [BF-100.000MBE-T](#) [9B-12.000MBBK-B](#) [8Z-12.000MEHE-T](#) [8Z24000012](#) [8Z-25.000MEEQ-T](#) [AS-8.000MAHK-B](#) [7A-27.120MAAE-T](#) [7W-20.000MBB-T](#) [7W-40.000MBE-T](#) [7M12010001](#) [AV-33.333MAGV-T](#) [AA-28.63636MAGK-T](#) [9B-25.000MEEJ-B](#) [7B-26.000MEEQ-T](#) [7M26000017](#) [7M25000024](#) [7C25000002](#) [AV16000004](#) [7A-28.63636MAAJ-T](#) [7W-12.000MBA-T](#) [AT-8.000MAGK-T](#) [7B-28.63636MAAJ-T](#) [8W-25.000MBE-T](#) [8W-40.000MBE-T](#) [7C-16.000MBE-T](#) [7M4005LCSC-EDE4S](#) [7A-20.000MAAJ-T](#) [9C-27.120MAAJ-T](#) [7X-33.333MBE-T](#) [7B14300001](#)