

ABS-210-135-RC SPEAKER with 135mm leads and Molex connector

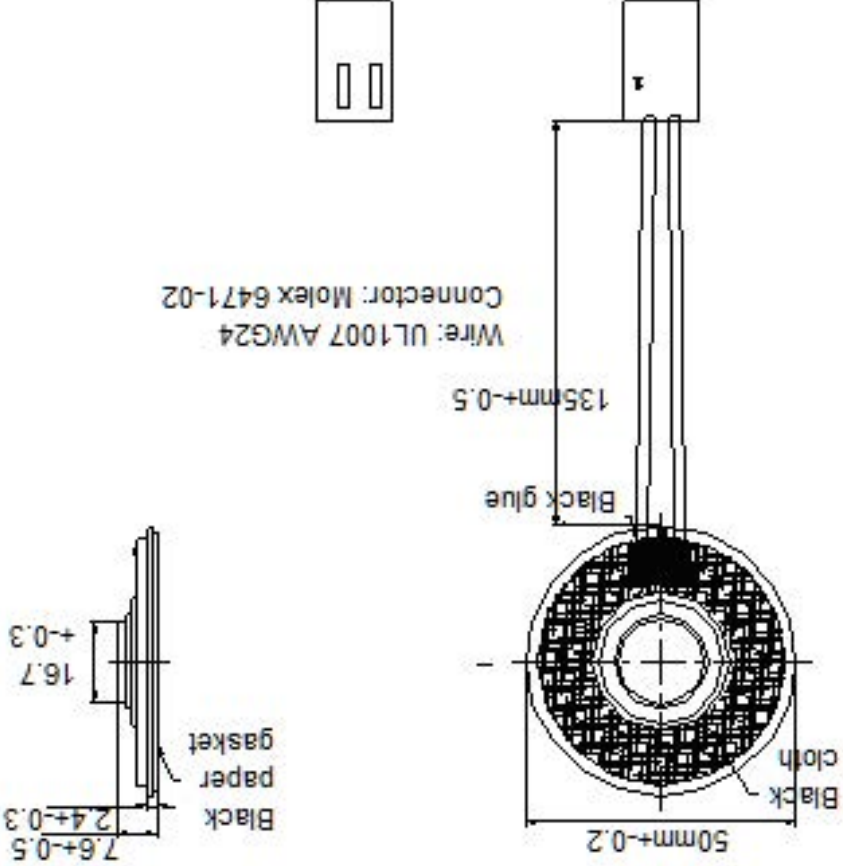
SPEAKERS

Specifications

Rated impedance / 2KHz/1V	8±15%Ω
Nominal input power	1.0W
Maximum input power	1.5W
Resonant frequency	350±20%Hz/1V
Frequency range	F0-20,000Hz
Sound pressure level at 0.1W/0.1m	92±3dB
Total harmonic distortion / 1KHz/0.1W	5%max
Flux density	0.6T
Magnet NdFeB	Ø12.5x1.5mm
Voice coil diameter	Ø13.28mm
Operating temperature	-10~+40°C
Storage temperature	-20~+60°C
Weight	13.2g±5%

- Features**
- ROHS compliant
 - Paper cone speaker
 - Low profile

- Material**
- Frame - SPCC
 - Diaphragm - PET
 - Plate SPCC
 - Magnet - NdFeB
 - PCB - FR4
 - Front gasket - Paper



Dimensions Unit: mm



Alan Butcher Components Ltd

Unit 1 Beechwood Clump Farm Industrial Estate Tin Pot Lane Blandford Dorset DT11 7TD
 Telephone 01258 456360 Facsimile 01258 459194 Email sales@abcomponents.co.uk

www.abcomponents.co.uk

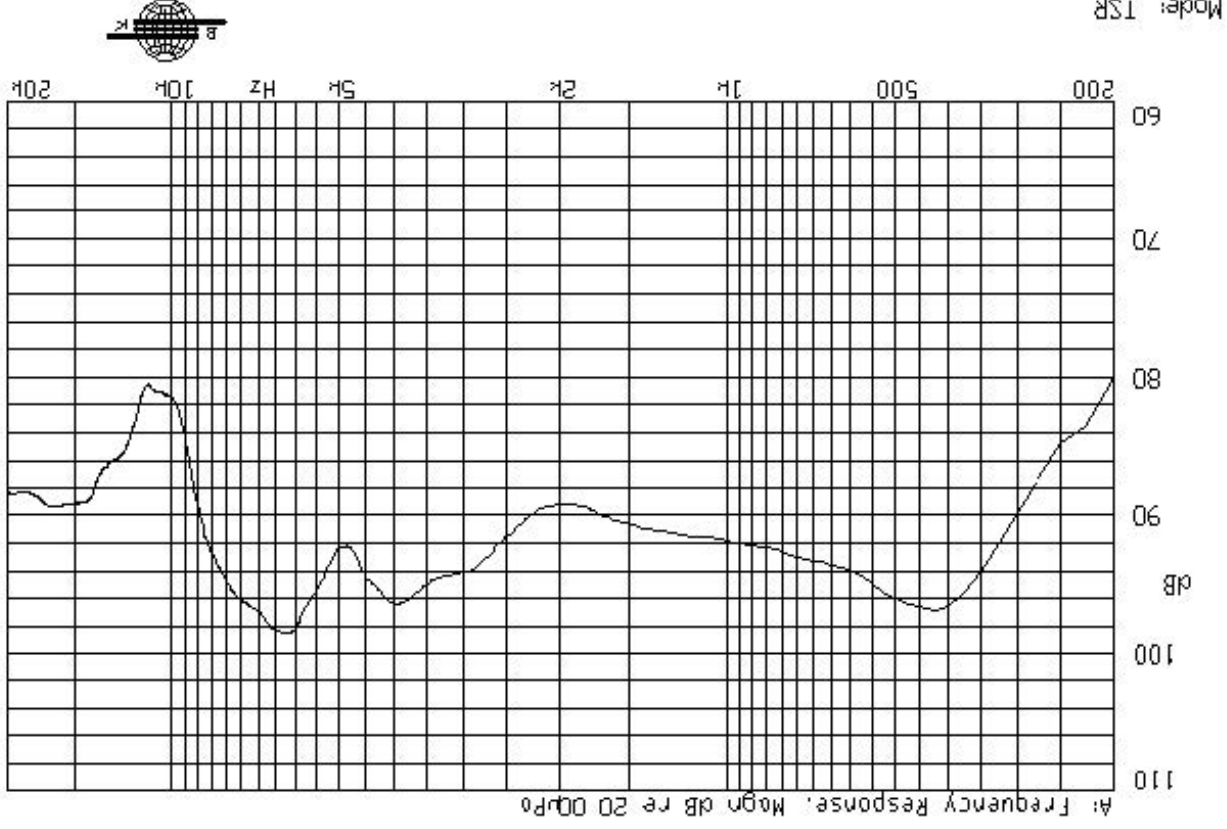


BS EN ISO 9001 Certification No 5239

ABS-210-135-RC SPEAKER - Frequency Curve

SPEAKERS

0.1W 0.1W 0.89V



Alan Butcher Components Ltd
Unit 1 Beechwood Clump Farm Industrial Estate Tin Pot Lane Blandford Dorset DT11 7TD
Telephone 01258 456360 Facsimile 01258 459194 Email sales@abcomponents.co.uk
www.abcomponents.co.uk



BS EN ISO 9001 Certification No 5239

X-ON Electronics

Largest Supplier of Electrical and Electronic Components

Click to view similar products for [pro signal manufacturer](#):

Other Similar products are found below :

[KVM-404](#) [JR8030/25M](#) [MP-012LN](#) [MJ-2325](#) [AV02019](#) [AV02009](#) [MC34967](#) [MC34971](#) [ABI-049-RC](#) [SVC675S-10M](#) [11.99.8870](#)
[PSG01592](#) [PSG01567](#) [PSG01546](#) [PSG01522](#) [PS11468](#) [PS11199](#) [PS11195](#) [PS11194](#) [PS11072](#) [PS11360](#) [PS11156](#) [PS11147](#) [PSG03905](#)
[PSG00559](#) [PSG00564](#) [PS000177](#) [PHONO PLG-PLG 10M](#) [AV02560](#) [AV02595](#) [PSG90956](#) [PSG90957](#) [PSG01495](#) [PSG01462](#) [PS11386](#)
[PS11193](#) [PS11028](#) [PS11179](#) [RP004](#) [U3-4HUB](#) [PSG90986](#) [27-9650](#) [PSG02699](#) [24-15623](#) [ABS-237-RC](#) [JR8013-10M](#) [JR8009/5M](#) [LS00532](#)
[AVVCL65](#) [USB-0039DBL](#)