

THIS DRAWING IS UNPUBLISHED.

RELEASED FOR PUBLICATION

ALL RIGHTS RESERVED.

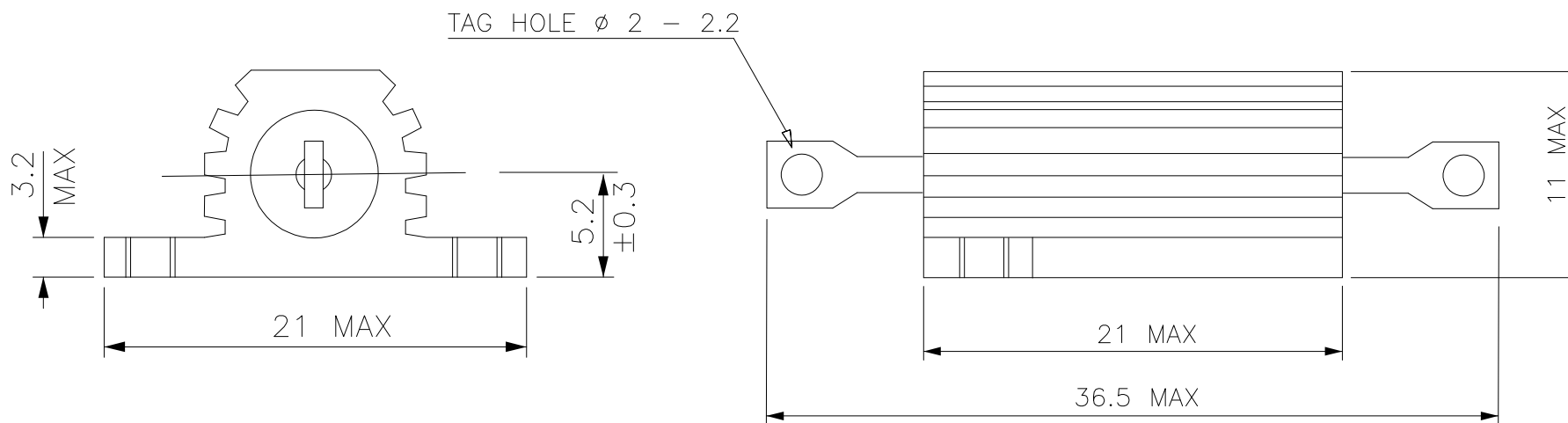
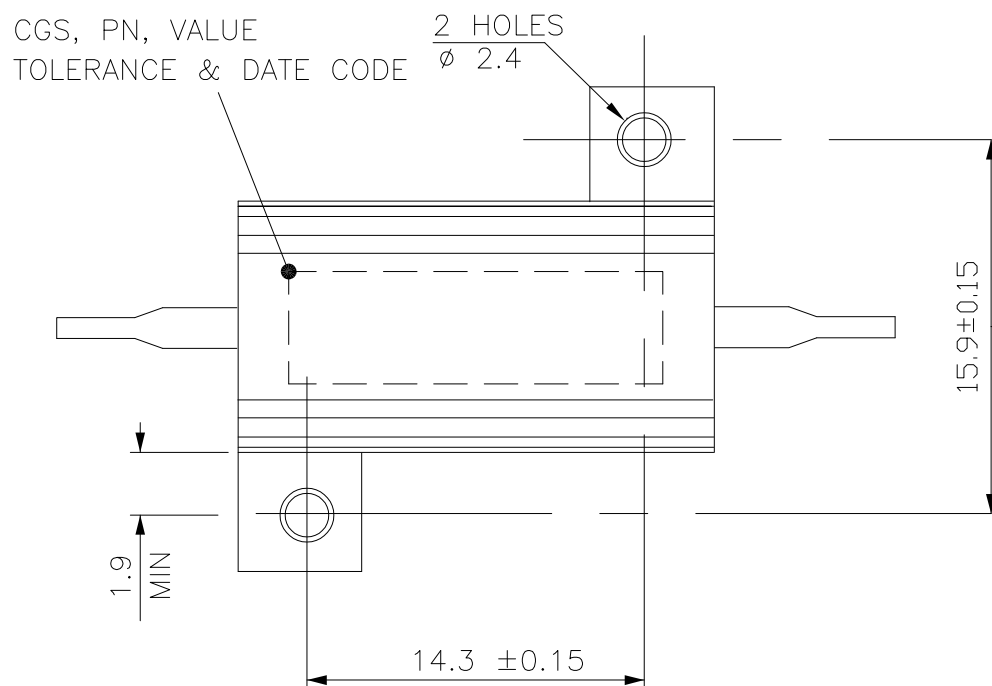
© COPYRIGHT - By -

LOC E	DIST B	REVISIONS		
P	LTR	DESCRIPTION	DATE	DWN
	P	REVISED PER ECO-11-005150	21MAR11	RK
				APVD HMR

TECHNICAL SPECIFICATION

DISSIPATION AT 25°C	16 WATTS MOUNTED ON STANDARD HEATSINK
BS OHMIC RANGE	R01 TO 10K
STABILITY	$\Delta R \leq 1\%$ PER 1000HRS
ISOLATION VOLTAGE	1400V DC/AC PK
MAX WORKING VOLTAGE	265V DC/AC RMS
TEMP COEFFICIENT	<100R $\pm 50$ ppm/°C >100R $\pm 30$ ppm/°C
CLIMATIC CATEGORY	55/200/56

FOR FURTHER INFORMATION SEE DATA SHEET FOR THS SERIES ALUMINIUM HOUSED RESISTORS



FOR A SPECIFIC PN A RESISTANCE VALUE AND TOLERANCE, PLEASE REFER TO DMF.

RoHS Compliant

THIS DRAWING IS A CONTROLLED DOCUMENT.		DWN R BLANCH 19SEPT06	<b>TE Connectivity</b>		
DIMENSIONS: mm		CHK J CATCHPOLE 19SEPT06			
TOLERANCES UNLESS OTHERWISE SPECIFIED:		APVD J CATCHPOLE 19SEPT06	PRODUCT SPEC		
0 PLC $\pm 0.5$		APPLICATION SPEC			
1 PLC $\pm 0.2$		WEIGHT			
2 PLC $\pm 0.1$		SIZE A3		CAGE CODE 00779	DRAWING NO C-1879074
3 PLC $\pm -$		RESTRICTED TO			
4 PLC $\pm -$		CUSTOMER DRAWING			
ANGLES $\pm 5^\circ$		SCALE NTS		SHEET 1 OF 1	REV P
MATERIAL		FINISH			

## X-ON Electronics

Largest Supplier of Electrical and Electronic Components

*Click to view similar products for [Wirewound Resistors - Chassis Mount](#) category:*

*Click to view products by [TE Connectivity](#) manufacturer:*

Other Similar products are found below :

[HD300HLR71J](#) [VK100NA-50](#) [40/70MJ2K00BE](#) [L75J1K0E](#) [VK100NA250](#) [L100J150E-MT1](#) [L50J500E-MT1](#) [SL130J100K-12](#)  
[HSC1004R0F](#) [F30J20R](#) [HSC1008R0F](#) [HSX25R22J](#) [L100J40K](#) [CL65J10R](#) [HSW600 47R J](#) [HSW600 1R J](#) [L12NJ20R](#) [75342-400](#) [HSW600](#)  
[22R J](#) [VRH320 1K K](#) [VRH320 100R K](#) [968.15 110M C E](#) [HSW600 4R7 J](#) [40/70MJ230R0HE](#) [1-2176247-6](#) [1-2176248-5](#) [C1500K12R](#)  
[FST02515E50R00KEE3](#) [AG5NFR68E](#) [AG12NFR68E](#) [AG12NFR47E](#) [AG12NFR56E](#) [AG12NFR33E](#) [CL25J39R](#) [AG12NFR22E](#) [850J220E](#)  
[AG12NFR10E](#) [CL225J30K](#) [810F7R7E](#) [LN100J75RE](#) [D50K100-B](#) [L225J6K0E](#) [21025K538-5R0KE](#) [LN80J30R](#) [C300KR75E](#) [D50K25R-B](#)  
[LN80J14R](#) [L50JR60E](#) [L100J400E](#) [LN50J7K5](#)