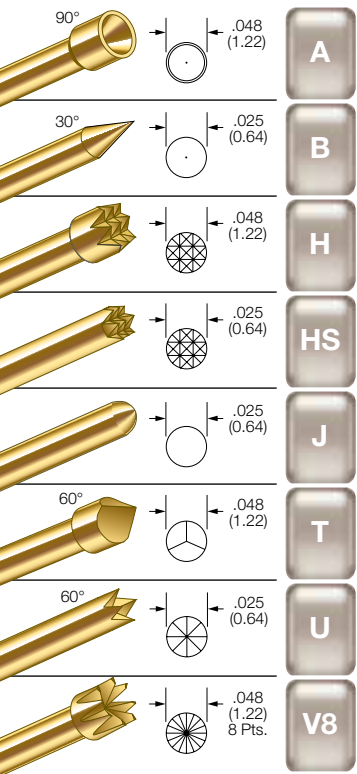
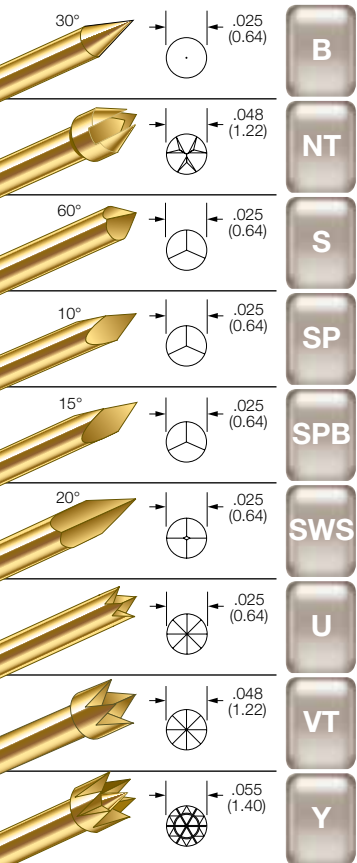


# ICT-075 and S-075 Size 075 - .075 Centers

## BeCu PLUNGER TIPS



## STEEL PLUNGER TIPS



## PROBE SPECIFICATIONS

**Minimum Centers:** .075 (1.91)  
**Current Rating:** 3 amps continuous  
**Spring Force:** 3.0, 5.0, 7.0 or 10.0 oz. @ .170 (4.32) travel  
**Typical Resistance:** < 25 mΩ  
**Maximum Travel:** .250 (6.35)  
**Working Travel:** .170 (4.32)

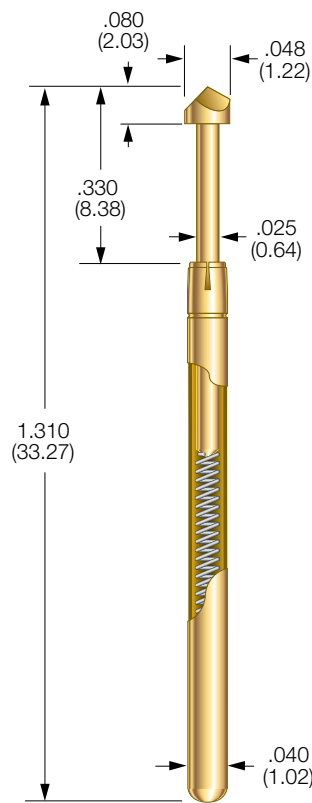
Rated Force oz. (g)	Preload oz. (g)
3.0* (85)	1.2 (34)
5.0 (142)	2.0 (57)
7.0 (198)	2.9 (82)
10.0 (283)	3.3 (94)

\*3.0 oz., S-075 only

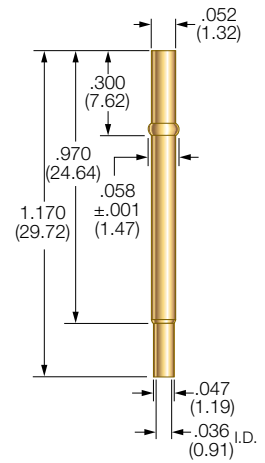
## MATERIALS

**Barrel:** G2  
**Spring:** Music wire, nickel plated  
**Plunger:** Beryllium copper or steel, gold plated over nickel  
**Receptacle:** Nickel/silver, gold plated; gold plated post

## ICT-075 PROBE



## R-075 Receptacle



**Drill Size:** 1.45mm  
**Mounting Hole Size:** .055/.057 (1.40/1.45)  
**Recommended Wire:** 24-28 gage

## RECEPTACLE OPTIONS

Part Number	Style	Receptacle Length	Probe/Receptacle Combined Length	Comments
R-075-CR	Crimp	1.170 (29.72)	1.500 (38.10)	—
R-075-SC	Solder Cup	1.170 (29.72)	1.500 (38.10)	—
R-075-RP	Round Post	1.545 (39.24)	1.875 (47.63)	.375 post length - .025 dia.
R-075-WW-429	Wire Wrap	1.599 (40.61)	1.929 (49.00)	.429 post length - .025 sq.
R-075-WW-694	Wire Wrap	1.864 (47.35)	2.194 (55.73)	.694 post length - .025 sq.
R-075-WW-1.044	Wire Wrap	2.214 (56.24)	2.544 (64.62)	1.044 post length - .025 sq.

## HOW TO ORDER: SPRING CONTACT PROBE

<b>ICT</b>	<b>075</b>	<b>T</b>	<b>5.0</b>	<b>G</b>	<b>S</b>
SERIES	SIZE	TIP STYLE	SPRING FORCE	PLATING OPTIONS	STEEL PLUNGER OPTION

**SERIES:**  
**ICT:** HIGH PERFORMANCE  
**S:** STANDARD PERFORMANCE, (NO BIFURCATED BEAM)  
**CRIMPING PLIERS:** CPR075  
**INSERTION TOOL:** RTR075

**SPRING FORCE:**  
 3.0 oz. @ .170 (4.32) TRAVEL\*  
 5.0 oz. @ .170 (4.32) TRAVEL  
 7.0 oz. @ .170 (4.32) TRAVEL  
 10.0 oz. @ .170 (4.32) TRAVEL

\*S-075 SERIES ONLY

## RECEPTACLE

<b>R</b>	<b>075</b>	<b>WW</b>	<b>429</b>
SERIES	SIZE	TERMINATION	POST LENGTH

**TERMINATIONS:**  
**CR:** CRIMP  
**SC:** SOLDER CUP  
**RP:** ROUND POST  
**WW:** WIRE WRAP

**POST LENGTH:**  
**WW:** 429, 694 OR 1.044

VIEW UPDATES OF THIS INFORMATION AT [WWW.IDINET.COM](http://WWW.IDINET.COM)

Specifications subject to change without notice. Dimensions in inches (millimeters)

## **X-ON Electronics**

Largest Supplier of Electrical and Electronic Components

*Click to view similar products for [interconnect devices manufacturer](#):*

Other Similar products are found below :

[Interconnect Devices](#)