
Polyester CombiBox

Applications





- Polyester GRP enclosure systems for industrial application
- Two level fitting possibility
- Combination of several enclosures by connecting flange

Including in delivery:

Enclosure consisting of lid and base with screws, individual inner height adjustment of mounting frame and mounting plate by 4 fixing elements

Technical data

Material:

glassfibre reinforced duroplastic Polyester

Colour:

RAL 7000, squirrel grey

special colour on request

Ingress protection:

IP 66, EN 60529

Impact resistance:

7 Joule, EN 60079-0

Flammability:

self-extinguishing, UL 94/V0

Surface resistance:

$>10^{12}$ Ohm, IEC 60093

Disruptive strength:

18 KV/mm, IEC 60243-1

Toxicity:

halogen free

Temperature range:

PU (polyurethane) seal: -40°C to +90°C

CR (chloroprene) seal: -40°C to +100°C

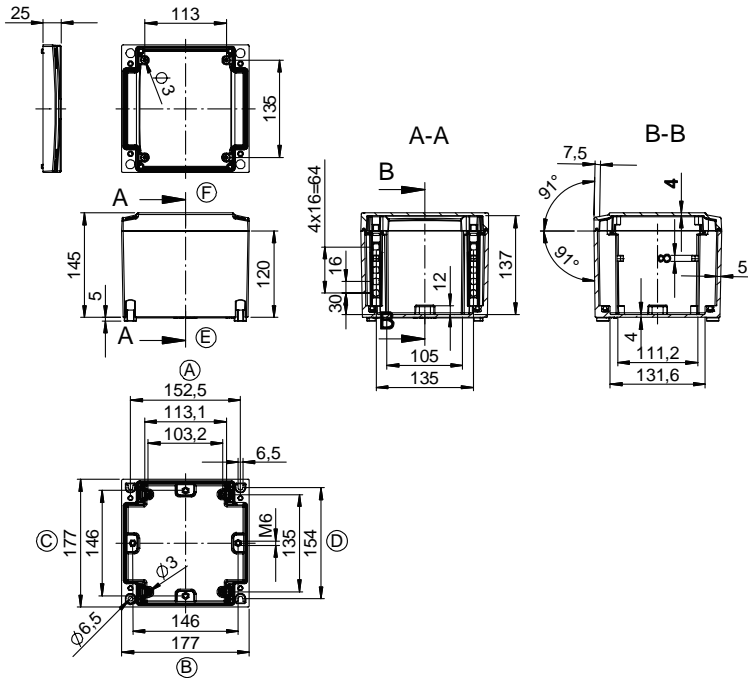
VMQ (silicone) seal (optional): -60°C to +130°C

Type: **02.01 22 15**

External dimensions: **177 x 177 x 145 mm**

Weight: **1710 g**

DIN rail length in mm	max. fitting length in mm	Mounting plate (thickness in mm)	External mounting brackets	Lid safety strip	EMC version	Allen lid screws	Silicone lid seal	Sealable lid screws
TS 35	115	1,5		•	•		•	



Maximum number of cable glands to *DIN 50262**

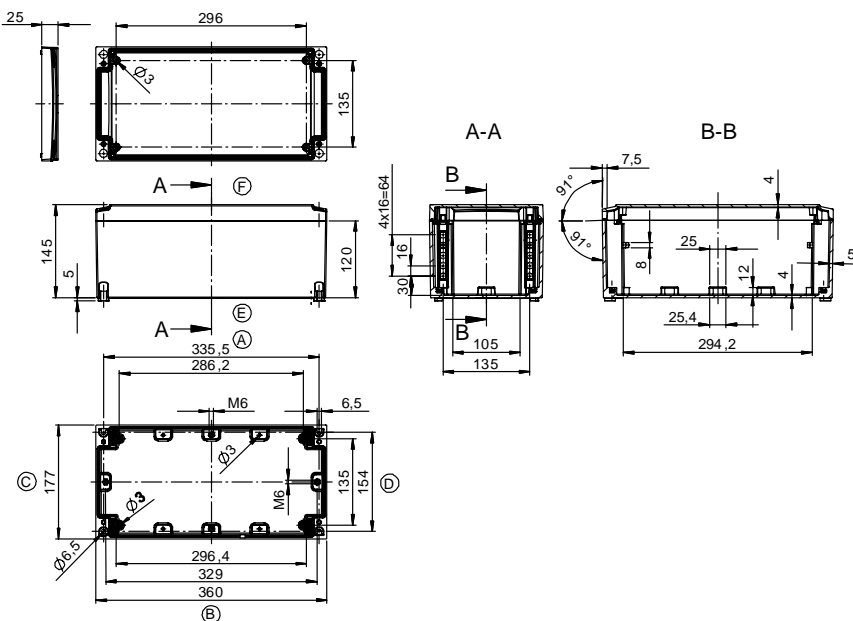
M	Corner dim.	Side		PG	Corner dim.	Side	
		A/B	C/D			A/B	C/D
12	17,25	36	36	7	17,25	36	36
16	25,30	16	16	9	21,85	20	20
20	27,60	12	12	11	25,30	16	16
25	37,95	6	6	13,5	27,60	12	12
32	48,30	4	4	16	31,05	10	10
40	60,95	2	2	21	37,95	6	6
50	69,00	1	1	29	48,30	4	4
63	74,75			36	60,95	2	2
				42	69,00	1	1
				48	74,75	1	1

Type: **02.01 24 15**

External dimensions: **360 x 177 x 145 mm**

Weight: **2730 g**

DIN rail length in mm	max. fitting length in mm	Mounting plate (thickness in mm)	External mounting brackets	Lid safety strip	EMC version	Allen lid screws	Silicone lid seal	Sealable lid screws
TS 35	285	1,5		•	•		•	



Maximum number of cable glands to *DIN 50262**

M	Corner dim.	Side		PG	Corner dim.	Side	
		A/B	C/D			A/B	C/D
12	17,25	109	36	7	17,25	109	36
16	25,30	50	16	9	21,85	65	20
20	27,60	40	12	11	25,30	48	16
25	37,95	21	6	13,5	27,60	40	12
32	48,30	12	4	16	31,05	32	10
40	60,95	9	2	21	37,95	21	6
50	69,00	5	1	29	48,30	12	4
63	74,75	4	1	36	60,95	7	2
				42	69,00	5	1
				48	74,75	4	1

Type: **02.01 44 15**

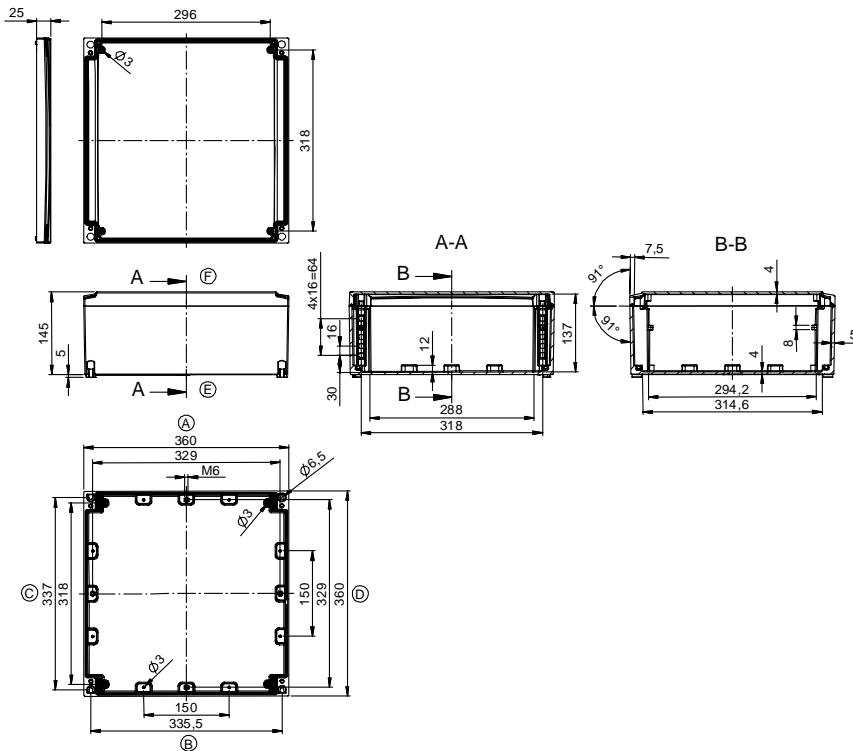
External dimensions: **177 x 360 x 145 mm**

Weight: **4050 g**

DIN rail length in mm	max. fitting length in mm	Mounting plate (thickness in mm)	External mounting brackets	Lid safety strip	EMC version	Allen lid screws	Silicone lid seal	Sealable lid screws
TS35	285	1,5		•	•		•	

Maximum number of cable glands to *DIN 50262**

M	Corner dim.	Side		PG	Corner dim.	Side	
		A/B	C/D			A/B	C/D
12	17,25	109	109	7	17,25	109	109
16	25,30	50	50	9	21,85	65	65
20	27,60	40	40	11	25,30	48	48
25	37,95	21	21	13,5	27,60	40	40
32	48,30	12	12	16	31,05	32	32
40	60,95	9	9	21	37,95	21	21
50	69,00	5	5	29	48,30	12	12
63	74,75	4	4	36	60,95	7	7
				42	69,00	5	5
				48	74,75	4	4



X-ON Electronics

Largest Supplier of Electrical and Electronic Components

Click to view similar products for [bopla](#) manufacturer:

Other Similar products are found below :

[62240000](#) [82400124](#) [82600124](#) [82703124](#) [94242200.MT1](#) [96033125](#) [96036335](#) [ATPH1850-100 MT6](#) [ATPH1850-250 MT1](#) [ATPH1865-250 MT6](#) [94122150.MT2](#) [34501000](#) [34700000](#) [34751000](#) [34910002](#) [ATPH1850-200 MT6](#) [ATPH1865-200 MT6](#) [46400000](#) [46300000](#) [46600000](#) [1124000](#) [1123000](#) [62221000](#) [82200124](#) [82600135](#) [82700124](#) [02244000](#) [B 080805 ABS GRAPHITE GREY](#) [B 140806 ABS GRAPHITE GREY](#) [ATPH 1850-150 EG1240P](#) [B 140806 ABS LIGHT GREY](#) [B 261706 PC-V0-G GRAPHITE GREY](#) [82200135](#) [T890](#) [02208000](#) [02250000](#) [94122150](#) [41250109](#) [01123000](#) [01104000](#) [92800200](#) [BOP 500 BE4MC-9005](#) [BOP 500 BE4MC-9016](#) [BOP 7.0-9016](#) [BOP 700 BE4MN-9016](#) [BOP 900-9016](#) [BOP 900 BE4MN-9005](#) [BOP 900 BE4MN-9016](#) [ABP 1600-200](#)