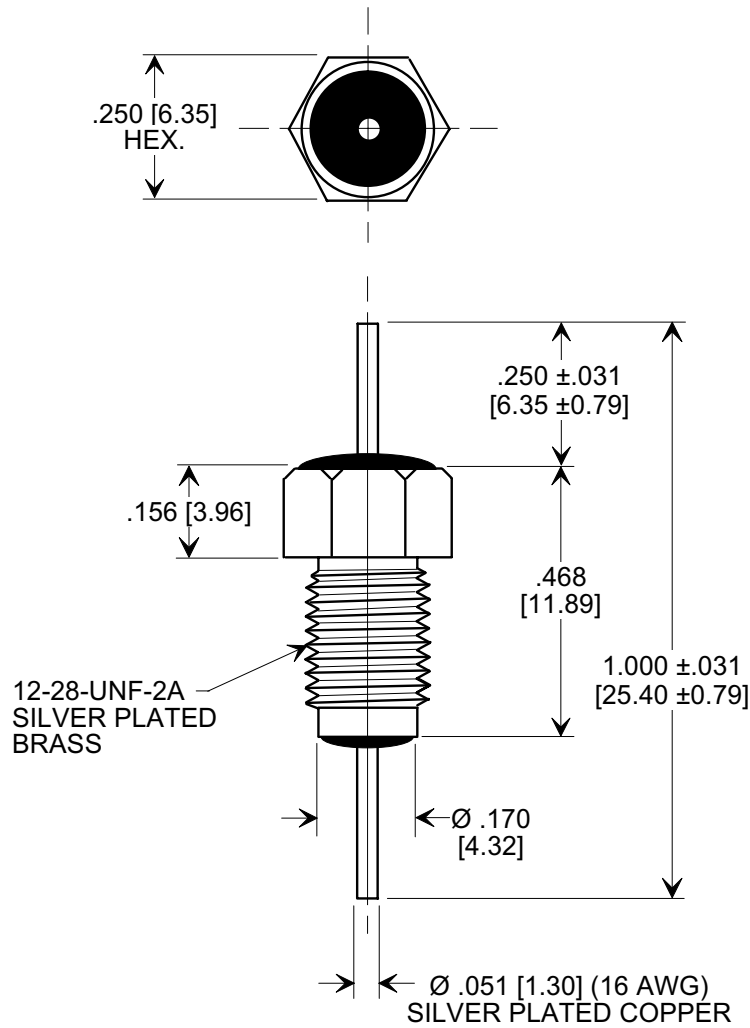
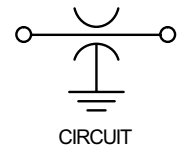
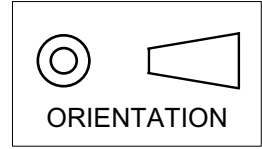


**MARKETING SALES DRAWING**  
**DIMENSIONS IN INCHES - DO NOT SCALE THIS DRAWING**  
**DIMENSIONS IN METRIC - [ ]**

This drawing is the property of Tusonix, Inc., and may not be used, reproduced, published or disclosed to others without expressed authorization by Tusonix Inc.

**Electrical Testing  
per Tusonix standard  
test plans and Mil-Std-202  
Test Methods.**



**ORDERING INFORMATION**

STYLE NO.:	2499-003
VALUE:	100 pF
VALUE TOL.:	± 10%
TEMP. COEF.:	U2M
RATING:	500 WVDC @ 85°C
OPERATING RANGE:	-55° TO +125°C
CURRENT (A):	20
I.R. MIN. @ 100 (VDC):	10 G Ω
DWV (VDC):	1500

**NOTES:**

- SUPPLIED WITH SILVER PLATED HEX NUT AND INTERNAL TOOTH LOCK WASHER.
- TUSONIX STANDARD PART NUMBER: 2499-003-U2M0-101K. TUSONIX RoHS COMPLIANT PART NUMBER: 2499-003-U2M0-101K LF. CUSTOMER MUST SPECIFY STANDARD OR RoHS PART NUMBER WHEN ORDERING.
- PART MARKING: TRADEMARK, CAPACITANCE CODE & TOLERANCE CODE STAMPED ON HEX FLATS. STANDARD PART: BLACK INK. RoHS PART: GREEN INK.

X-2015 Rev-0

<b>REVISION RECORD</b> Original Release C.O. <b>20000508-5-01</b> ADDED & REVISED NOTES: ADDED METRIC, CURRENT, IR & DWV.S.M. 03-23-06 <b>20060323-1-01</b>	<b>0</b>	<b>--TOLERANCES--</b> Unless Otherwise Specified DECIMAL ± .015 [0.38] ANGLES ±	Title <b>BUSHING TYPE FEED-THRU CAPACITOR</b>	
	<b>TUSONIX</b> TUCSON, ARIZONA		Drawn L.E. 05-09-00      Scale 3X	
		Approved T.C. 05-09-00		<b>A</b> 2499-003-U2M0-101 K

## X-ON Electronics

Largest Supplier of Electrical and Electronic Components

*Click to view similar products for [cts manufacturer](#):*

Other Similar products are found below :

[744C083333JP](#) [296UD504B1N](#) [262XR102B](#) [744C083102JP](#) [CB3LV-3C-32M7680](#) [744C083222JP](#) [743C083103JP](#) [770101223](#) [4400-506](#)  
[026TB32R253B1A1](#) [766163511GP](#) [ATS040SM-1](#) [MXO45HST-3C-16M0000](#) [ATS061C](#) [ATS25ASM-1](#) [743C083104JP](#) [744C083472JP](#)  
[77083103P](#) [218-10LPSTRF](#) [O7050147456MFDA4SC](#) [402WF20012IMR](#) [KFF6516A](#) [194-8MST](#) [742C083330JPTR](#) [750-101-R120](#)  
[TFE322T32K7680R](#) [TX0506-1B](#) [766143221GP](#) [77061333P](#) [219-10LPSTR](#) [7609-501LF](#) [CTS-1621](#) [284TBCF502A26A1](#) [766163560GP](#)  
[CB3-3I-20M0000](#) [4300-060LF](#) [4400-032](#) [ATS12ASM-1](#) [201XR104B](#) [770103101P](#) [CA25C5003HLT](#) [209-2MSF](#) [6740-2015](#) [CB3-3C-](#)  
[1M5440](#) [206-6RAST](#) [T8031-5V](#) [ATS16ASM-1E](#) [767163104D](#) [PB1-36ND](#) [ATS049BSM-1E](#)