



Catalog Numbers
R-3W / R-3W-SR

Thru-Door Voltage Indicator

Flashing and Non-Flashing

Product Data Sheet

VoltageVision® thru-door power warning alerts provide electrical safety information while the panel doors are safely closed. This "one-size-fits-all" solution detects 3-phase AC or DC voltage from 40-750VAC/30-1000VDC. The encapsulated construction and redundant circuit design means rugged reliability. VoltageVision® products are available with flashing LEDs (R-3W) and non-flashing LEDs (R-3W-SR).

Safer Lock-Out Tag-Out (LOTO)

Keeping personnel away from live voltage is foundational to electrical safety. Electrical safety demands a precise answer to the question 'Is voltage present?'. Thru-door voltage indicators provide visibility of voltage from outside the enclosure without exposing personnel to voltage.

More Productivity in Mechanical LOTO

Workers performing mechanical LOTO must isolate electrical energy. An externally-mounted voltage detector provides a means to check voltage inside an electrical panel. Without a voltage indicator, a mechanic performing mechanical LOTO would be required to work in tandem with an electrician using a voltmeter to physically verify voltage inside an electrical panel. In this case, the electrician is exposed to voltage. With thru-door voltage detectors, the mechanic can verify zero electrical energy without any exposure to voltage.

Reduced Voltage Exposure and Arc Flash Risk

Voltage is the common denominator in an electrical accident or an arc flash; no voltage means no accident, no arc flash. While performing electrical LOTO with a thru-door voltage detector installed, the electrician can pre-check the internal voltage state without opening the enclosure. Next, the electrician should replicate a zero voltage reading with his voltmeter as per NFPA 70e 120.1(5). This low-cost, redundant voltage-verification task reduces arc flash risk and increases electrical safety for workers.

Disclaimer: Voltage indicators are a supplement, not a substitute, for establishing electrically safe work conditions when working on potentially live electrical conductors as per NFPA 70E 120.1(1) to (6). Employers must also provide written LOTO procedures and the corresponding training that properly incorporates voltage detectors into their safety programs [NFPA 70E 120.2(C)(2) and 110.6(D)(4)(e)].

Power Warning Alert

with Solid-on LEDs or Flashing LEDs

FEATURES:

- Redundant Circuitry / Long Life LED's
- 40-750VAC / 30-1000VDC / 35-600VAC 1Ø
- Potted Construction with 6' Leads
- Phase Insensitive
- 30mm Pushbutton or Pilot Hole
- High Surge Immunity
- UL Listed, Type 4X, 12, 13

APPLICATIONS:

- Circuit Breaker Disconnects - No Visible Blades
- High Energy Panels (NFPA 70E Category 3 or 4)
- Frequently Accessed Panels
- Mechanical LOTO: Indicating Zero Energy
- Panels with Multiple Power Sources



Three Phase 40-750VAC/30-1000VDC UL-Listed Voltage Indicator for Type 4X/12/13 for 30mm Mounting

R-3W	Flashing
R-3W-KB ¹	Flush Mount Assembly with Bezel and R-3W (UL)
R-3W-L	Adhesive-Backed Warning Label (slips over installed R-3W)
R-3W-SR ²	Non-Flashing
R-3W-SR-KB ¹	Flush Mount Assembly with Bezel and R-3W-SR (UL)
R-3W-SR-L	Adhesive-Backed Warning Label (slips over installed R-3W-SR)
R-3W2 ³	Hazardous Location Flashing Voltage Indicator (Suitable for use in Class 1, Division 2 (Zone 2), Groups A, B, C, D hazardous Location, or Non-Hazardous Locations Only)
R-3W2-KB ¹	Flush Mount Assembly with Bezel and R-3W2 (UL)
R-3W-L	Adhesive-Backed Warning Label (slips over installed R-3W2)

Accessories

Door Mount #10 NTW Conduit Wire Protection and Isolation Kit

R-3W-DR-C3	3Ft #10 NTW Conduit
R-3W-DR-C4	4Ft #10 NTW Conduit
R-3W-DR-C6	6Ft #10 NTW Conduit
R-3W-DIN	Internal Panel Mount DIN Rail Mounting Bracket
R-3W-NPT125	30mm to 1 1/4" R-3W Conduit/Adapter

- (1) Must be purchased as an assembly for UL Listing
- (2) For the R-3W-SR, the LED appearance for differing voltages as follows: 32-159V(FLASH); 160-329V(SHIMMER); 330V+(SOLID)).
- (3) See R-3W2 datasheet for specifications and UL information

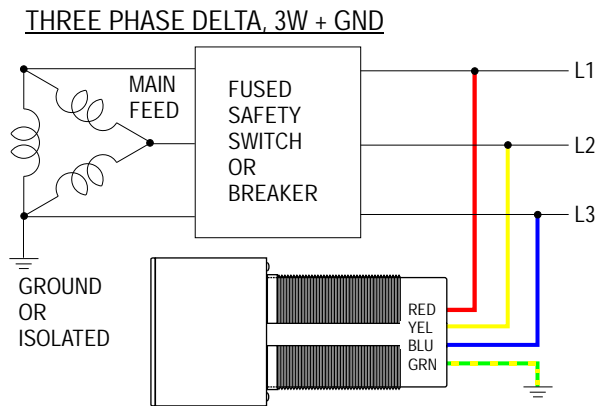


© 2010 Grace Engineered Products, Inc. Data:R-3W/R-3W-SR:05/2010
VoltageVision® is a registered Trademark of Grace Engineered Products, Inc.

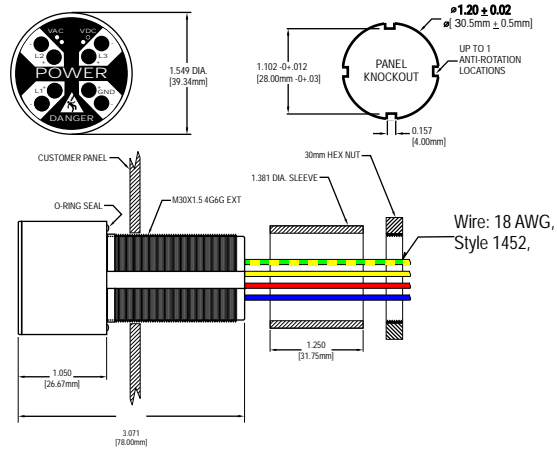
5001 Tremont Avenue
Davenport, IA 52807
(800) 280-9517 Fax: (563) 386-9639

www.Graceport.com

TYPICAL CONFIGURATION*:



Power Warning Alert



- OPERATIONAL RANGE:
- DC OR STORED ENERGY:
- MAXIMUM VOLTAGE:
- POWER CONSUMPTION:
- TEMPERATURES:
- FAILURE CURRENT:
- FUSING:

INDICATOR FLASH RATES for

3-PHASE LINE-TO-LINE	<
FLASHES/SEC (TYPICAL)	
DC OR STORED ENERGY (VDC)	<
FLASHES/SEC (TYPICAL)	

*For additional mounting configurations, installation instructions, and videos please go to <http://info.graceport.com/PWA>

Accessories:



Dimensions of the Bezel - Diameter: 2.25"
 Outside cabinet depth: .20"
 Inside cabinet depth: 3.50"

New! Bezel-mount Installation for Power Warning Alerts!
 Create a near-flush look by purchasing your Power Warning Alert with our new bezel. For a short video on this accessory, please visit <http://info.graceport.com/PWA>

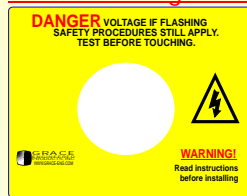
Part Number	Description
R-3W-KB	Flashing Power Warning Alert with Bezel
R-3W-SR-KB	Non-Flashing Power Warning Alert with Bezel
R-3W2-KB	Class 1 Div 2 Power Warning Alert with Bezel

*Corresponding label available for bezel-mount configurations. Please see <http://info.graceport.com/PWA> for more information.



A 30mm adapter sleeve for mounting.

Power Warning Alert Label



Label dimensions are 3"W x 2.3"H.

This adhesive-back label fits over an installed power warning alert. Warning language differs for flashing and non-flashing units.

Part Number	Description
R-3W-L	Label for Flashing and Class 1 Div 2 Power Warning Alert
R-3W-SR-L	Label for Non-Flashing Power Warning Alert



Part #:

Use this door mount accessory. Includes a 30mm adapter sleeve. (Allow 4.5")

X-ON Electronics

Largest Supplier of Electrical and Electronic Components

Click to view similar products for [grace engineered products](#) manufacturer:

Other Similar products are found below :

[R-1A0033W-NPLPF](#) [R-3D2](#) [R-T3WS-LCH](#) [P-P11R2-K3RF0](#) [P-R2-F2R0](#) [P-R2-K3RF0](#) [P-R2-B3RX](#) [R-3W-KB-L](#) [R-3W-L](#)