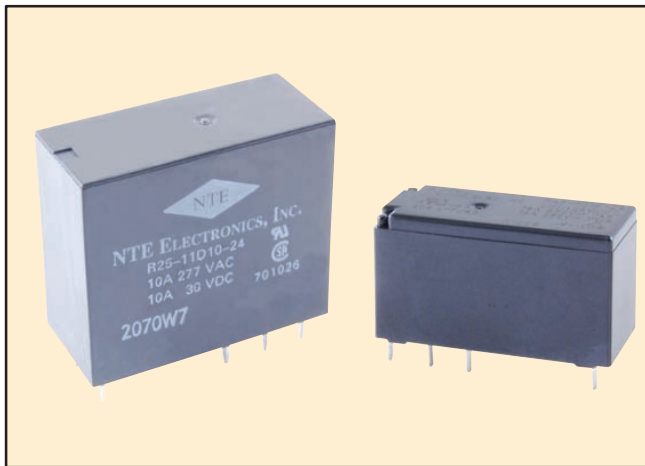


Features

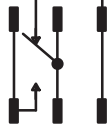
- Epoxy Sealed for Wave Soldering & Cleaning
- Upright Package Type
- Suitable for 5mm Grid Pattern
- Immersion Proof



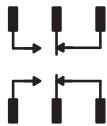
SPST-NO, 1 Form "A"



SPDT, 1 Form "C"



DPDT, 2 Form "C"



AC OPERATED						
NTE Type No.	Nom. Voltage	Contact Arr.	Coil Res. Ohms (Typ)	Nom. Power	Max. Contact Cur. @ 28VDC or 120VAC	Diag No.
R25-5A16-24	24VAC	SPDT	280	-	16A	D39a
R25-5A16-120	120VAC	SPDT	5600	-	16A	D39a
R25-11A10-24	24VAC	DPDT	280	-	10A	D39a
R25-11A10-120	120VAC	DPDT	5600	-	10A	D39a
DC OPERATED						
R25-1D16-5/6	5/6VDC	SPST-NO	68	500mW	16A	D39b
R25-1D16-12	12VDC	SPST-NO	270	500mW	16A	D39b
R25-1D16-24	24VDC	SPST-NO	1100	500mW	16A	D39b
R25-1D16-48	48VDC	SPST-NO	4200	500mW	16A	D39b
R25-5D16-5/6	5/6VDC	SPDT	68	500mW	16A	D39a
R25-5D16-12	12VDC	SPDT	270	500mW	16A	D39a
R25-5D16-24	24VDC	SPDT	1100	500mW	16A	D39a
R25-5D16-48	48VDC	SPDT	4200	500mW	16A	D39a
R25-11D10-5/6	5/6VDC	DPDT	68	500mW	10A	D39a
R25-11D10-12	12VDC	DPDT	270	500mW	10A	D39a
R25-11D10-24	24VDC	DPDT	1440	400mW	8A	D83b
R25-11D10-48	48VDC	DPDT	4200	500mW	10A	D39a

ACCESSORIES

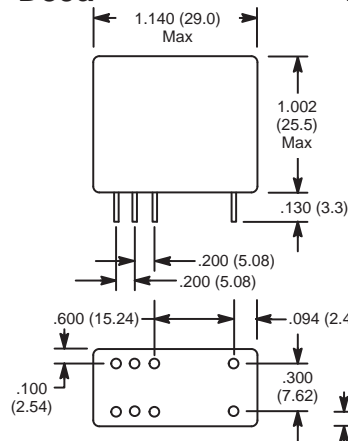
MOUNTING STYLES	DESCRIPTION	NTE TYPE NO.
PC MOUNT	8-PIN	R95-132
DIN RAIL MOUNT	8-PIN	R95-131

R25 Series

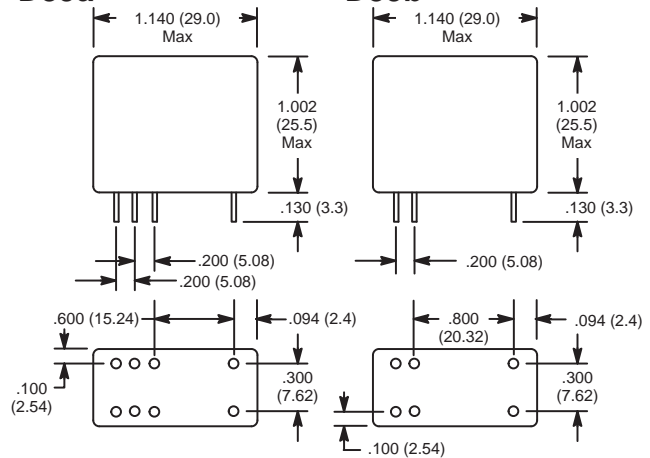


8 Amp, 10 Amp & 16 Amp PC Mountable Relays.

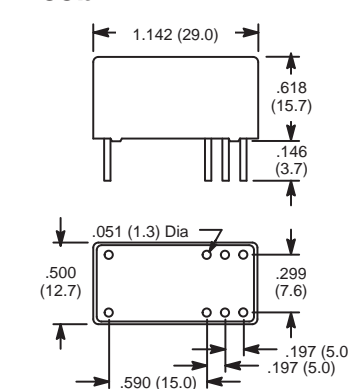
D39a



D39b



D83b



Electrical Specifications

Contact

Rating Resistive Load: 16 Amp @ 250/440 VAC, 10 Amp @ 250/440 VAC, 8 Amp @ 240VAC **
Contact Material: AgCdO, AgNi **

Coil

Coil Voltages: See Chart
Pick-up Voltage: 80% of rated voltage
Drop-out Voltage: 10% of rated voltage, 15% of rated voltage **
Resistance: See chart
Nominal Power: See Chart

Operational Characteristics

Timing Values Operate Time: Approx 8 mS, 20ms **
Release Time: Approx 5 mS, 10ms **
Max Switching Rate: 20 operations per second

Insulation Characteristics

Dielectric Strength
Contact To Coil: 4000 VRMS, 5000 VRMS **
Across Open Contacts: 1000 VRMS, 2500VRMS **

Environmental Characteristics

Operating: -40°C to +70°C
Mechanical Life: 30 x 10⁶ operations min, 5,000,000 operations **

Weight

Std: 18 gram approx., 10 gram approx. **

** R25-11D10-24 ONLY

X-ON Electronics

Largest Supplier of Electrical and Electronic Components

Click to view similar products for [General Purpose Relays](#) category:

Click to view products by [NTE](#) manufacturer:

Other Similar products are found below :

[APF30318](#) [JVN1AF-4.5V-F](#) [PCN-105D3MHZ](#) [5JO-10000S-SIL](#) [5JO-1000CD-SIL](#) [5JO-400CD-SIL](#) [LY2S-AC220/240](#) [LYQ20DC12](#)
[6031007G](#) [6131406HQ](#) [6-1393099-3](#) [6-1393099-8](#) [6-1393122-4](#) [6-1393123-2](#) [6-1393767-1](#) [6-1393843-7](#) [6-1415012-1](#) [6-1419102-2](#) [6-](#)
[1423698-4](#) [6-1608051-6](#) [6-1608067-0](#) [6-1616170-6](#) [6-1616248-2](#) [6-1616282-3](#) [6-1616348-2](#) [6-1616350-1](#) [6-1616350-8](#) [6-1616358-7](#) [6-](#)
[1616359-9](#) [6-1616360-9](#) [6-1616931-6](#) [6-1617039-1](#) [6-1617052-1](#) [6-1617090-2](#) [6-1617090-5](#) [6-1617347-5](#) [6-1617353-3](#) [6-1617801-8](#) [6-](#)
[1617802-2](#) [6-1618107-9](#) [6-1618248-4](#) [M83536/1-027M](#) [CX-4014](#) [MAHC-5494](#) [MAVCD-5419-6](#) [703XCX-120A](#) [7-1393100-5](#) [7-1393111-7](#)
[7-1393144-5](#) [7-1393767-8](#)