

Thermodata Components

Modular Terminal Strips

A new concept in Terminal Strips

Mix and match: A new concept to help solve your packaging problems. Now you can mix terminations with "snap" together modules to provide permanent configurations

Reduce your Inventory

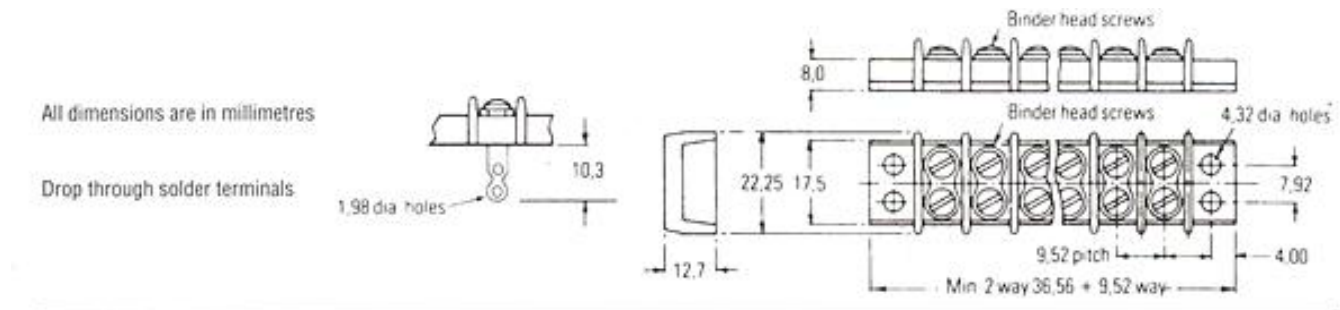
Make up what you want when you want to avoid "dead" stock

Technical Data

Material	High impact thermoplastic
Terminal plates	Brass, nickel plated
Terminal Tags	Brass, tin coated
Screws	6/32 UNC, Binder Head, nickel plated
Rating	15 amps - 750 V d.c. or a.c. peak Temperature range -55°C to +100°C

RoHS Compliant

Dimensions



Ordering Information



Twin Terminal 2 Way	Twin Terminal 3 Way	Drop-Through Solder Terminal 2 Way	Drop-Through Solder Terminal 3 Way	Joining Segment	End Fix Cover
R44 38	R44 41	R44 39	R44 42	P44 44	Plain - P44 45 Screw Fix - R44 46

© Thermodata Components - All Rights Reserved
PO Box 140, Sandy, SG19 2WL.
Telephone: +44 (0) 1767 683697 Fax: +44 (0) 1767 683347
Email: sales@thermodata.co.uk

X-ON Electronics

Largest Supplier of Electrical and Electronic Components

Click to view similar products for [thermodata](#) manufacturer:

Other Similar products are found below :

[TC 44 25C 05](#) [TC 44 25C 09](#) [TC 44 18 09](#) [TC 44 18 10](#) [TC 44 25C 06](#) [TC 44 25C 08](#) [R44 00018 00 003 000](#) [R44 00045 00 000 000](#)