



## Constant Current LED Driver

# Model Number AC-40CD1.05BCW

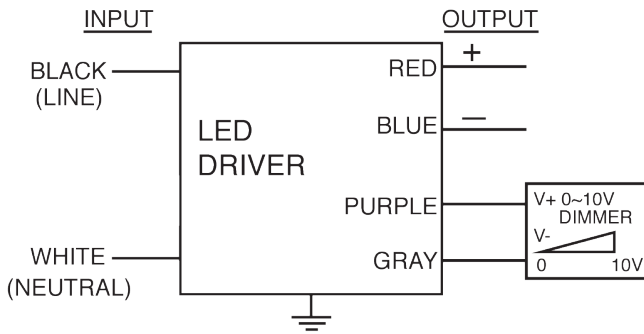
Input Voltage: 347V  
Input Frequency: 60Hz  
Side Mount/Leads



### ELECTRICAL SPECIFICATIONS:

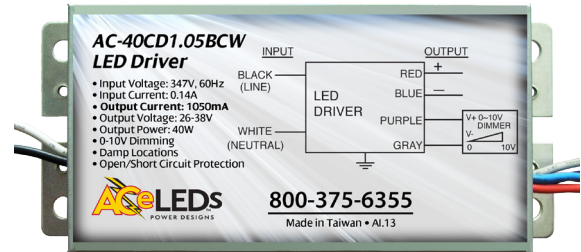
| Output Power Max | Input Power | Input Current | Minimum PF (full load) | Max. THD (full load) | Output Voltage | Output Current | T case Max. | Min. Starting Temp. | Efficiency Up To | Dimming Protocol | Dimming Range | IP Rating |
|------------------|-------------|---------------|------------------------|----------------------|----------------|----------------|-------------|---------------------|------------------|------------------|---------------|-----------|
| 40W              | 48W         | 0.14A         | >0.9                   | <20%                 | 26-38V         | 1050mA±5%      | 90°C        | -40°C               | 84%              | 0 to 10V         | 10 to 100%    | 66        |

### WIRING:



| Lead Lengths |      |      |      |        |      |
|--------------|------|------|------|--------|------|
| Black        | 5.9" | Blue | 5.9" | Purple | 5.9" |
| White        | 5.9" | Red  | 5.9" | Gray   | 5.9" |

### PHYSICAL:



### Dimensions

|                 |          |
|-----------------|----------|
| Length          | 6.5"     |
| Width           | 2.9"     |
| Height          | 1.18"    |
| Mounting Length | 5.9"     |
| Weight          | .83 lbs. |
| Case Qty.       | 40 pcs.  |

### SAFETY & PERFORMANCE:

- UL and cUL,
- UL Outdoor Type I,
- Class A sound rating
- No PCBs
- IP66
- Open/Short Circuit Protection
- LED driver has a life expectancy of 50,000 hours at Tcase of ≤75°C
- LED driver has a life expectancy of 100,000 hours at Tcase of ≤65°C
- Warranty: 5 yrs based on max case temp of <75°C; 3 yrs based on max case temp of 90°C\*
- Input/Output Isolation
- FCC Title 47 CFR Part 15
- Surge Protection (2 KV)

### INSTALLATION:

- IP 66 Harsh Weatherproof
- Max Remote installation distance is 18 ft
- LED driver cases should be grounded
- LED drivers shall be installed inside electrical enclosures
- 18 AWG 600V/105C tinned stranded copper lead-wires are required for installation



\*AC Electronics/AC LED Power Designs warrants to the purchaser that each LED Driver will be free from defects in material or workmanship for a period of 5 years when operated at max case temp of up to <75°C; 3 years from date of manufacture when operated at a max case temp of up to 90°C when properly installed and under normal conditions of use. See [aceleds.com](http://aceleds.com) for complete warranty policy.



3401 Avenue D, Arlington, TX 76011 • 800-375-6355 • [www.aceleds.com](http://www.aceleds.com)

Data is based upon tests performed by AC Electronics in a controlled environment and representative performance. Actual performance can vary depending on operating conditions. Specifications are subject to change without notice. All specifications are nominal unless otherwise noted.



## X-ON Electronics

Largest Supplier of Electrical and Electronic Components

*Click to view similar products for [Gate Drivers](#) category:*

*Click to view products by [AC Electronics](#) manufacturer:*

Other Similar products are found below :

[00028](#) [00053P0231](#) [8967380000](#) [56956](#) [CR7E-30DB-3.96E\(72\)](#) [57.404.7355.5](#) [LT4936](#) [57.904.0755.0](#) [5801-0903](#) [5803-0901](#) [5811-0902](#)  
[5813-0901](#) [58410](#) [00576P0030](#) [00581P0070](#) [5882900001](#) [00103P0020](#) [00600P0005](#) [00-9050-LRPP](#) [00-9090-RDPP](#) [5951900000](#) [01-](#)  
[1003W-10/32-15](#) [LTI LA6E-1S-WH-RC-FN12VXCR1](#) [0131700000](#) [00-2240](#) [LTP70N06](#) [LVP640](#) [0158-624-00](#) [5J0-1000LG-SIL](#) [020017-13](#)  
[LY1D-2-5S-AC120](#) [LY2-0-US-AC120](#) [LY2-US-AC240](#) [LY3-UA-DC24](#) [00-5150](#) [00576P0020](#) [00600P0010](#) [LZNQ2M-US-DC5](#) [LZNQ2-](#)  
[US-DC12](#) [LZP40N10](#) [00-8196-RDPP](#) [00-8274-RDPP](#) [00-8275-RDNP](#) [00-8609-RDPP](#) [00-8722-RDPP](#) [00-8728-WHPP](#) [00-8869-RDPP](#) [00-](#)  
[9051-RDPP](#) [00-9091-LRPP](#) [00-9291-RDPP](#)