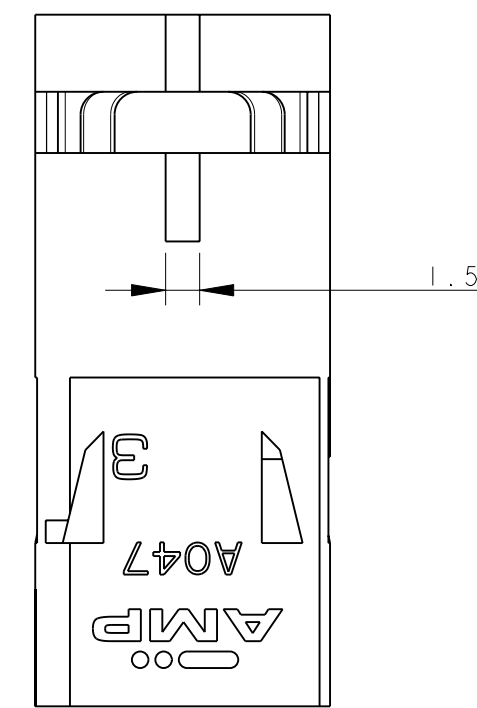
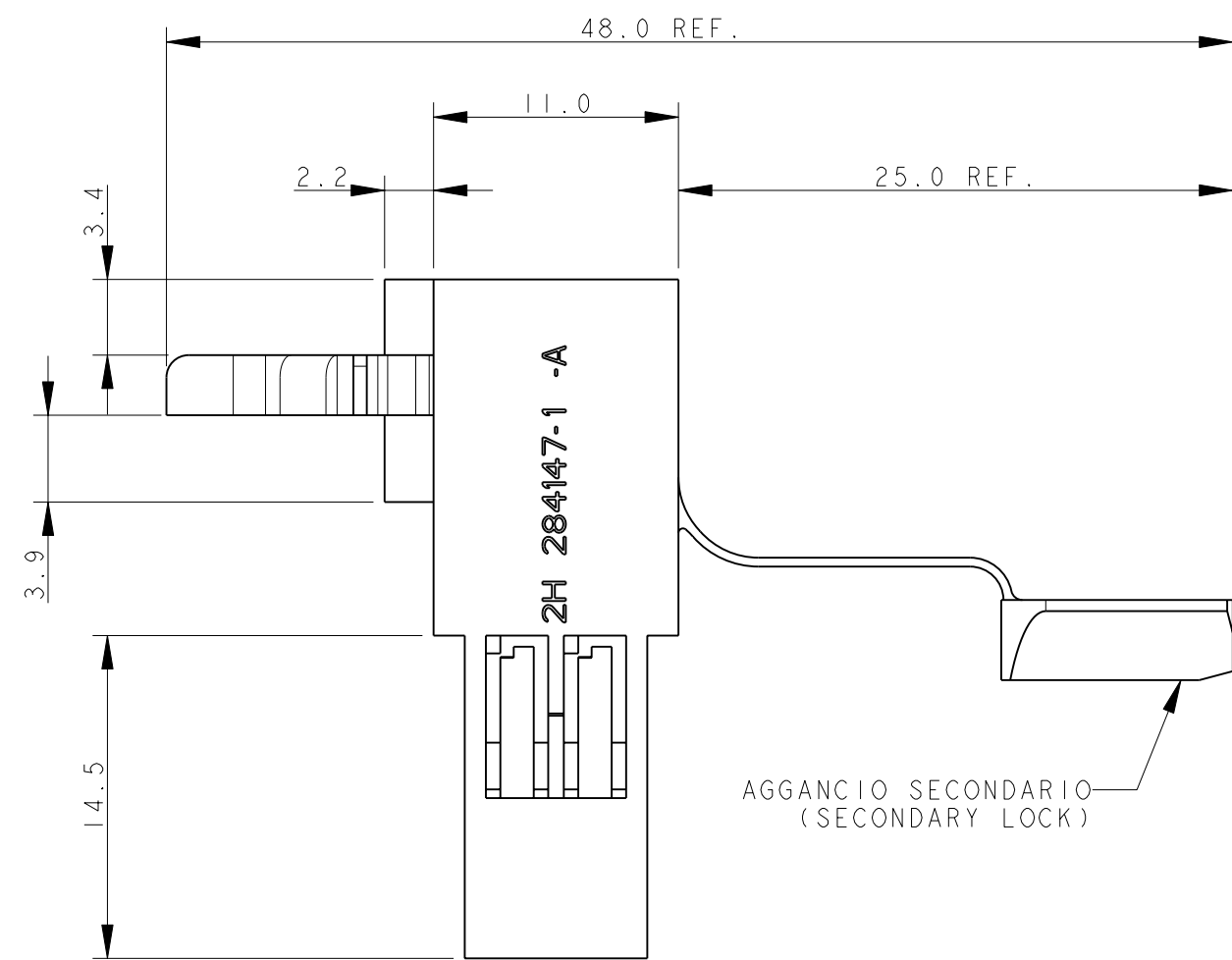
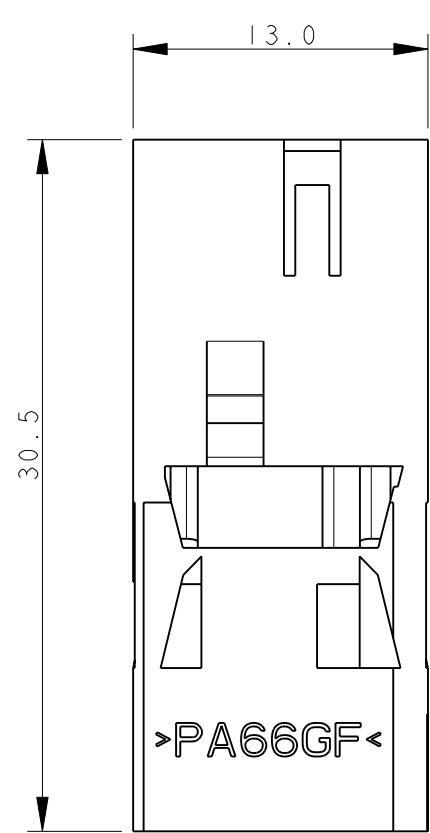
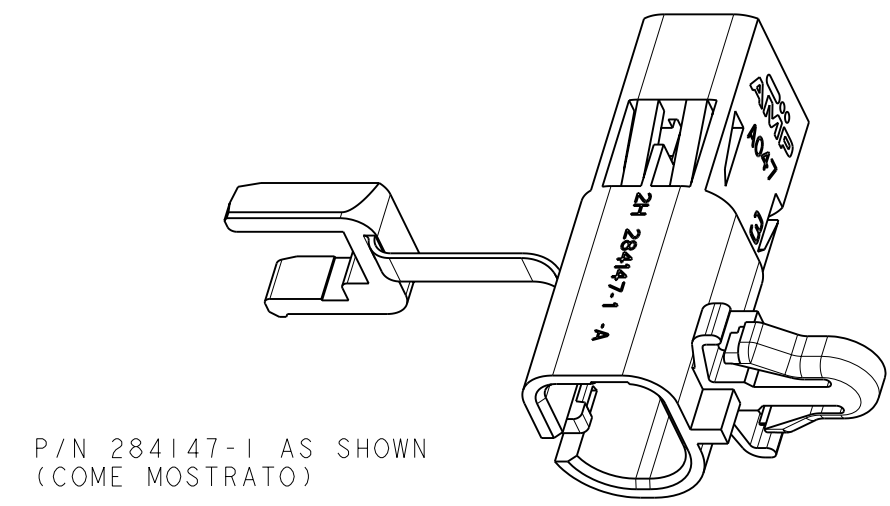
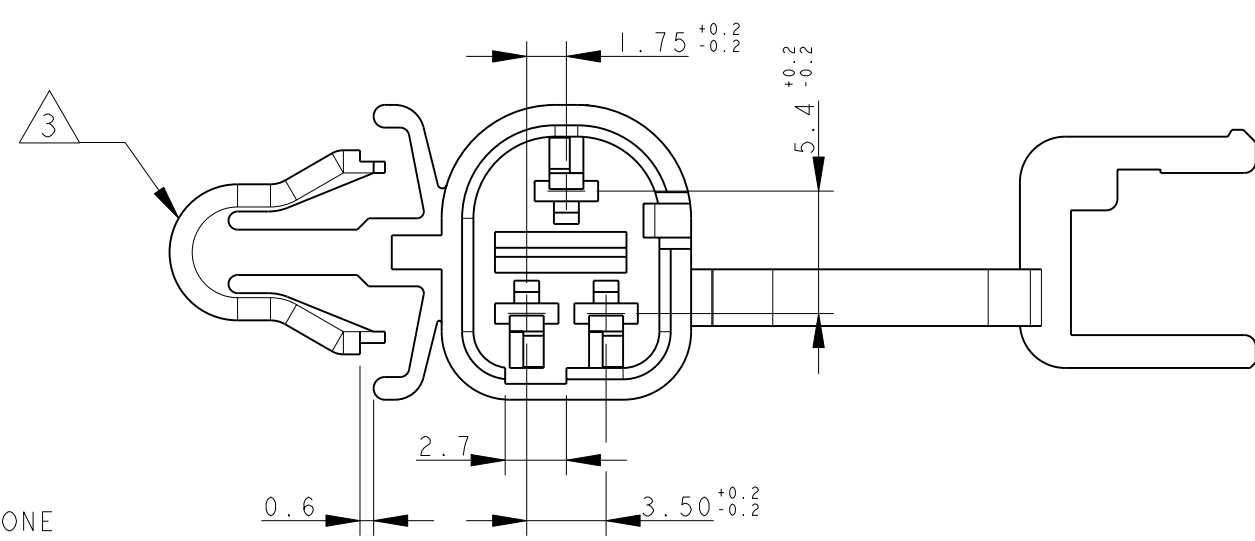


P	LTR	DESCRIPTION	DATE	DWN	APVD
A		FIRST ISSUE (ET00-0092-98)	10APR1998	P.S.	C.B.
A1		UPDATED, ADDED SHEET 2 (ET00-0067-99)	22FEB1999	A.M.	O.C.
A2		CORR.POL.KEY SHEET 2/2 (ET00-0134-99)	16APR1999	A.M.	O.C.
A3		CORRECTED NOTE 1 SHEET 1/2 (ET00-0230-99)	25JUN1999	A.M.	O.C.
A4		FPI UPDATED AND RELEASED (ET00-0256-02)	01MAR2004	M.B.	O.C.
A5		REVISED PER ECR-09-025969	30NOV2009	M.G.	M.G.



AGGANCIO SECONDARIO (SECONDARY LOCK)



1) BLOCCHETTO ADATTO PER CONTATTI MULTILOCK .070 SECONDA GENERAZIONE P/N 284080-1 E P/N 284107-1 (HOUSING SUITABLE FOR MULTILOCK .070 SECOND GENERATION CONTACTS P/N 284080-1 AND P/N 284107-1)

2) MATERIALE: PA 66 GF COLORE NERO (MATERIAL: PA 66 GF COLOR BLACK)

3) AGGANCIO ADATTO PER FORO PANNELLO Ø 6.5 +0.30 SPESSORE PANNELLO LAMIERA 0.9 ± 0.1 (HOOK SUITABLE FOR PANEL HOLE Ø 6.5 +0.30 THICK SHEET METAL PANEL 0.9 ± 0.1)

4) ADATTO PER CONTROPARTE P/N 284148-1 (SUITABLE COUNTERPART: P/N 284148-1)

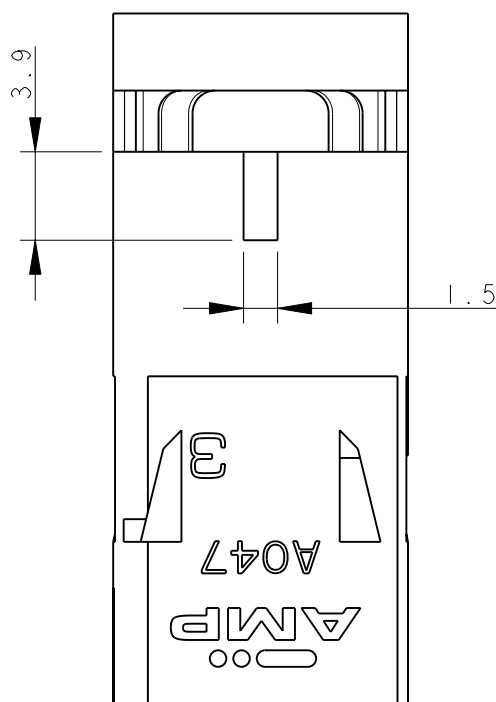
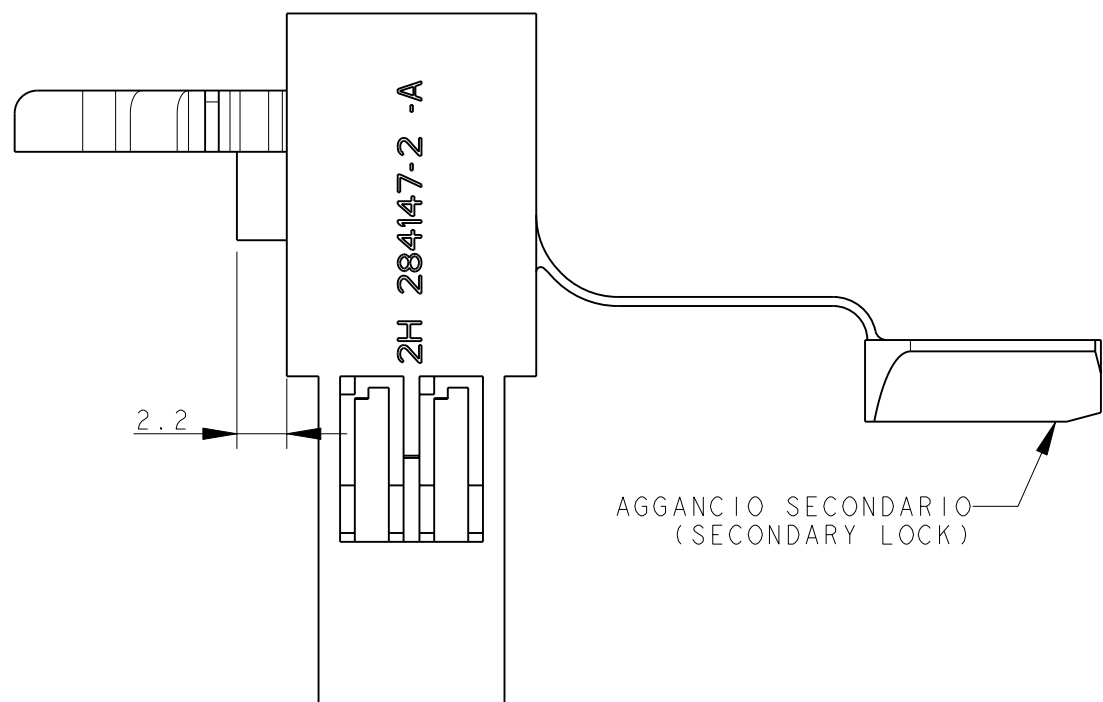
THIS DRAWING IS A CONTROLLED DOCUMENT FOR TYCO ELECTRONICS CORPORATION IT IS SUBJECT TO CHANGE AND THE CONTROLLING ENGINEERING ORGANIZATION SHOULD BE CONTACTED FOR THE LATEST REVISION.

DIMENSIONS:		TOLERANCES UNLESS OTHERWISE SPECIFIED:	
mm			
	0 PLC	±1.0	
	1 PLC	±0.3	
	2 PLC	±0.3	
	3 PLC	±-	
	4 PLC	±-	
	ANGLES	±1°	
MATERIAL	FINISH	-	

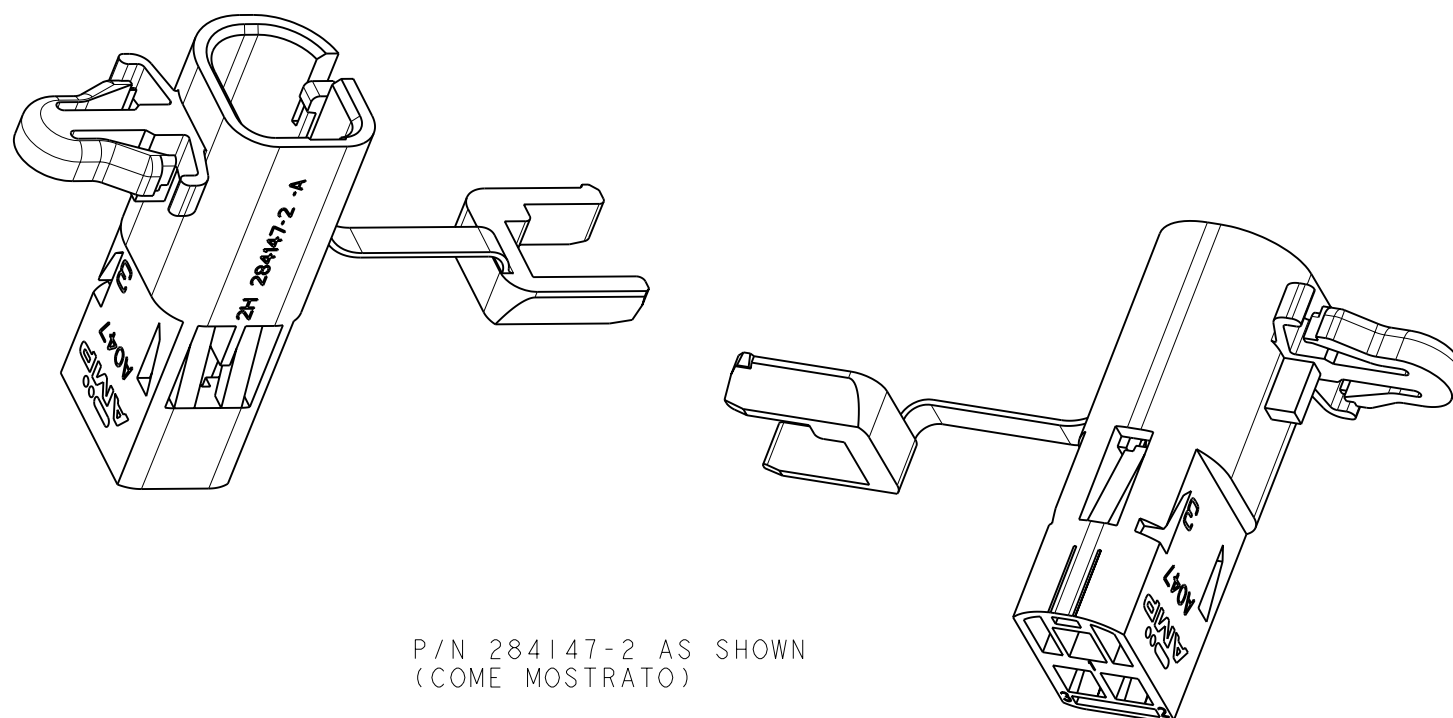
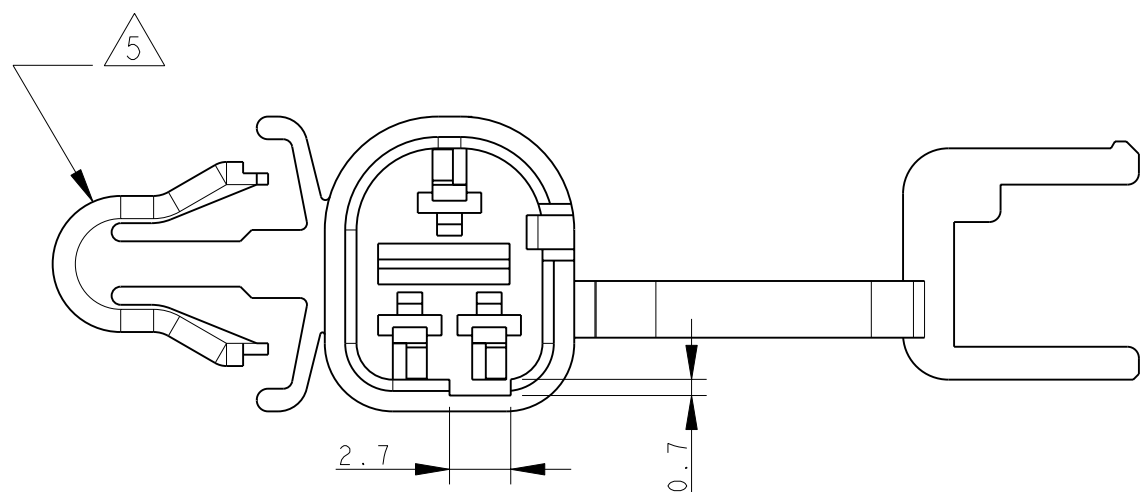
DWN	P. SANTANGELO	30 JAN 98
CHK	C. BERTINI	30 JAN 98
APVD	A. BRUNI	30 JAN 98
PRODUCT SPEC	-	
APPLICATION SPEC	-	
WEIGHT	-	
CUSTOMER DRAWING		

Tyco Electronics AMP Italia S.r.l. Corso F.lli Cervi, 15 - Collegno (TO)		NAME	
-		3 POS. .070 MULTILOCK MALE CONNECTOR	
SIZE	CAGE CODE	DRAWING NO	RESTRICTED TO
A3	00779	C-284147	-
SCALE 3:1		SHEET 1 OF 2	REV A5

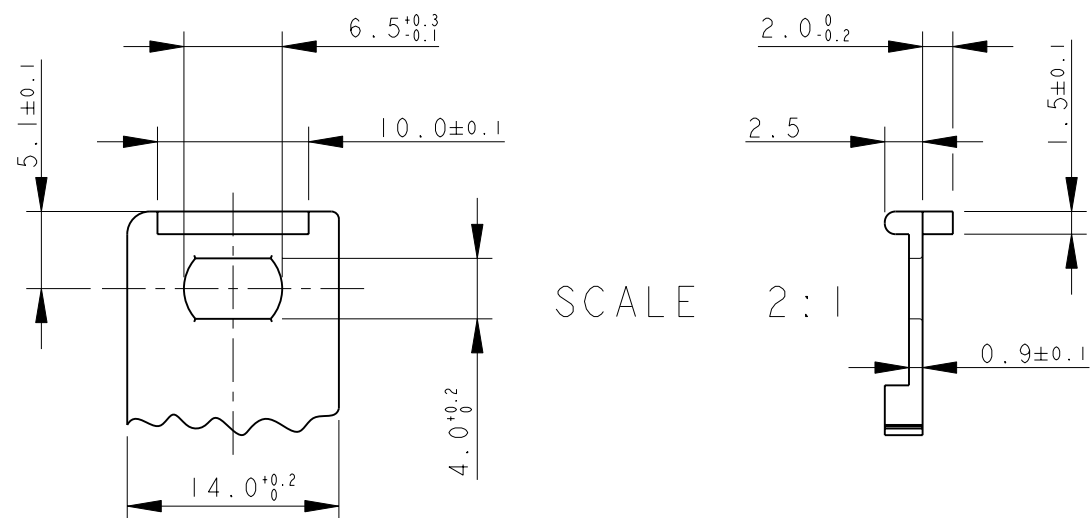
LOC	DIST	REVISIONS			
P	LTR	DESCRIPTION	DATE	DWN	APVD
1	-	SEE SHEET 1/2			



- BLOCCHETTO ADATTO PER CONTATTI MULTILOCK .070 SECONDA GENERAZIONE P/N 284080-1 E P/N 284107-1.
(HOUSING SUITABLE FOR MULTILOCK .070 SECOND GENERATION CONTACTS P/N 284080-1 AND P/N 284107-1)
- MATERIALE: PA 66 GF COLORE BIANCO.
(MATERIAL: PA 66 GF COLOR WHITE)
- IL P/N 284147-2 DIFFERISCE DAL P/N 284147-1 PER LE QUOTE INDICATE
(P/N 284147-2 IS DIFFERENT FROM P/N 284147-1 FOR SHOWN DIMENSIONS)
- PER LE DIMENSIONI MANCANTI VEDERE P.N. 284147-1 FOGLIO 1/2)
(FOR MISSING DIMENSIONS SEE P.N. 284147-1 SHEET 1/2)
- AGGANCIO ADATTO PER FORO PANNELLO CON GEOMETRIA INDICATA
(HOOK SUITABLE FOR PANEL HOLE AS SHOWN)
- ADATTO PER CONTROPARTE P/N 284148-2
(SUITABLE COUNTERPART: P/N 284148-2)



CONTROPARTE DI AGGANCIO (MATING PART) 5



THIS DRAWING IS A CONTROLLED DOCUMENT FOR TYCO ELECTRONICS CORPORATION IT IS SUBJECT TO CHANGE AND THE CONTROLLING ENGINEERING ORGANIZATION SHOULD BE CONTACTED FOR THE LATEST REVISION.

DIMENSIONS: mm		TOLERANCES UNLESS OTHERWISE SPECIFIED:	
0 PLC	±1.0	1 PLC	±0.3
2 PLC	±0.3	3 PLC	±-
4 PLC	±-	ANGLES	±1°
MATERIAL	FINISH	-	

DWN	30 JAN 98	Tyco Electronics AMP Italia S.r.l. Corso F.lli Cervi, 15 - Collegno (TO)			
CHK	30 JAN 98				
APVD	30 JAN 98				
P. SANTANGELO		NAME			
C. BERTINI					
A. BRUNI		3 POS. .070 MULTILOCK MALE CONNECTOR			
-					
APPLICATION SPEC		SIZE	CAGE CODE	DRAWING NO	RESTRICTED TO
-		A3	00779	C-284147	-
CUSTOMER DRAWING		SCALE	SHEET	OF	REV
-		3:1	2	2	A5

X-ON Electronics

Largest Supplier of Electrical and Electronic Components

Click to view similar products for [Automotive Connectors](#) category:

Click to view products by [TE Connectivity](#) manufacturer:

Other Similar products are found below :

[003-018-000](#) [600858](#) [60403001](#) [60993906-B](#) [60993913-B](#) [629515004020001](#) [M902-2131](#) [M902-2161](#) [M902-2344](#) [72.330.1035.1](#)
[73.353.4028.0](#) [F118010](#) [F119300-B](#) [F132210](#) [F132210-B](#) [F166900](#) [F180100](#) [F258300](#) [F258300-B](#) [F294300-B](#) [F339100](#) [F339700](#) [F358300-](#)
[B](#) [F374110](#) [F407400](#) [F412210](#) [F427600](#) [F444110](#) [F487000](#) [F495100-B](#) [F500900-B](#) [F509500B-B](#) [770444-1](#) [776880-1](#) [827153-1](#) [881735-1](#)
[8N1515-32-24P](#) [9-1326727-8](#) [9-1326729-8](#) [925467-1](#) [925474-1](#) [928905-1](#) [936398-2](#) [964562-1](#) [964562-4](#) [964731-2](#) [965051-1](#) [968782-1](#)
[GT17SA-8DS-HU](#) [GT17VS-10DP-5.2CF](#)