

K3G280AK Series EC Fan Module

Ø 280mm Backward Curved, EC-i



■ **Material:** stator and electronics housing made of die-cast aluminum, rotor made of sheet steel (enameled in black), impeller made of sheet aluminum, galvanized sheet metal parts

■ **Technical features:** control input 0-10 VDC / PWM, rs485, ebus, alarm relay, integrated PID control, voltage supply for sensor, input for sensor 0-10 V respectively 4-20 mA, 0-10 V output for slave, PFC (passive), soft start, line undervoltage detection, phase failure detection, motor current limitation, over-temperature protected electronics and motor, locked-rotor protection.

■ **Type of protection:** IP 54

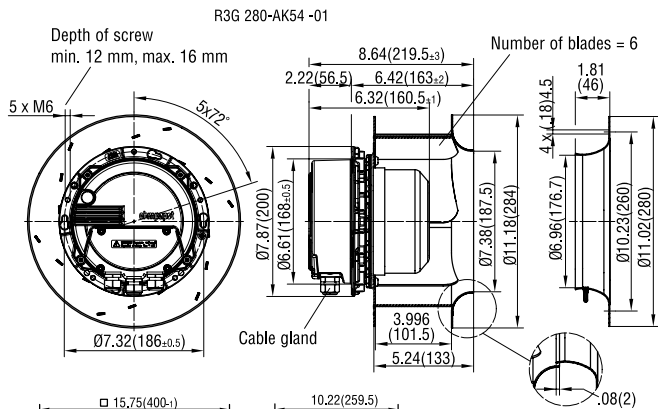
■ **Approvals:** UL, CSA, VDE, CE, CCC and GOST applications pending

■ **Mounting position:** norm is shaft horizontal or rotor on top

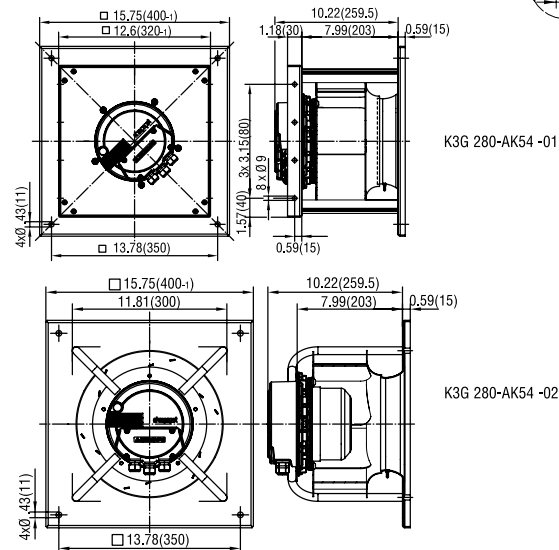
■ **Recommended inlet ring:**

R3G280	28002-2-4013
K3G280	integrated

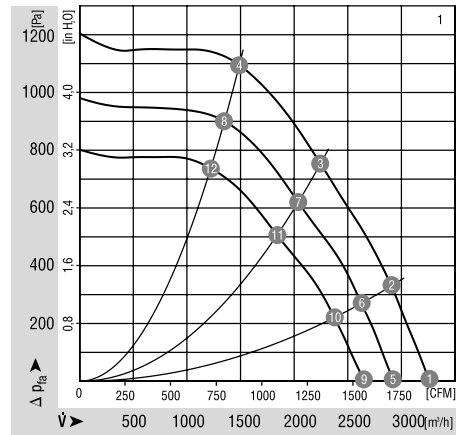
Part Number	Curve	CFM @ 0	3-VAC	Hertz	Power (W)	dBA	Max. Amb. Temp. C	Speed (RPM)	Weight (lbs.)
R3G280-AK54-01	1	2060	380-480	50/60	1000	83	50	2700	11.69
K3G280-AK54-02	1	2060	380-480	50/60	1000	83	50	2700	22.05
K3G280-AM54-01	1	2060	380-480	50/60	1000	83	50	2700	24.26



	n [RPM]	P ₁ [W]	I [A]	η _{TL} [%]	Lp _A [dBA]	n [RPM]	P ₁ [W]	I [A]	η _{TL} [%]	Lp _A [dBA]
1	3400	805	1.5	83	—	2800	450	0.8	78	—
1	3400	903	1.7	79	38	2800	502	0.9	74	38
1	3400	992	1.8	77	55	2800	554	1.0	73	55
1	3400	967	1.8	76	54	2800	538	1.0	72	54
1	3100	608	1.1	81	—					
1	3100	679	1.2	77	38					
1	3100	749	1.4	75	55					
1	3100	728	1.3	75	54					

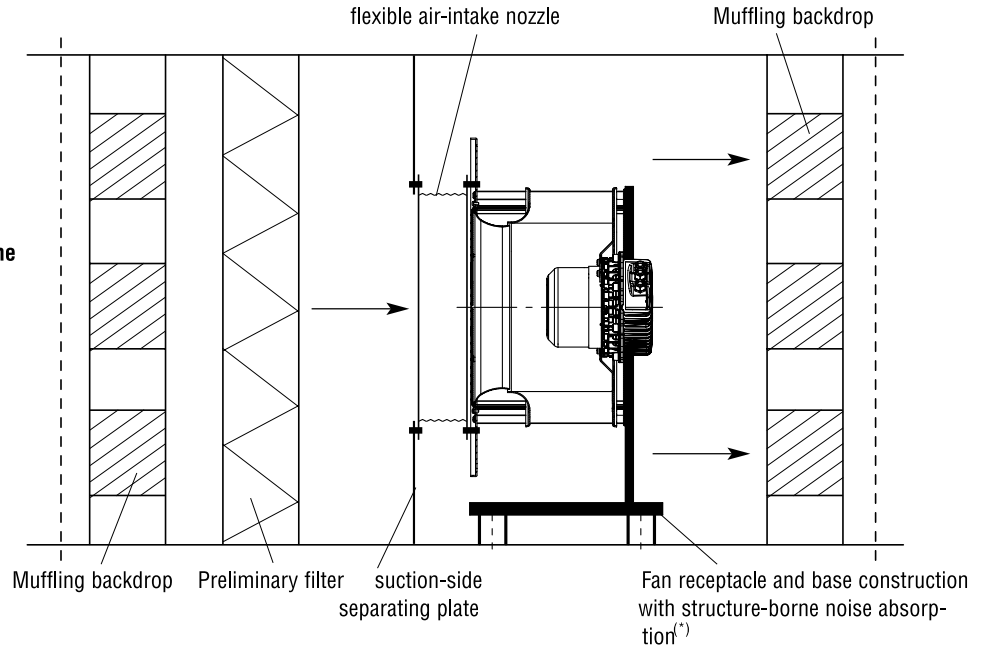


Curve

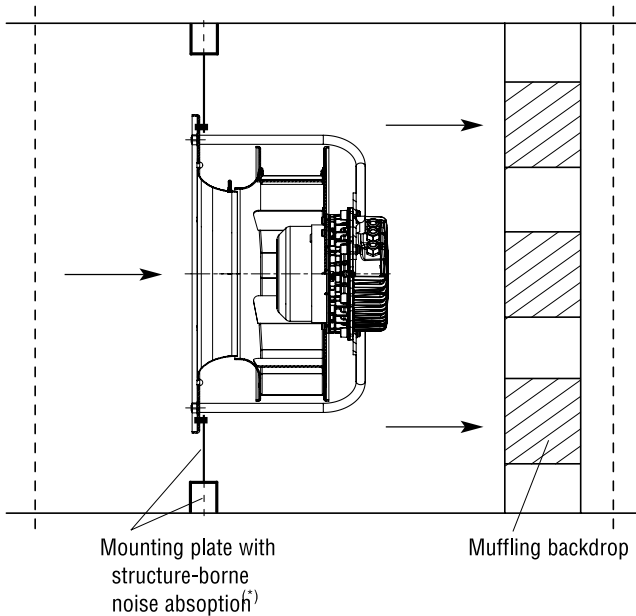


EC Centrifugal Fan Modules Mounting Options

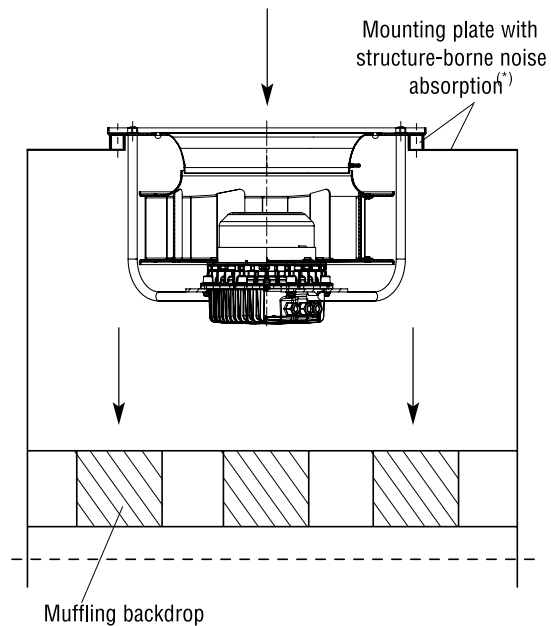
1.) AHU set-up with fan unit mounted in structure-borne noise absorbend way, anti-vibration mounted



2a.) Centrifugal fan / Module for direct installation on mounting plate with structure-borne noise absorption and anti-vibration mount (horizontal air flow)



2b.) Centrifugal fan / Module for direct installation on mounting plate with structure-borne noise absorption and anti-vibration mount (vertical air flow)



^(*)= provided by customer

X-ON Electronics

Largest Supplier of Electrical and Electronic Components

Click to view similar products for [Blowers](#) category:

Click to view products by [ebm papst](#) manufacturer:

Other Similar products are found below :

[G2E120-CR21-13](#) [R2D160-AC02-13](#) [R2D220-AA24-13](#) [RLF35-812N2P-103](#) [KFB1724VHT-AF00](#) [D4E133-AA01-51](#) [D4E133-DH61-D1](#)
[D4E180-BA04-18](#) [Z4.802.1680.0](#) [R3G280-AK54-01](#) [G3G120-BB13-02](#) [1398425-1](#) [R2D225-AV02-14](#) [D2E146-HT67-63](#) [BFB0524HH-R00](#)
[R3G133-AE17-02](#) [D4E225-BC01-23](#) [R3G190-AB23-02](#) [RER101-36/14N/2HHA-184](#) [G3G160-AC70-01](#) [R3G250-AM70-01](#) [R2E160-AY47-](#)
[10](#) [R2E180-AS77-40](#) [R87B-PF01](#) [R87F-A3A83H](#) [R87F-A4A15MP](#) [R87T-A6A07H](#) [MF50151VX-B00U-A99](#) [BFB0512HH-T50F](#)
[BFB0712H](#) [109BD12HA2](#) [109BD24HD2](#) [109BF12MA2](#) [109BF12MC2](#) [109BF24HA2](#) [109BF24HC2](#) [109BD12MC2](#) [109BF12HA2](#)
[109BF12HC2](#) [109BF24HD2](#) [R3G280-AF45-81](#) [BFB0724H-T500](#) [R87F-A3A15HP](#) [R87F-A4A93HP](#) [R87F-A3A93HP](#) [R2E140-AS77-05](#)
[R2E180-AS77-22](#) [R2E180-CB28-01](#) [14539GA-12N-AA-00](#) [R87F-A1A85HP](#)