

FEATURES

- Low cost crystal for mass market applications
- Surface mount version of HC49-4H crystal
- Comprehensive stockholding of standard frequencies
- Customized parts readily available
- Industry-standard package
- Low-profile versions available

DESCRIPTION

49USMX crystals are low profile surface mount crystals that have the same footprint as standard HC49 or HC49-4H crystals. 49USMD crystals are ideal for use in low cost, mass-market applications but are also able to be produced to close tolerances when required.

SPECIFICATION

Frequency Range:	3.2MHz to 70MHz
Calibration Tolerance:	±30ppm at 25°C standard ±10ppm available
Frequency Stability over Temp.	
AT-Cut:	±30ppm over -10° ~ +60°*
BT-Cut:	±100ppm over -10° ~ +60°C*
Operating Temperature Range:	-10° ~ +60°C to -40° ~ +85°C
Shunt Capacitance (C0):	4pf typical, 7pF maximum
Load Capacitance (CL):	Series or from 8pF to 32pF (Customer specified)
Ageing:	±3ppm maximum in first year ±1ppm per year thereafter (Ta = 25°C, drive 100µW)
Drive Level:	100µW typical, 500µW maximum
Reflow Soldering:	260°C, 10s maximum
Holder:	Hermetic seal, resistance weld
Packaging:	EIA 24mm tape and reel 1000 pieces per reel
RoHS Status:	Compliant

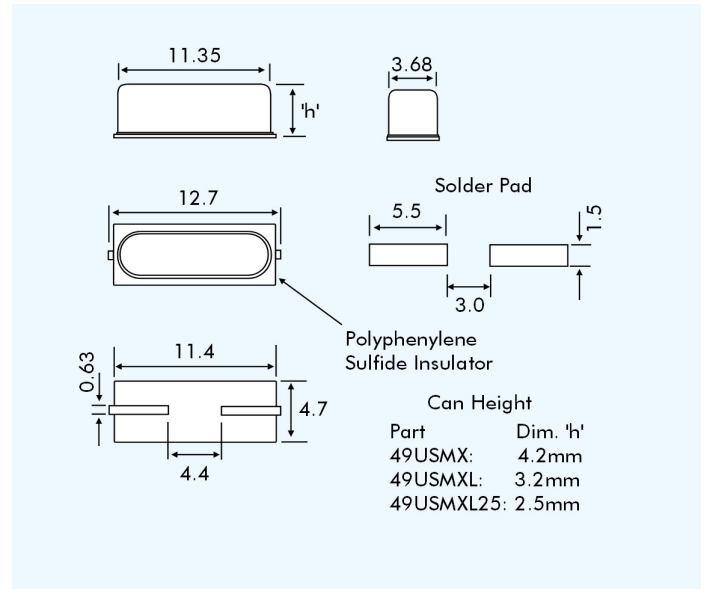
EQUIVALENT SERIES RESISTANCE

Frequency Range MHz	Crystal Cut/ Mode	ESR Ohms Max.
3.2~3.4	AT-Fund.	300
3.5~4.0	AT-Fund.	150
4.1~4.9	AT-Fund.	120
5.0~5.9	AT-Fund.	100
6.0~8.9	AT-Fund.	80
9.0~9.9	AT-Fund.	60
10.0~12.9	AT-Fund.	50
13.0~24.0	AT-Fund.	45
24.1~30.0	AT-Fund.	40
24.0~48.0	BT-Fund.	40
27.0~30.0	AT-3rd OT	150
30.0~50.0	AT-3rd OT	100
50.1~70.0	AT-3rd OT	80

49SMD Standard and Low Profile



OUTLINE & DIMENSIONS



PART NUMBER GENERATION

Example: 12.000MHz 49USMX/30/50/-20+70/18pF/ATF

Nominal Frequency

Package (height variants):
49USMX (4.2mm)
49USMXL (3.2mm)
49USMXL25 (2.5mm)

Calibration tolerance
at 25°C (±ppm)

Temperature Stability
over temp. range (±ppm)

Operating Temp. Range (°C)
(Lower and upper limits)

Load Capacitance
(Either SR for series or CL in pF)

Crystal Mode
ATF = AT-cut Fundamental
BTF = BT-cut Fundamental
AT3 = AT-cut 3rd Overtone

X-ON Electronics

Largest Supplier of Electrical and Electronic Components

Click to view similar products for [Euroquartz manufacturer](#):

Other Similar products are found below :

[24.000MHZ MJ/30/30/40/12PF](#) [14.31818MHZ 49USMX/30/50/40/18PF/ATF](#) [32.000MHZ XO53050UITA](#) [14.7456MHZ XO91050UITA](#)
[4.194304MHZ 49USMX/30/50/40/18PF/ATF](#) [14.7456MHZ HC49/4H/30/50/40/18PF/ATF](#) [14.7456MHZ MQ/30/30/40/12PF](#) [24.576MHZ](#)
[XO91050UITA](#) [10.000MHZ XO91050UITA](#) [20.000MHZ MQ/30/30/40/12PF](#) [10.000MHZ MQ/30/30/40/12PF](#) [16.000MHZ XO53050UITA](#)
[10.000MHZ XO53050UITA](#) [20.000MHZ 49USMX/30/50/40/18PF/ATF](#) [27.000MHZ HC49/4H/30/50/40/18PF/ATF](#) [24.576MHZ](#)
[HC49/4H/30/50/40/18PF/ATF](#) [16.384MHZ HC49/4H/30/50/40/18PF/ATF](#) [18.432MHZ MJ/30/30/40/12PF](#) [48.000MHZ XO91050UITA](#)
[24.000MHZ XO91050UITA](#) [3.57954MHZ HC49/4H/30/50/40/18PF/ATF](#) [10.000MHZ 49USMX/30/50/40/18PF/ATF](#) [11.059MHZ](#)
[HC49/4H/30/50/40/18PF/ATF](#) [8.000MHZ XO53050UITA](#) [6.000MHZ HC49/4H/30/50/40/18PF/ATF](#) [16.384MHZ](#)
[49USMX/30/50/40/18PF/ATF](#) [24.576MHZ MJ/30/30/40/12PF](#) [20.000MHZ MJ/30/30/40/12PF](#) [25.000MHZ MQ/30/30/40/12PF](#) [4.19430MHZ](#)
[HC49/4H/30/50/40/18PF/ATF](#) [MH32768C](#) [4.000MHZ HC49/4H/30/50/40/18PF/ATF](#) [3.579545MHZ 49USMX/30/50/40/18PF/ATF](#)
[14.3181MHZ HC49/4H/30/50/40/18PF/ATF](#) [25.000MHZ HC49/4H/30/50/40/18PF/ATF](#) [8.000MHZ XO91050UITA](#) [8.000MHZ](#)
[MQ/30/30/40/12PF](#) [24.000MHZ 49USMX/30/50/40/18PF/ATF](#) [24.000MHZ XO53050UITA](#) [27.000MHZ 49USMX/30/50/40/18PF/ATF](#)
[12.000MHZ MQ/30/30/40/12PF](#) [16.000MHZ MQ/30/30/40/12PF](#) [7.3728MHZ 49USMX/30/50/40/18PF/ATF](#) [11.0592MHZ MJ/30/30/40/12PF](#)
[3.6864MHZ 49USMX/30/50/40/18PF/ATF](#) [40.000MHZ XO91050UITA](#) [4.9152MHZ HC49/4H/30/50/40/18PF/ATF](#) [25.000MHZ](#)
[MJ/30/30/40/12PF](#) [4.000MHZ 49USMX/30/50/40/18PF/ATF](#) [14.7456MHZ MJ/30/30/40/12PF](#)