



Plug 'n' Play compact axial fans

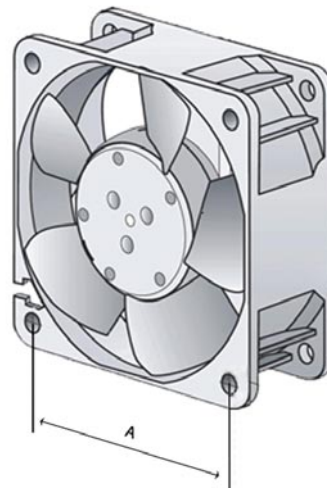
Complete with mountings and connector

- DC fans
- Plastic housing
- Ideal for PC cooling
- Molex connector fitted
- Connection via lead 313mm (+/- 10mm)
- Threaded brass inserts fitted on both sides
- Blowing over struts
- Protection IP20

Part Number	Airflow	Airflow	Voltage	Voltage Range	Noise	Sound Power	Bearings	Power	Speed	Temp range	Length	Width	Depth	Insert thread size	Connector
	m ³ /h	CFM	VDC	VDC	dB(A)	Bel		W	RPM	°C	mm	mm	mm		
412-F00	10	5.9	12	10...14	18	3.8	Sleeve	0.9	6000	-20...+70	40	40	40	M3	Molex 22-01-2025
414F-F00	8	4.7	24	20...28	22.1	4.4	Sleeve	0.8	5400	-20...+70	40	40	10	M3	Molex 22-01-2025
414-F00	10	5.9	24	20...28	18	3.8	Sleeve	1.0	6000	-20...+70	40	40	20	M3	Molex 22-01-2025
612F-F00	29	17.1	12	10.8...13.2	27	4.4	Sleeve	1.0	3900	-20...+70	60	60	15	M3	Molex 22-01-2025
614F-F00	29	17.1	24	21.6...26.4	27	4.4	Sleeve	1.1	3900	-20...+70	60	60	15	M3	Molex 22-01-2025
622N-F00	40	23.5	12	8...15	35	4.7	Ball	1.9	6100	-20...+70	60	60	25	M3	Molex 22-01-2025
624N-F00	40	23.5	24	12...28	35	4.7	Ball	2.2	6100	-20...+70	60	60	25	M3	Molex 22-01-2025
612NGN-F00	41	24.1	12	8...15	35	5.2	Sleeve	2.1	5100	-20...+70	60	60	25	M3	Molex 22-01-2025
612NGH-F00	46	27.1	12	18...15	38	5.5	Sleeve	2.6	5600	-20...+70	60	60	25	M3	Molex 22-01-2025
614NGL-F00	21	12.4	24	18...28	16	3.6	Sleeve	1.0	2500	-20...+70	60	60	25	M3	Molex 22-01-2025
614NGN-F00	41	24.1	24	18...28	35	5.2	Sleeve	2.1	5100	-20...+70	60	60	25	M3	Molex 22-01-2025
614NGHH-F00	56	33	24	18...28	43	6.3	Sleeve	3.8	6850	-20...+70	60	60	25	M3	Molex 22-01-2025
8412N-F00	69	40.6	12	8...15	32	4.7	Ball	2.0	3100	-20...+70	80	80	25	M3	Molex 22-01-2025
8414NGL-F00	33	19.4	24	18...28	12	3.5	Sleeve	0.7	1500	-20...+70	80	80	25	M3	Molex 22-01-2025
8414N-F00	69	40.6	24	18...28	32	4.7	Ball	2.0	3100	-20...+70	80	80	25	M3	Molex 22-01-2025
8414NGH-F00	79	46.5	24	18...26	37	5.0	Sleeve	2.8	3600	-20...+70	80	80	25	M3	Molex 22-01-2025
3412N-F00	84	49.4	12	8...15	32	4.7	Ball	2.2	2700	-20...+70	92	92	25	M3	Molex 22-01-2025
3414N-F00	84	49.4	24	18...28	32	4.7	Ball	2.3	2700	-20...+70	92	92	25	M3	Molex 22-01-2025
4414F-F00	170	100.1	24	12...28	43	5.3	Ball	5.0	2900	-20...+60	119	119	25	M3	Molex 22-01-2025
4312-F00	170	100.1	12	6...15	45	5.8	Ball	5.0	2800	-20...+75	119	119	32	M3	Molex 22-01-2025

Fixing Centres

Frame Size	Dimension A (mm)
40	32
60	50
80	71.5
92	82.5
119	104.8



Terminal Assignment

- 1 = Red (+)
- 2 = Blue (-)



X-ON Electronics

Largest Supplier of Electrical and Electronic Components

Click to view similar products for [ebm papst](#) manufacturer:

Other Similar products are found below :

[W2G110-AG43-01](#) [4412F/2GLL-515](#) [3252JH](#) [W2G110-AK43-31](#) [6224NT](#) [M2E068-BF83-12](#) [M4Q045-CA25-04](#) [D2E133-DM27-D8](#) [8314S](#)
[8414NHU](#) [A4E350-AQ02-09](#) [R4E400-AP15-10](#) [S2E250-AL06-12](#) [S4E300-AS72-50](#) [S4E450-AU03-02](#) [9496-2-4039-1](#) [A2D250-AA02-18](#)
[A2D300-AD02-01](#) [A2E300-AP02-01](#) [QR06A-2/106349](#) [R2E180CH0312](#) [R3G175-AF25-02](#) [RG125-19/12N/2](#) [RH31M-6/104372](#) [RH56M-](#)
[6/204689](#) [3950L](#) [4114NXH](#) [4412F](#) [4800N](#) [3212J/2N-301](#) [3214J39NR](#) [3314U](#) [D4E180-BA02-02](#) [W2D200-HH04-07](#) [W2S130-AA25-64](#)
[4314/17T](#) [4314R](#) [DV6424/12](#) [EE1G-115-140-03](#) [EE1G-230-160-02](#) [66313-2-4039](#) [4414FD](#) [4312R](#) [QLZ06/1800-2518](#) [QLK45/2400-2524L](#)
[R2D250-AF10-12](#) [R3G280-AF45-81](#) [R2S133-AE17-43](#) [414F2](#) [412J/2HH](#)