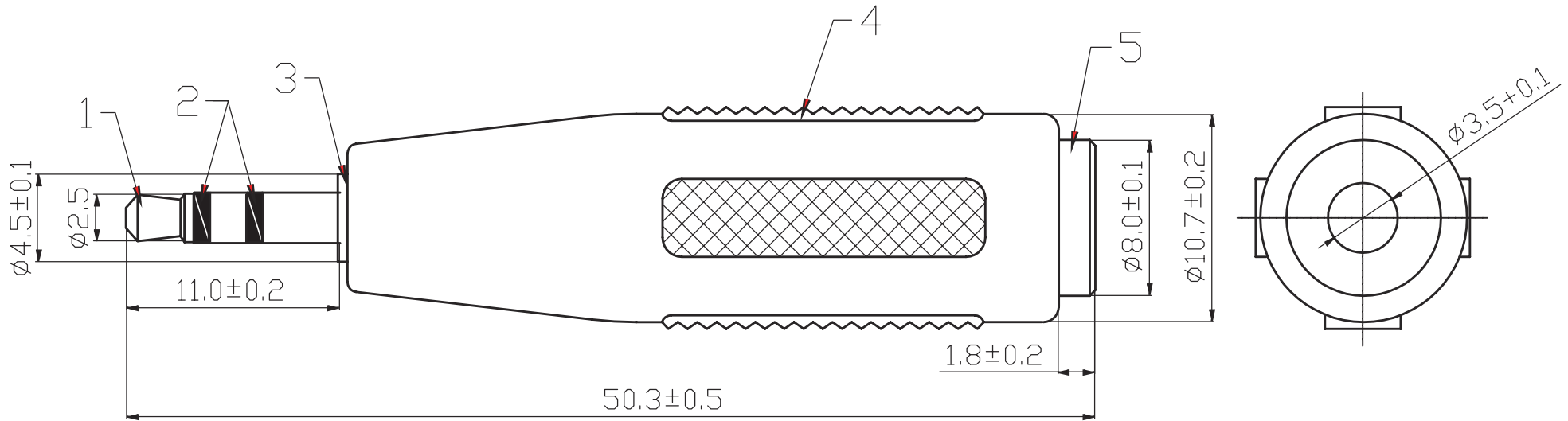


ECN #	REV	DESCRIPTION	DRAWN	DATE	CHECKD	DATE	APPRVD	DATE
-	1.0	RELEASED	SK	27/02/12	ER	27/02/12	ER	27/02/12



Dimensions : Millimetres (Inches)

Tolerances	
0 - 10	$\pm 0.05$
10 - 99	$\pm 0.5$
100 - 999	$\pm 10.0$
1000 - 9999	$\pm 100.0$
10000 - 99999	$\pm 1000.0$

Item	Designation	Material
1	Front Point	Brass
2	Dielectric	POM
3	Copper Head	Brass
4	Plastic Handle	PVC
5	3.5mm Stereo Jack	Brass

**Part Number Table**

Description	Part Number
Adaptor, 2.5mm Jack Plug - 3.5mm SKT	JR1344

www.element14.com  
 www.farnell.com  
 www.newark.com  
 www.cpc.co.uk

**Important Notice :** This data sheet and its contents (the "Information") belong to the members of the Premier Farnell group of companies (the "Group") or are licensed to it. No licence is granted for the use of it other than for information purposes in connection with the products to which it relates. No licence of any intellectual property rights is granted. The Information is subject to change without notice and replaces all data sheets previously supplied. The Information supplied is believed to be accurate but the Group assumes no responsibility for its accuracy or completeness, any error in or omission from it or for any use made of it. Users of this data sheet should check for themselves the Information and the suitability of the products for their purpose and not make any assumptions based on information included or omitted. Liability for loss or damage resulting from any reliance on the Information or use of it (including liability resulting from negligence or where the Group was aware of the possibility of such loss or damage arising) is excluded. This will not operate to limit or restrict the Group's liability for death or personal injury resulting from its negligence. pro-SIGNAL is the registered trademark of the Group. © Premier Farnell plc 2012.

<b>TOLERANCES:</b>  UNLESS OTHERWISE SPECIFIED, DIMENSIONS ARE FOR REFERENCE PURPOSES ONLY.	DRAWN BY:	DATE:
	SK	27/02/12
	CHECKED BY:	DATE:
	ER	27/02/12
	APPROVED BY:	DATE:
ER	27/02/12	

DRAWING TITLE: Stereo Adaptor			
2.5mm Plug - 3.5mm Socket			
SIZE	DWG NO.	ELECTRONIC FILE	REV
A4	JR1344	JR1344-1	1.0
SCALE: NTS		U.O.M.: mm (inch)	SHEET: 1 of 1

## **X-ON Electronics**

Authorized Distributor

*Click to view similar products for [Pro Signal manufacturer](#).*

Other Similar products are found below :

[JR803025M](#) [SPC23168](#) [PSG01325](#) [PSG90957](#) [PSG90815](#) [PSG01569](#) [PS11208](#) [PS11185](#) [PS11360](#) [PS11060](#) [PSG90809](#)  
[PSG90813](#) [PSG04068](#) [PSG00282](#) [FV023HLBNY303](#) [PSG01336](#) [PSG90961](#) [PSG90812](#) [PSG01501](#) [PS11386](#) [PS11160](#)  
[PS11161](#) [PS11165](#) [PS11306](#) [PS11095](#)