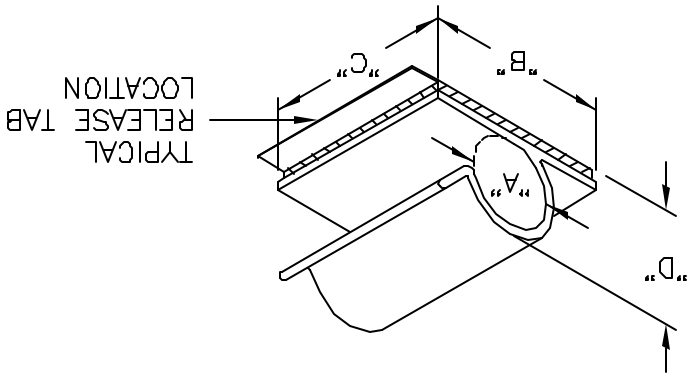
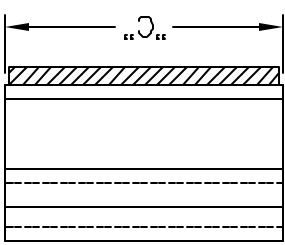
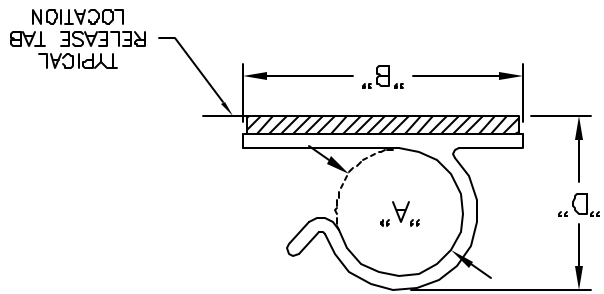


UNLESS OTHERWISE SPECIFIED, DIMENSIONS ARE FOR REFERENCE PURPOSES ONLY.

DISCLAIMER  
 ALL STATEMENTS AND TECHNICAL INFORMATION CONTAINED HEREIN ARE BASED UPON INFORMATION AND/OR TESTS WE BELIEVE TO BE ACCURATE AND RELIABLE, SINCE CONDITIONS OF USE ARE BEYOND OUR CONTROL, THE USER SHALL DETERMINE THE SUITABILITY OF THE PRODUCT FOR THE INTENDED USE AND ASSUME ALL RISK AND LIABILITY WHATSOEVER IN CONNECTION THEREWITH.

|       |         |              |     |
|-------|---------|--------------|-----|
| DATE: | 12/9/94 | APPROVED BY: | KD  |
| DATE: | 12/9/94 | CHECKED BY:  | JC  |
| DATE: | 12/6/94 | DRAWN BY:    | JAP |

|                            |        |                 |             |
|----------------------------|--------|-----------------|-------------|
| SCALE:                     | NTS    | U.O.M.:         | INCHES [mm] |
| SHEET:                     | 1 OF 1 |                 |             |
| REV                        | C      | ELECTRONIC FILE | TA-388.dwg  |
| SIZE                       | A      | DWG. NO.        | TA-388      |
| DRAWING TITLE: Cable Clips |        |                 |             |



ALL RIGHTS RESERVED. NO PORTION OF THIS PUBLICATION, WHETHER IN WHOLE OR IN PART CAN BE REPRODUCED WITHOUT THE EXPRESS WRITTEN CONSENT OF SFC TECHNOLOGY.

NOTES:

1. MATERIAL: PVC
2. COLOR: GRAY
3. FLAMMABILITY: UL94V-0
4. MOUNTS WITH DOUBLE ADHESIVE TAPE.  
SEE TECH NOTE #TN-003
5. FRACTIONAL TOLERANCE = ±1/64

| PART NO. | HOLDING CAPACITY "A" | "B"        | ±.015 (0.4) | ±.02 (0.5)/IN. | "C"        | "D"      |
|----------|----------------------|------------|-------------|----------------|------------|----------|
| ACC-1    | 1/8 (3.2)            | 3/4 (19.1) | 3/4 (19.1)  | 1 (25.4)       | 5/16 (7.9) | 1 (25.4) |
| ACC-2    | 1/4 (6.4)            | 3/4 (19.1) | 3/4 (19.1)  | 1 (25.4)       | 3/8 (9.5)  | 1 (25.4) |
| ACC-3    | 3/8 (9.5)            | 3/4 (19.1) | 3/4 (19.1)  | 1 (25.4)       | 1/2 (12.7) | 1 (25.4) |
| ACC-4    | 1/2 (12.7)           | 3/4 (19.1) | 3/4 (19.1)  | 1 (25.4)       | 5/8 (15.9) | 1 (25.4) |
| ACC-6    | 3/4 (19.1)           | 3/4 (19.1) | 3/4 (19.1)  | 1 (25.4)       | 7/8 (22.2) | 1 (25.4) |

| DCP # | REV | DESCRIPTION       | DRAWN | DATE    | CHECKD | DATE    | APPRVD | DATE    |
|-------|-----|-------------------|-------|---------|--------|---------|--------|---------|
| 811   | C   | Renamed-was ACC-* | JWM   | 9/16/01 | JC     | 9/11/01 | JC     | 9/11/01 |
| 28    | B   | Updated & redrawn | JAP   | 7/5/96  | JC     | 9/19/96 | BB     | 9/27/96 |

DCP NO. SFC-F005 \* Effective: 12/21/98 \* DCP No.: 880

## X-ON Electronics

Largest Supplier of Electrical and Electronic Components

*Click to view similar products for [Wire Identification](#) category:*

*Click to view products by [Pro Power](#) manufacturer:*

Other Similar products are found below :

[CU6337-000](#) [CU6342-000](#) [FCA-410-12](#) [11631010](#) [1-1768037-1](#) [1-1768037-2](#) [1-1768050-0](#) [PXLK-VI](#) [Q62184-1](#) [A64304-000](#) [QMT221](#)  
[HK032WE1NF038B](#) [1330-0519-10](#) [1395199-1](#) [1395200-1](#) [1395202-1](#) [DMVF050WE-300S6](#) [D-SCE-1K-2.4-50-4-CS7834](#) [1538738-1](#)  
[E90935-000](#) [EC1238-000](#) [EC1465-000](#) [EC1855-000](#) [EC1859-000](#) [EC1863-000](#) [EC5415-000](#) [EC7277-000](#) [EC7352-000](#) [EC7603-000](#)  
[EC7707-000](#) [EC7735-000](#) [EC7768-000](#) [EC7828-000](#) [EC7854-000](#) [EC7952-000](#) [EC8128-000](#) [1768037-8](#) [1768041-7](#) [NC-127191-10-9](#)  
[HS048WE2NF038B](#) [C03232-000](#) [HTCM-SCE-14-4H-9](#) [HTMS-3/16-9](#) [HT-SCE-1/4-2.0-4](#) [HT-SCE-3/16-2.0-4](#) [HTTMS-1/2-1.50-9](#) [HTTMS-](#)  
[CM-1/2-4H-9](#) [HX-SCE-19.0-50-9](#) [HX-SCE-6.4-50-4](#) [C25254-000](#)