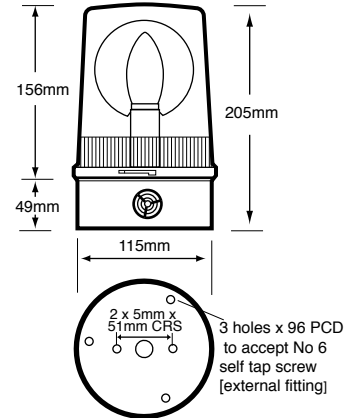


# Visual Signals ROTATING

## BEACONS



## Industrial Rotating Beacons > RA201/200 Series

### Product overview

The RA201/200 Series uses a parabolic reflector which, driven by an electric motor, revolves around a continuously illuminated lamp on the vertical axis of the beacon creating a powerful beam of light travelling

through 360 degrees. Generally, this type of beacon has a greater degree of light output than other models but this is off-set by the fact that the parabolic reflector only illuminates one given point at a time. The RA series also incorporates a Piezo Buzzer producing 85db, giving the user the peace of mind of two signals in one unit.

### Features

- Continuously rated
- Suitable for use with conduit BESA box
- Suitable for surface or wall mounting
- Optional wall bracket & protective guard available – see accessory page
- Two signals in one unit
- Twin belt drive system
- IP65

### Material

- UV Stable Polycarbonate Lens
- UV Stable ABS Mounting Base

Code No:	Voltage:	Light Source:	Current:
RA201-20	12v Dc ---	H1 x 55w	4.70 A
RA201-21	24v Dc ---	H1 x 70w	3.00 A
RA201-64	48v Dc ---	Ba15d x 35w	0.55 A
RA200-03	24v Ac ~	Ba15d x 48w	2.00 A
RA200-02	48v Ac ~	Ba15d x 35w	0.55 A
RA200-24	115v Ac ~	Ba15d x 60w	0.55 A
RA200-25	230v Ac ~	Ba15d x 60w	0.29 A



**Kg** 0.86

**50 Hz**

**°C** -10+55

**IP** 65

**RPM** 160±30 DC

**RPM** 120 AC



ADD THE FOLLOWING LENS CODES TO THE PRODUCT CODE WHEN ORDERING

**01** **02** **03** **04** **05**

**INDUSTRIAL**

**dB** 85

## X-ON Electronics

Largest Supplier of Electrical and Electronic Components

*Click to view similar products for [moflash signalling manufacturer](#):*

Other Similar products are found below :

[FF200-87](#) [AP360M](#) [LED100-01-01](#) [LED100-01-02](#) [LEDA100-01-04](#) [LEDD100-01-02](#) [LEDD100-01-04](#) [LEDD100-02-01](#) [LEDD100-02-02](#)  
[LEDS100-02-04](#) [LEDS100-05-04](#) [FF400-87](#) [LED80-04-04](#) [LEDA100-02-04](#) [AE20M-115FA](#) [AE30M-FT-01](#) [A8BM-24DC](#) [LEDD100-02-04](#)  
[LEDS100-02-02](#) [50067](#) [LED80-04-03](#) [LEDD100-05-04](#) [LEDS100-01-04](#) [X195-02WH-01](#) [LEDA100-03-01](#) [RA200-25](#) [AE36M-02](#)  
[LED80-04-02](#) [LEDA100-02-01](#) [FF201-85](#) [X195-02WH-02](#) [A6BM-24DC](#) [LED100-02-04](#) [LED100-05-02](#) [LED100-05-04](#) [LEDA100-01-02](#)  
[LEDD100-05-01](#) [LED80-02-04](#) [LEDD100-05-02](#) [X401-18](#) [LEDS100-02-01](#) [X80-04-01](#) [LED80-02-03](#) [50018](#) [LEDA100-05-02](#)  
[LED100-02-01](#) [LED100-05-01](#) [LEDA100-02-02](#) [LEDS100-05-01](#) [50088FA](#)