



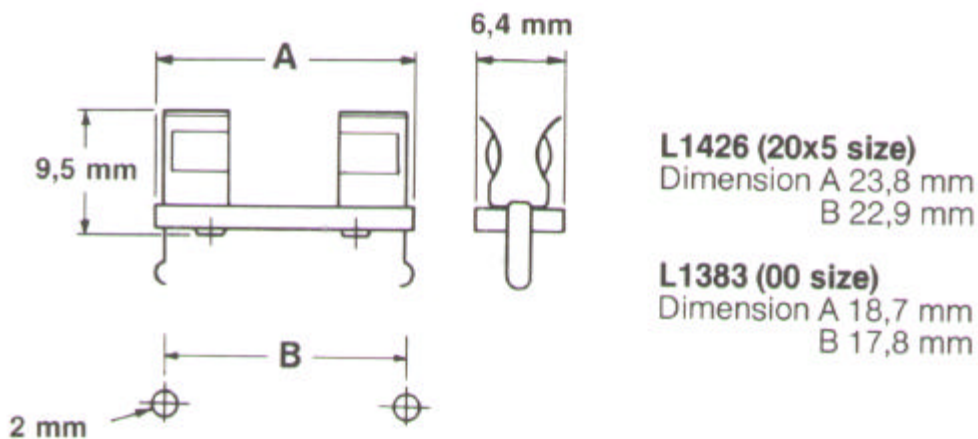
**L1426 (FOR 20 x 5 mm FUSELINKS)  
L1383 (FOR SIZE 00 FUSELINKS)  
OPEN FUSEHOLDER, PRINTED CIRCUIT MOUNTING**



These fuseholders are mounted by means of their terminals which are shaped to secure them on the printed circuit board whilst awaiting the soldering operation. The contacts are formed in Beryllium copper which ensures adequate contact pressure after repeated use.

<b>CURRENT RATING:</b>	<b>2A (temperature rise to 40 C)</b>
<b>TEMPERATURE RANGE:</b>	<b>90 C (ambient)</b>
<b>BREAKDOWN VOLTAGE:</b>	<b>&gt;3kV</b>
<b>INSERTION RESISTANCE (MAXIMUM):</b>	<b>&lt;4 milliohms</b>
<b>INSULATION RESISTANCE:</b>	<b>100 megohms</b>
<b>HUMIDITY:</b>	<b>Dry conditions only</b>
<b>PANEL THICKNESS (MAXIMUM):</b>	<b>1.6mm</b>
<b>WEIGHTS:</b>	<b>L1426: 1.02g L1383: 0.9g</b>
<b>MATERIAL:</b>	<b>Insulant: S.R.B.P. Contacts: Beryllium copper, silver plated</b>

**ORDERING REFERENCE: (20x5 size): L1426  
(00 size): L1383**



BLP reserve the right to change without prior notice the information contained within this leaflet

BLP Components Ltd., Exning Road, Newmarket, Suffolk, CB8 0AX, England  
Tel: +44 (0)1638 665161 Fax: +44 (0)1638 660718 email: [sales@blpcomp.com](mailto:sales@blpcomp.com) <http://www.blpcomp.com>

## X-ON Electronics

Largest Supplier of Electrical and Electronic Components

*Click to view similar products for [belling lee manufacturer](#):*

Other Similar products are found below :

[123984R](#) [003846CM](#) [124104AM](#) [L1744A](#) [L2006A](#) [124054X](#) [124064G](#) [REF-H](#) [L2143/6/L](#) [L1349/FP](#) [L1350/NI](#) [L1904C/8/CS](#) [L1790A](#)  
[L693/3](#) [L754/2](#) [003722EM](#) [124102EM](#) [L1792A](#) [REF-02](#) [SF2032-6/01](#) [L1317/BLACK](#) [L1382/H](#) [L2225](#) [L1318/BLACK](#) [L309/1/RED](#)  
[L1904C/6/CS](#) [L1904A/6/FP](#) [Y9236](#) [L1904A/8/FS](#) [L1904A/8/FP](#) [L1904C/7/PCR](#) [L2224](#) [L1904C/4/CS](#) [L2180](#) [L1568/1/RED](#) [L1639B/NI](#)  
[REF-06](#) [REF-11](#) [REF-F](#) [L1001/1/BLACK](#) [L1436A/P](#) [L1436B/S](#) [L1465/RPCS](#) [L1793A](#) [L1850/1/GREEN](#) [L1850/1/RED](#) [L1896A/GREEN](#)  
[L1896A/RED](#) [L1904A/5A/FP](#) [L1904A/5/FP](#)