

Filters

318-103

L2131C/* 6 A rating
L2133C/* 2 A rating
L2136C/* 1 A rating

3-pole filtered appliance
inlet with end terminations

**Approved: SEMKO, VDE, SEV
UL recognition**

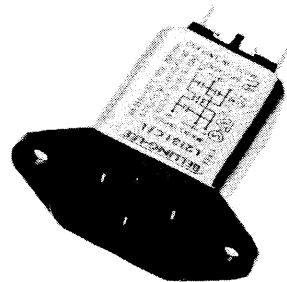
These filtered inlets are made to the highest standards complying with the safety and operational requirements of most approval authorities.

Widely used to protect business machines, computer peripherals and

electronic test instruments against mains borne transients.

These filters comply with BS613. The mating face is in accordance with CEE 22 (IEC 320) standard sheet VI and accepts connectors to sheet V (L1920 etc).

Metal case provides excellent screening.



Ordering reference: _____ **L2131C/L or L2131C/S**
L2133C/L or L2133C/S
L2136C/L or L2136C/L

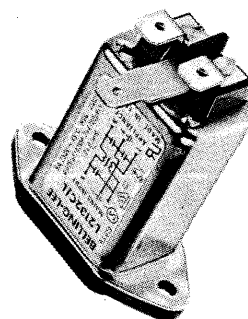
L2132C/L 6 A rating
L2134C/L 2 A rating
L2137C/L 1 A rating

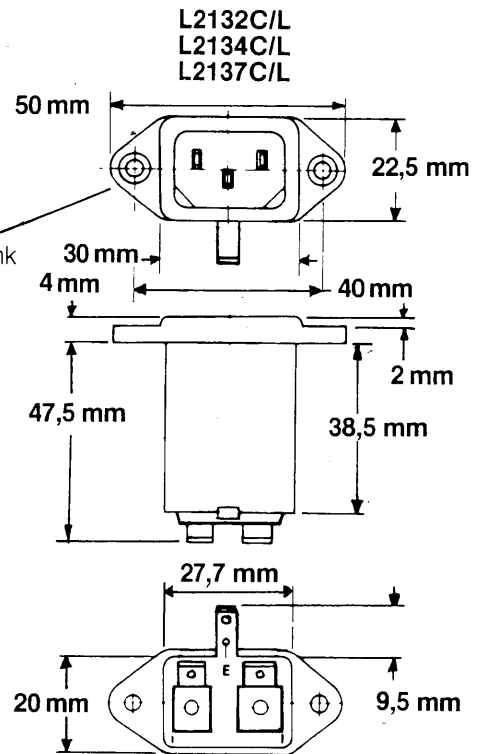
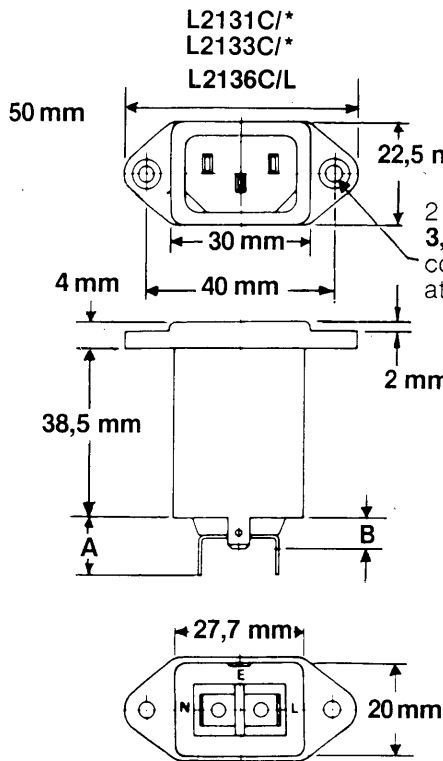
As above but with connections set at 90°. Available in large tag size only.

Ordering reference: _____ **L2132C/L**
L2134C/L
L2137C/L

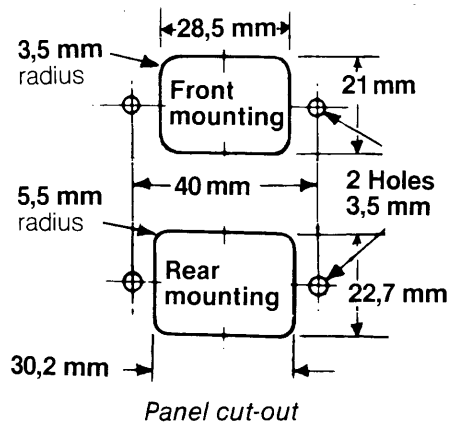
Electrical specification

Current rating: _____ 1,2 or 6 A
Frequency: _____ 0-400 Hz
Operating voltage: _____ 250 V (max.)
Temperature range: _____ -25 °C to + 70 °C
Voltage drop per line at rated current: _____ <1 V
Earth leakage current: _____ <0,75 mA at 250 V 50 Hz according to IEC 348
Capacitor: _____ 4700 pF per line to earth (Class Y)
0,015 µf between lines (Class X)
Inductance: _____ 1 A: 11 mH
2 A: 3 mH
6 A: 700 µH
Terminations: _____ * Suffix L accepts 6,3 mm × 0,81 mm quick connect or solder
* Suffix S accepts 4,75 mm × 0,51 mm quick connect or solder



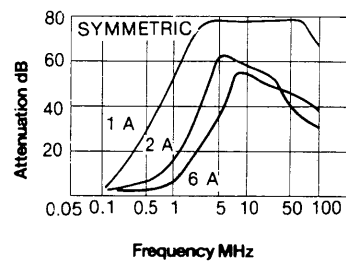
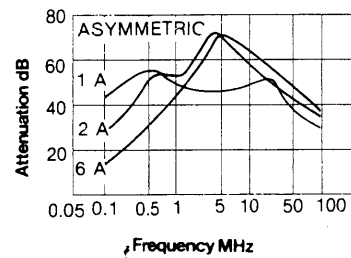


	A	B
L2131C/L L2133C/L	16 mm	11 mm
L2131C/S L2133C/S	13 mm	8,3 mm



All are suitable for front or rear panel mounting.

Typical performance when measured to B.S. 613—1977



X-ON Electronics

Largest Supplier of Electrical and Electronic Components

Click to view similar products for [belling lee manufacturer](#):

Other Similar products are found below :

[123984R](#) [003846CM](#) [124104AM](#) [L1744A](#) [L2006A](#) [124054X](#) [124064G](#) [REF-H](#) [L2143/6/L](#) [L1349/FP](#) [L1350/NI](#) [L1904C/8/CS](#) [L1790A](#)
[L693/3](#) [L754/2](#) [003722EM](#) [124102EM](#) [L1792A](#) [REF-02](#) [SF2032-6/01](#) [L1317/BLACK](#) [L1382/H](#) [L2225](#) [L1318/BLACK](#) [L309/1/RED](#)
[L1904C/6/CS](#) [L1904A/6/FP](#) [Y9236](#) [L1904A/8/FS](#) [L1904A/8/FP](#) [L1904C/7/PCR](#) [L2224](#) [L1904C/4/CS](#) [L2180](#) [L1568/1/RED](#) [L1639B/NI](#)
[REF-06](#) [REF-11](#) [REF-F](#) [L1001/1/BLACK](#) [L1436A/P](#) [L1436B/S](#) [L1465/RPCS](#) [L1793A](#) [L1850/1/GREEN](#) [L1850/1/RED](#) [L1896A/GREEN](#)
[L1896A/RED](#) [L1904A/5A/FP](#) [L1904A/5/FP](#)