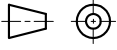
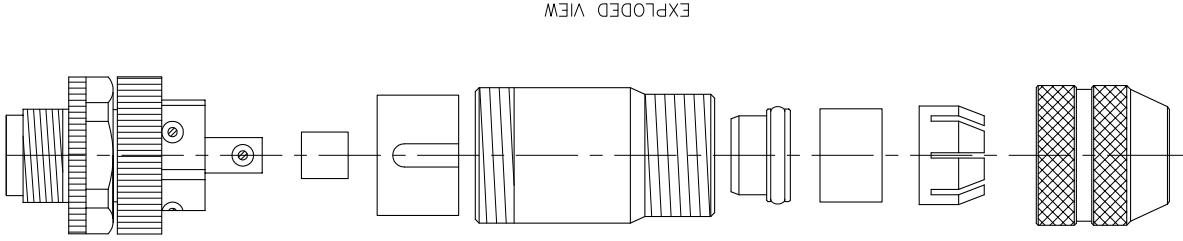
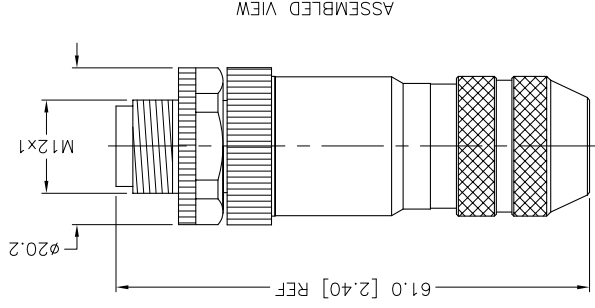
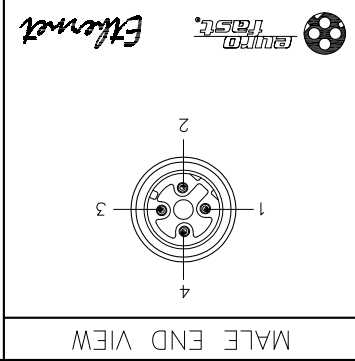


REV	DESCRIPTION	BY	DATE	ECONO.
P1		RDS	01/03/11	
<p>1. ALL METAL SHIELDED FIELD WIREABLE CONNECTOR.</p>				
<p>NOTES:</p>				
<p>RELATED DOCUMENTS</p>				
<p>NOTE</p> <p>1. PRELIMINARY SPECIFICATIONS</p> <p>2. 3. 4.</p>				
<p>3RD ANGLE PROJECTION</p> 				
<p>THIS DRAWING IS PROPERTY OF TURCK INC. USE OF THIS DOCUMENT WITHOUT WRITTEN PERMISSION IS PROHIBITED.</p>				
<p>DESCRIPTION</p> <p>TURCK INC</p> <p>High Technology Sensors and Automation Controls</p> <p>3000 CAMPUS DRIVE MINNEAPOLIS, MN 55441 1-800-544-7769 (763) 553-7300 (763) 553-0708 fax turck.com</p>				
<p>DATE 01/03/11</p>		<p>DRAFT RDS</p>		<p>ALL DIMENSIONS DISPLAYED ON THIS DRAWING ARE FOR REFERENCE ONLY</p>
<p>SCALE 1=1.0</p>		<p>DSGN</p>		<p>CONTACT TURCK FOR MORE INFORMATION</p>
<p>UNIT OF MEASUREMENT</p>		<p>MILLIMETER [INCH]</p>		<p>SEE SPECIFICATIONS</p>
<p>IDENTIFICATION NO.</p>		<p>U2-18483</p>		<p>SEE SPECIFICATIONS</p>
<p>REV</p>		<p>P1</p>		<p>SEE SPECIFICATIONS</p>
<p>FILE: U2-18483</p>		<p>DO NOT SCALE THIS DRAWING</p>		<p>SHEET 1 OF 1</p>

SOURCE DRAWING - FOR REFERENCE ONLY



SPECIFICATIONS	
CONTACT MATERIAL/PLATING	BRASS/GOLD
HOUSING MATERIAL/PLATING	BRASS/NICKEL
RATED CURRENT [A]	4.0 A
RATED VOLTAGE [V]	250 V
MAXIMUM WIRE SIZE	20 AWG
CABLE GRIP RANGE	4-6mm
TEMPERATURE RATING	-40°C to +85°C (-40°F to +185°F)
PROTECTION CLASS	IEC IP67
WIRE TERMINATION	SCREW TERMINAL



X-ON Electronics

Largest Supplier of Electrical and Electronic Components

Click to view similar products for [turck](#) manufacturer:

Other Similar products are found below :

[NI12U-M18-AN4X](#) [B 5143-0](#) [BMWS 8151-0/9](#) [BI30U-CK40-AP6X2-H1141](#) [NI12U-M18-AP6X-H1141](#) [NI4U-EG08-AN6X-H1341](#) [BS 4151-0/9](#) [NI5-G12-AP6X-H1141](#) [NI14-G18-ADZ30X2](#) [FEN20-4DIP-4DXP-DIN](#) [BC10-QF5.5-RN6X2](#) [PKG 3M-4/S90](#) [FCS-N1/2A4P-AP8X-H1141](#) [FKFD 4.5](#) [NI3-EG08K-Y1-H1341](#) [RI360P0-QR24M0-INCRX2-H1181](#) [BCF5-S18-RP4X/S90](#) [BI5-M18-Y0X-H1141](#) [NI5-M12-Y1X-H1141](#) [NI35U-CK40-ADZ30X2-B3131 W/BS4](#) [WK 4T-2](#) [IM1-22EX-T](#) [RK 4T-10](#) [BI 2-EG08K-AP6X-V1131](#) [BI1.5-EG08-AP6X-H1341](#) [BC 5-Q08-AP6X2-V1131](#) [BC5-S18-Y1X](#) [CT 2-A30/M](#) [FDN20-4S-4XSG-E](#) [FKV-CC](#) [FSFD 8](#) [CMBS 8141-0](#) [BI10-M30-AN6X-H1141](#) [CMB 8151-0](#) [WK 4.5T-2/S618](#) [FKFD 8](#) [C10-T13X/024VDC](#) [NI4U-EG08-RP6X-V1131](#) [PKW 3M-6](#) [BI8U-M18-AP6X-H1141](#) [FS 4.5-0.5/14.5/NPT](#) [NI30U-M30-AP6X](#) [BS 5141-0](#) [BS 8141-0/LABEL*](#) [RS 4.5T-2](#) [RK 4T-6](#) [BI2-G12-AN6X-H1141](#) [RK 4.5T-6](#) [FSV 4.4-0.5](#) [PKG 3M-1-PSG 3](#)