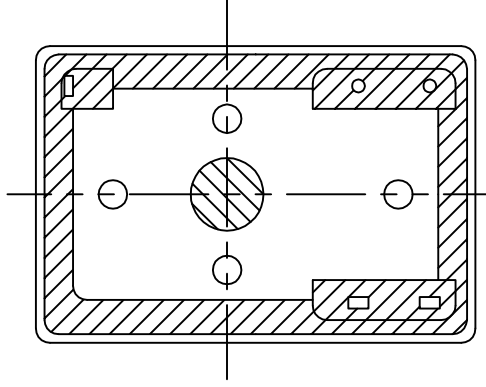
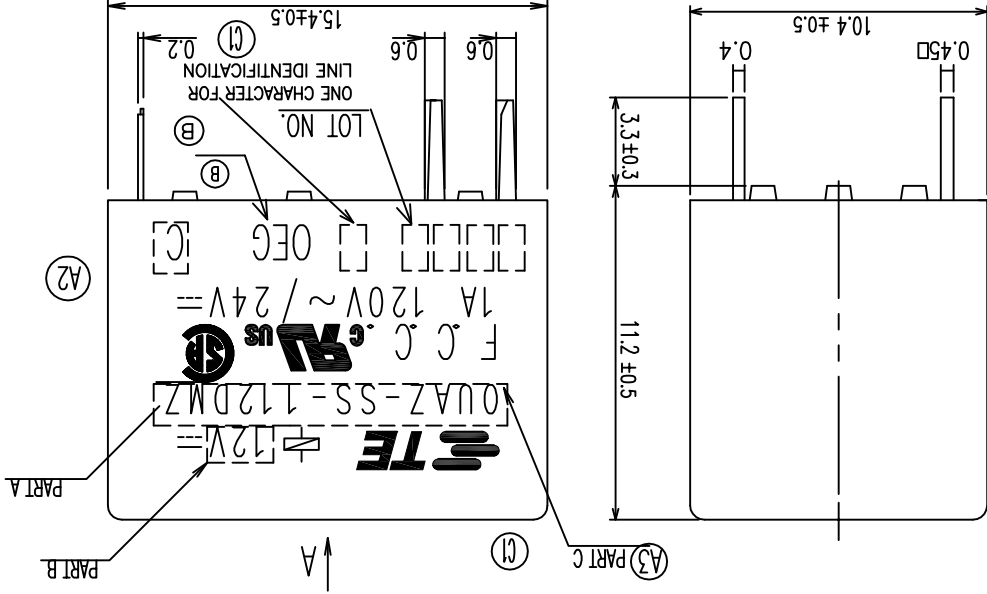


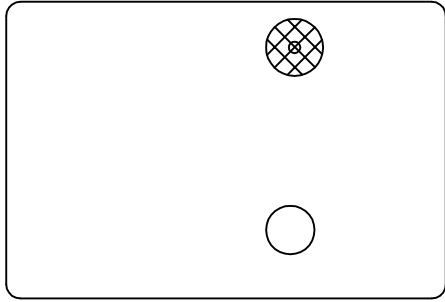
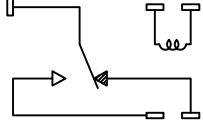
LOC HB
DIST

REVISIONS	DESCRIPTION	DATE	DWN	APVD
P	1. CHANGE TE LOGO 2. ADD LINE IDENTIFICATION 3. PN OBSOLETE 4. TERMINALS TOLERANCE CLARIFICATION	04-MAY-12	S.P	BHY
C1	ECO-11-018616	04-MAY-12	S.P	BHY

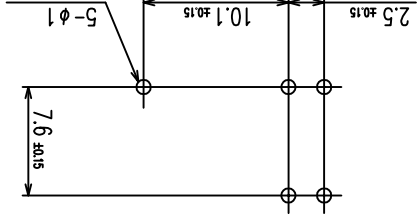
REVISIONS



WIRING DIAGRAM



A VIEW



PCB LAYOUT (GENERAL TOLERANCE±0.15)

- ⑧ NOTES:
1. LOT NO. SYSTEM AS FOLLOWING:

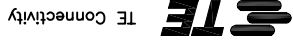
YEAR	WEEK
□□	□□
 2. TERMINAL DIMENSIONS BEFORE SOLDER DIP
 3. FOR THE TIN-PLATING OF THE PINS:

+0.1mm FOR WIDTH, THICKNESS AND DIAMETER
+0.5mm FOR LENGTH

Diagram Dimension	Tolerance
0.99mm,max	±0.1mm
1-2.99mm	±0.2mm
3mm min	±0.3mm

GENERAL TOLERANCE:

DWN	Steven Zhou	CHK	Bonghua Yu	APVD	Sunny Zhang	NAME	OUAZ D/L STANDARD CUSTOMER DRAWING
FINISH	—	MATERIAL	—	WEIGHT	A3	SIZE	00779
0 PLG	±	1 PLG	±	APPLICATION SPEC	—	CAGE CODE	1461015
1 PLG	±	2 PLG	±	PRODUCT SPEC	—	DRAWING NO	—
2 PLG	±	3 PLG	±	SEE RELAY TYPE	—	SCALE	5:1
3 PLG	±	4 PLG	±	SEE RELAY TYPE	—	SHEET	1 OF 2
4 PLG	±	ANGLES	—	—	—	REV	C1
TOLERANCE UNLESS OTHERWISE SPECIFIED:	—	—	—	—	—	RESTRICTED TO	—
CUSTOMER DRAWING							



TE Connectivity

LOC	HB	DIST
-----	----	------

REV	DATE	DESCRIPTION	BY	CHK	APPV
1					

A3

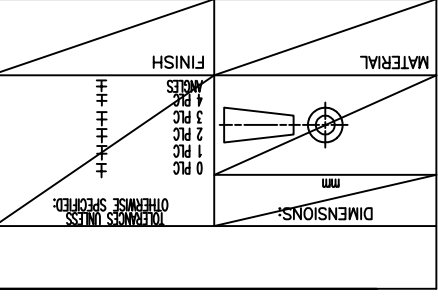
STATUS	MARKING	PART NO	DESCRIPTION	PART B	PART A	TYPE
ACTIVE	NONE	1461015-6	QUAZ-SH-118L	18V	QUAZ-SH-118L	X
ACTIVE	MARKING	4-1419145-8	QUAZ-SH-124L	24V	QUAZ-SH-124L	W
ACTIVE	MARKING	6-1419130-5	QUAZ-SH-112L	12V	QUAZ-SH-112L	V
OBSOLETE	MARKING	4-1419145-6	QUAZ-SH-109L	9V	QUAZ-SH-109L	U
ACTIVE	MARKING	4-1419145-3	QUAZ-SH-106L	6V	QUAZ-SH-106L	T
ACTIVE	MARKING	4-1419145-0	QUAZ-SH-105L	5V	QUAZ-SH-105L	S
ACTIVE	MARKING	4-1419130-0	QUAZ-SH-103L	3V	QUAZ-SH-103L	R
ACTIVE	MARKING	1461015-4	QUAZ-SH-124D	24V	QUAZ-SH-124D	Q
ACTIVE	MARKING	5-1419130-6	QUAZ-SH-112D	12V	QUAZ-SH-112D	P
OBSOLETE	MARKING	1461015-3	QUAZ-SH-109D	9V	QUAZ-SH-109D	O
OBSOLETE	MARKING	1461015-2	QUAZ-SH-106D	6V	QUAZ-SH-106D	N
ACTIVE	MARKING	3-1419145-9	QUAZ-SH-105D	5V	QUAZ-SH-105D	M
OBSOLETE	MARKING	1461015-5	QUAZ-SH-103D	3V	QUAZ-SH-103D	L
ACTIVE	MARKING	1-1419131-1	QUAZ-SS-124L	24V	QUAZ-SS-124L	K
ACTIVE	MARKING	1419131-5	QUAZ-SS-112L	12V	QUAZ-SS-112L	J
ACTIVE	MARKING	9-1419130-8	QUAZ-SS-109L	9V	QUAZ-SS-109L	I
ACTIVE	MARKING	5-1419145-4	QUAZ-SS-106L	6V	QUAZ-SS-106L	H
ACTIVE	MARKING	8-1419130-6	QUAZ-SS-105L	5V	QUAZ-SS-105L	G
OBSOLETE	MARKING	1461015-1	QUAZ-SS-124D	24V	QUAZ-SS-124D	F
ACTIVE	MARKING	5-1419145-7	QUAZ-SS-112D	12V	QUAZ-SS-112D	E
ACTIVE	MARKING	9-1419130-3	QUAZ-SS-109D	9V	QUAZ-SS-109D	D
ACTIVE	MARKING	5-1419145-2	QUAZ-SS-106D	6V	QUAZ-SS-106D	C
ACTIVE	MARKING	8-1419130-3	QUAZ-SS-105D	5V	QUAZ-SS-105D	B
OBSOLETE	MARKING	5-1419145-0	QUAZ-SS-103D	3V	QUAZ-SS-103D	A

RELAY TYPE

Ⓢ

ITEM	DESCRIPTION	MATERIAL
1	BOBBIN	PBT
2	COIL TERMINAL	C.P WIRE
3	YOK	STEEL
4	CORE	STEEL
5	ARMATURE	STEEL
6	M TERMINAL	Cu ALLOY
7	B TERMINAL	Cu ALLOY
8	MOVABLE SPRING	Cu ALLOY
9	CASE	PBT
10	MAGNETIC WIRE	POLYURETHANE COPPER WIRE
11	SEAL:221ZE	EPOXY RESIN
12	UV SEAL:3056C(VENT HOLE)	UV RESIN

DWN		CHK		NAME		TE Connectivity	
APVD		PRODUCT SPEC		QUAZ D/L STANDARD CUSTOMER DRAWING		RESTRICTED TO	
APPLICATION SPEC		SIZE		CAGE CODE		DRAWING NO	
WEIGHT		A3		00779		1461015	
FINISH		SCALE		SHEET		2 OF 2	
MATERIAL		CUSTOMER DRAWING		REV		C1	



0 PLS
1 PLS
2 PLS
3 PLS
4 PLS
ANGLES

TOLERANCES UNLESS OTHERWISE SPECIFIED:

X-ON Electronics

Largest Supplier of Electrical and Electronic Components

Click to view similar products for [General Purpose Relays](#) category:

Click to view products by [TE Connectivity](#) manufacturer:

Other Similar products are found below :

[APF30318](#) [JVN1AF-4.5V-F](#) [PCN-105D3MHZ](#) [5JO-10000S-SIL](#) [5JO-1000CD-SIL](#) [5JO-400CD-SIL](#) [LY2S-AC220/240](#) [LYQ20DC12](#)
[6031007G](#) [6131406HQ](#) [6-1393099-3](#) [6-1393099-8](#) [6-1393122-4](#) [6-1393123-2](#) [6-1393767-1](#) [6-1393843-7](#) [6-1415012-1](#) [6-1419102-2](#) [6-](#)
[1423698-4](#) [6-1608051-6](#) [6-1608067-0](#) [6-1616170-6](#) [6-1616248-2](#) [6-1616282-3](#) [6-1616348-2](#) [6-1616350-1](#) [6-1616350-8](#) [6-1616358-7](#) [6-](#)
[1616359-9](#) [6-1616360-9](#) [6-1616931-6](#) [6-1617039-1](#) [6-1617052-1](#) [6-1617090-2](#) [6-1617090-5](#) [6-1617347-5](#) [6-1617353-3](#) [6-1617801-8](#) [6-](#)
[1617802-2](#) [6-1618107-9](#) [6-1618248-4](#) [M83536/1-027M](#) [CX-4014](#) [MAHC-5494](#) [MAVCD-5419-6](#) [703XCX-120A](#) [7-1393100-5](#) [7-1393111-7](#)
[7-1393144-5](#) [7-1393767-8](#)