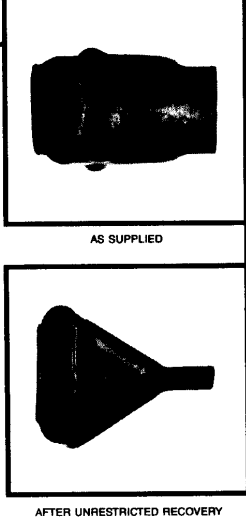
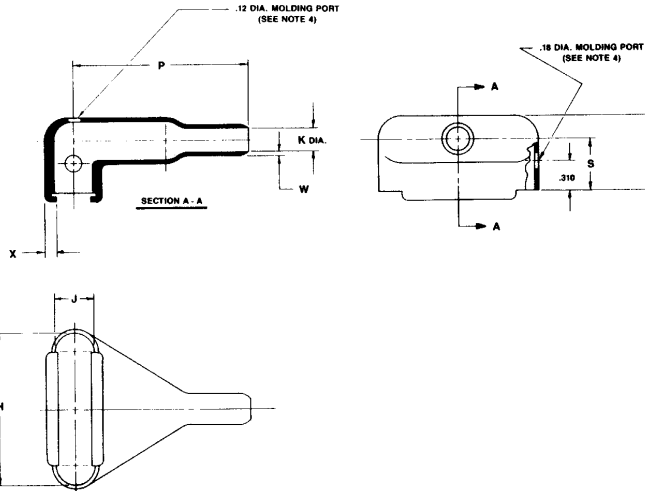


THERMOFIT • SPECIFICATION CONTROL DRAWING • MOLDED PARTS

NOTES

- All dimensions are in inches.
- Dimensions appearing in table are as follows:
a - AS SUPPLIED b - AFTER UNRESTRICTED RECOVERY
- The following coatings are optional:
S-1017 (/42) adhesive and
S-1048 (/86) adhesive
for -3 or -4 material only
Dimensions appearing in table are for uncoated parts. When coating is added entry diameters will be reduced .06 max.
- Molding ports are optional. When -00 modification number is specified they will be located as shown.
- Weight shown in table of dimensions is based on polyolefin part.



ORDERING INFORMATION

Matl. No.	Description	Raychem RT Spec
-3	Polyolefin, Semi-Rigid	RT-301
-4	Polyolefin, Flexible	RT-1304
-8	Polyolefin, Space	RT-1308
-25	Elastomer, Semi-Rigid	RT-1325

Add material dash number as suffix to part number;
Example 1 - Order 234A711-3 when polyolefin, semi-rigid is required.

Add coating slash number as suffix to material dash number when coating is required.
Example 2 - Order 234A752-X/42 when S-1017 adhesive is required.

Example 3 - Order 234A732-3-00 when molding ports are required.

TABLE OF DIMENSIONS

PART NUMBER	H		J		K		P	R	S	W	X	Weight lbs ±10%	This Boot Fits Cannon
	Min a	±5% b	Min a	±5% b	Min a	Max b	±10% b	±10% b	±10% b	±20% b	±20% b		
234A711	.63	.80	.63	.42	.63	.16	1.10	.73	.50	.04	.12	.0059	DE-9
234A721	.75	1.11	.75	.42	.75	.21	1.38	.74	.50	.04	.12	.0086	DA-15
234A732	1.15	1.66	1.15	.42	1.15	.25	1.87	.79	.56	.04	.12	.0143	DB-25
234A742	1.35	2.31	1.35	.42	1.35	.31	2.35	.79	.56	.04	.12	.0220	DC-37
234A752	1.48	2.28	1.48	.54	1.48	.36	2.49	1.04	.69	.04	.12	.0260	DD-50

Raychem Raychem Corporation 300 Constitution Drive Menlo Park, CA 94025-1164 415) 361 6055	E.O.	REV	DATE	DESCRIPTION	DRN	JC	PART DESCRIPTION BOOT, RECTANGULAR, SUBMINIATURE, 90°, SIDE ENTRY, OVEREXPANDED	PART NO. 234A711 thru 752	REV LTR F
					CHK'D	JSC			
					AUTH	RKG			
					AUTH	DDR			
								DATE: September 3, 1987	

X-ON Electronics

Largest Supplier of Electrical and Electronic Components

Click to view similar products for [Cable Boots](#) category:

Click to view products by [TE Connectivity](#) manufacturer:

Other Similar products are found below :

[618235-000](#) [622A014-3-0](#) [CX4132-000](#) [879103-4](#) [879515-000](#) [889092](#) [982033-2](#) [R280576000](#) [1300830729](#) [MTPSRBCL-C](#) [1811481-1](#)
[200W531-3-0](#) [202A121-386-0](#) [202A142-4-00/42-0](#) [202A163-4-0-CS5067](#) [202B221-13-0](#) [202B231-13-0](#) [202B563-25-07-0](#)
[202C621710CS5361](#) [202D132-4-07/42-0](#) [202D221-4-0-CS5349](#) [202D221-4-26-0](#) [202D263-25-08-0](#) [202D263-4-22/42-0](#) [202D263-4-88-0](#)
[202D921-2542-0](#) [202E336-71-0](#) [202F211-50-22-0-CS8474](#) [202F242-50-05-0](#) [202F242-51-04/164-0](#) [202K121-25-CS-1858-0](#) [202K121-25-](#)
[CS-2062-0](#) [202K132-25-01/225-0CS8387](#) [202K153-3-0186-0](#) [202S132-25-UP-0](#) [203W301-3/42-0](#) [207W613-100/184-0-CS5657](#) [207W623-](#)
[100-01/184-0](#) [207W634-100/184-0-CS5657](#) [207W656-100-01/184-0](#) [207W667-100-01/184-0](#) [207W667-100/184-0](#) [208A011-3-0](#) [208A021-3-](#)
[0](#) [221A011-51164-0-CS7133](#) [222A121-2586](#) [222A152-342-0](#) [222A213-25-0-CS5613](#) [222D221-25-13/86-0](#) [222D232-4-61-0-CS5078](#)