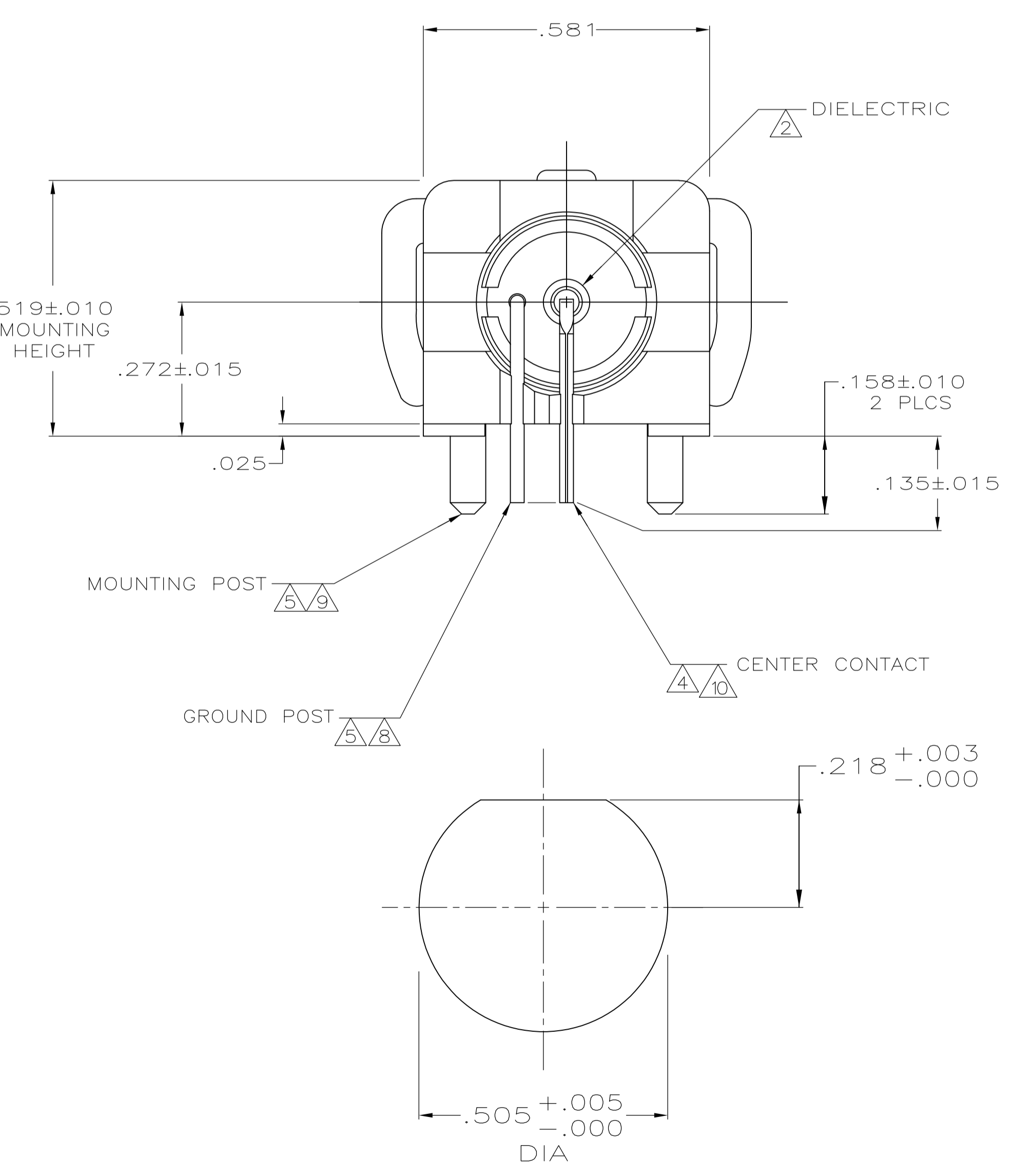
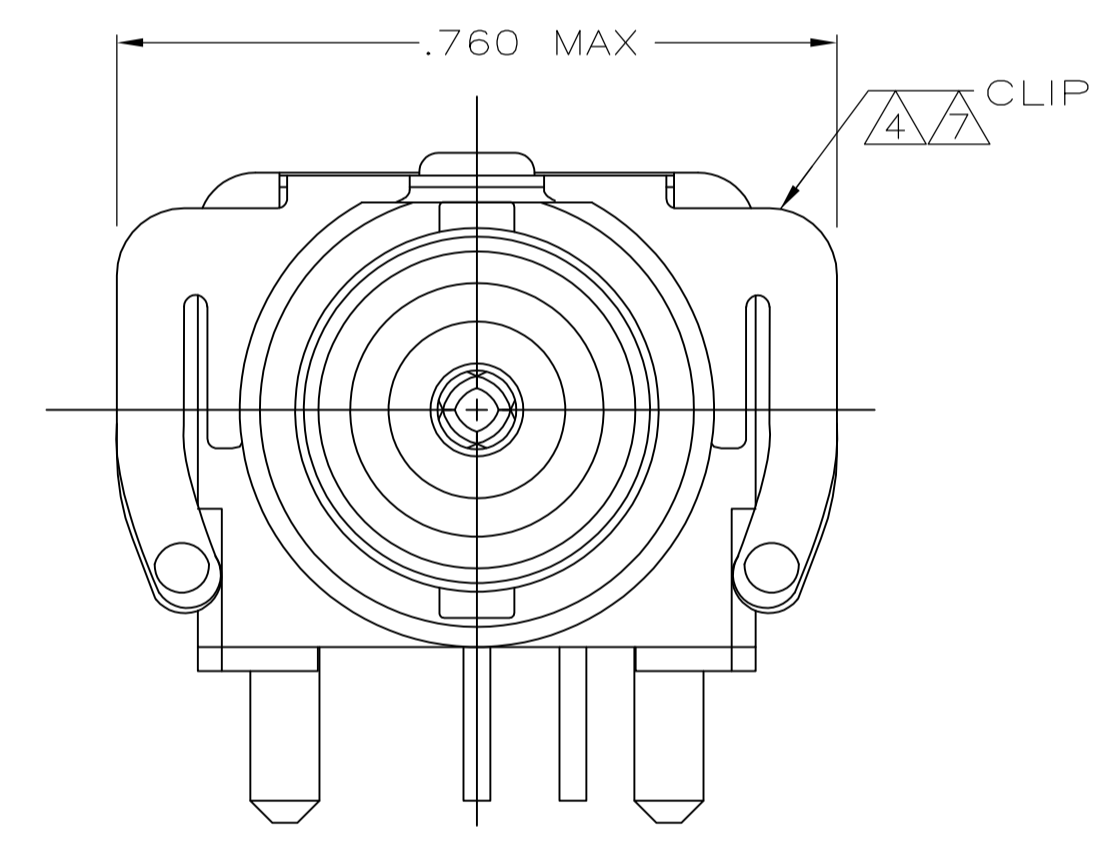
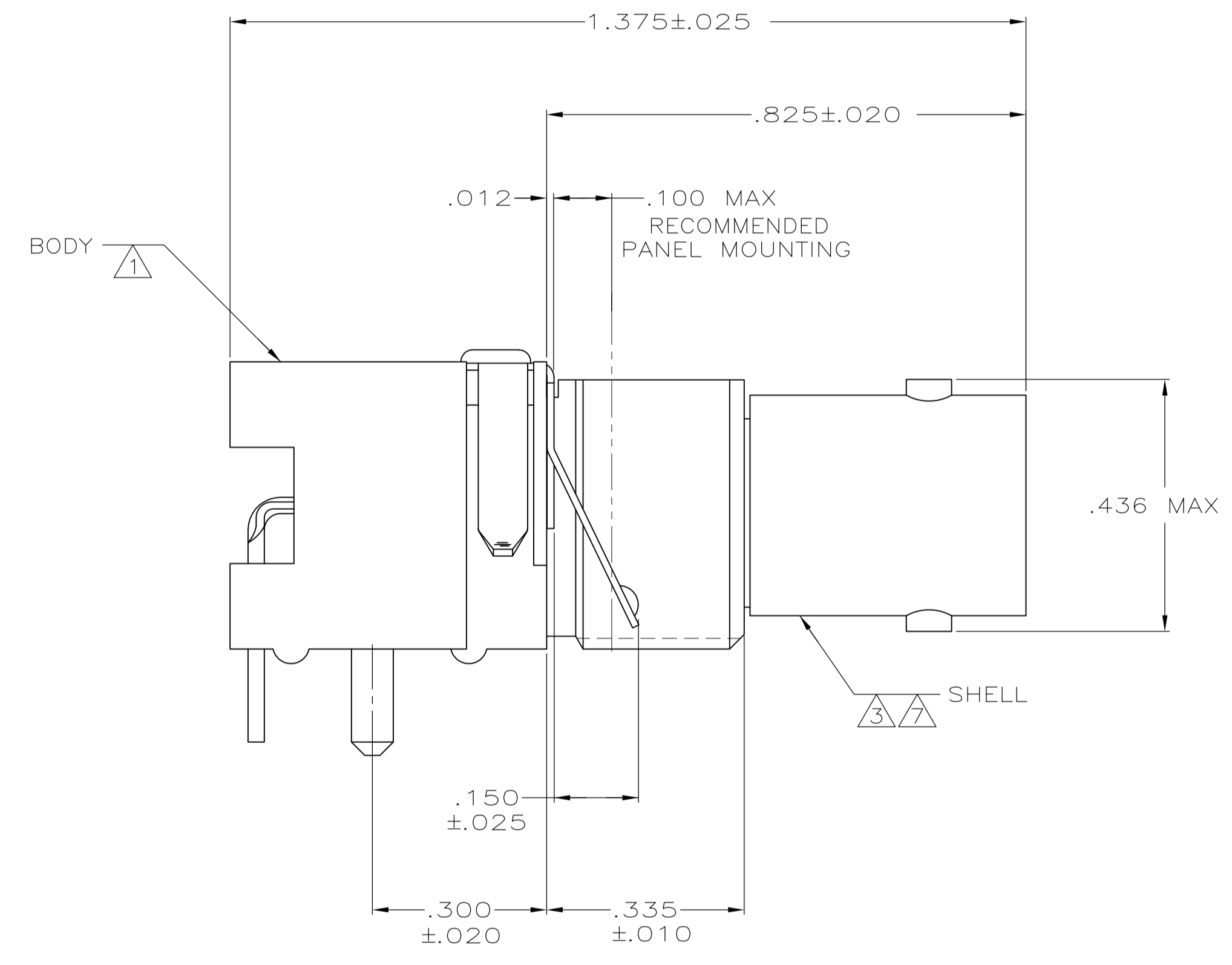
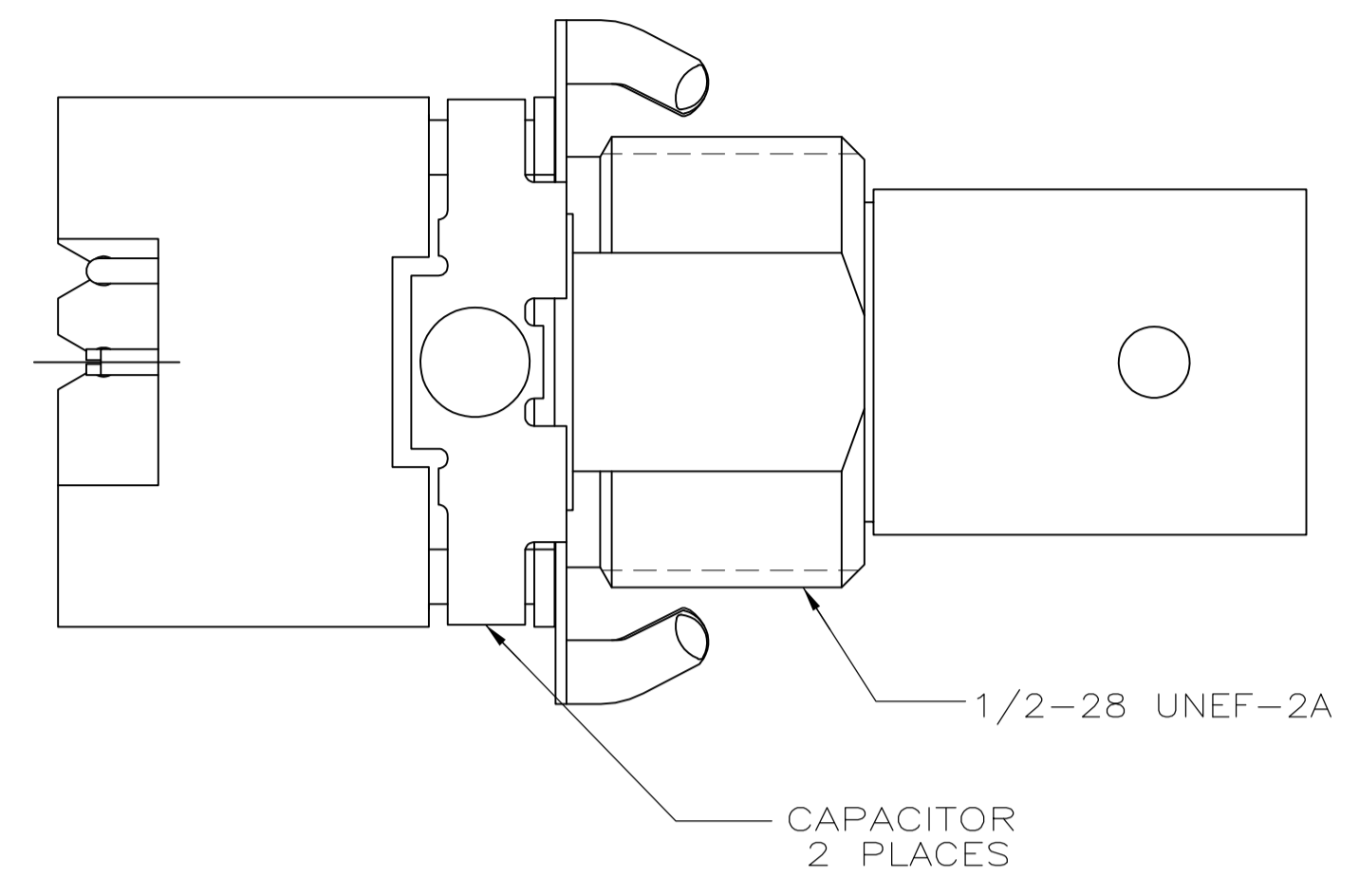


P.C.B. CONFIGURATION
SCALE=10:1



RECOMMENDED
PANEL CUTOUT



- ① POLYESTER,PBT,BLACK,PER MIL-M-24519
- ② POLYMETHYLPENTENE GENERAL PURPOSE
- ③ ZINC PER QQ-Z-363
- ④ PHOSPHOR BRONZE PER QQ-B-750
- ⑤ BRASS PER QQ-B-626
- ⑥ BRASS PER ASTM-B-453
- ⑦ NICKEL PL PER QQ-N-290
- ⑧ TIN PLATE PER ASTM-B-545
- ⑨ TIN PLATE PER ASTM-B-545
- ⑩ SELECTIVELY GOLD PLATED ON INTERFACE AREA PER: MIL-G-45204, .000030 THK,TIN PLATE ON SOLDER TAIL PER: ASTM-B-545, ALL OVER NICKEL PL PER: QQ-N-290

SUPERSEDED BY 414094-2	9400 pf, 1500 VDC	414094-2
	9400 pf, 500 VDC	414094-1
CAPACITANCE & VOLTAGE		PART NUMBER

THIS DRAWING IS A CONTROLLED DOCUMENT.		DIN M. SNEED 2-18-91	Tyco Electronics Corporation Harrisburg, PA 17105-3608	
DIMENSIONS: INCHES		CHK R. HENRY 2-18-91	NAME	
TOLERANCES UNLESS OTHERWISE SPECIFIED:		APVD R. HENRY 2-18-91	PRODUCT SPEC	
0 PLC ± -		108-1269		
1 PLC ± -		APPLICATION SPEC		
2 PLC ± -		SIZE CASE CODE DRAWING NO		
3 PLC ± .008		A1 00779 C=414094		
4 PLC ± -		RESTRICTED TO		
ANGLES ± -		CUSTOMER DRAWING		
MATERIAL THRU	FINISH	WEIGHT	SCALE 5:1	SHEET 1 OF 1 REV K

X-ON Electronics

Largest Supplier of Electrical and Electronic Components

Click to view similar products for [RF Connectors / Coaxial Connectors](#) category:

Click to view products by [TE Connectivity](#) manufacturer:

Other Similar products are found below :

[R125315120](#) [8915-1511-000](#) [89674-0827](#) [5916-1103-603](#) [0106-001-000](#) [6-0001-3](#) [6001-7071-019](#) [6002-7051-003](#) [6002-7551-202](#) [6059674-1](#) [619550-1](#) [630059-000](#) [M39012/25-0021](#) [M39012/79-3008](#) [M39030/3-01N](#) [M39030/3-03N](#) [M3933/25-29N](#) [M3933/25-36N](#) [6500-7071-046](#) [6501-1071-002](#) [M83723/72W24576](#) [M83723/72W2457N](#) [6769](#) [CX050L2AQ](#) [7002-1541-010](#) [7002-1572-002](#) [7003-1572-002](#) [7004-1512-000](#) [7009-1511-004](#) [7010-1511-000](#) [7029-1511-060](#) [7101-1541-010](#) [7101-1571-002](#) [7105-1521-002](#) [7145-1521-002](#) [7209-1511-011](#) [7210-1511-012](#) [7210-1511-015](#) [7210-1511-019](#) [7210-1511-040](#) [7225-1512-050](#) [7242-1511-000](#) [73137-5015](#) [73251-0111](#) [73251-0672](#) [73276-1501](#) [73366-0013](#) [73404-2300](#) [73413-6080](#) [734151610](#)