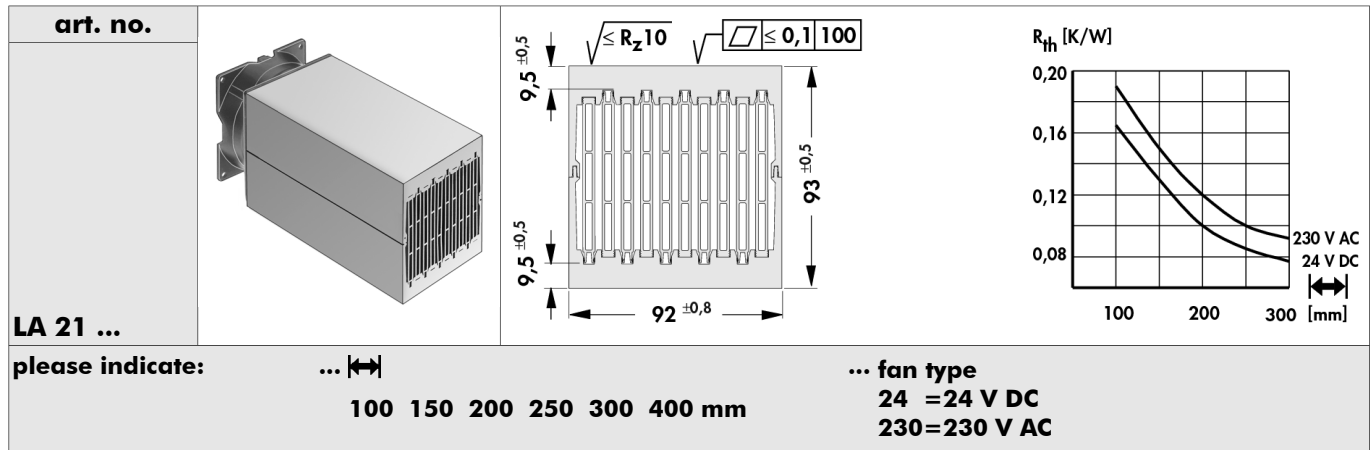


Cooling aggregates with axial fan

Hollow-fin cooling aggregates

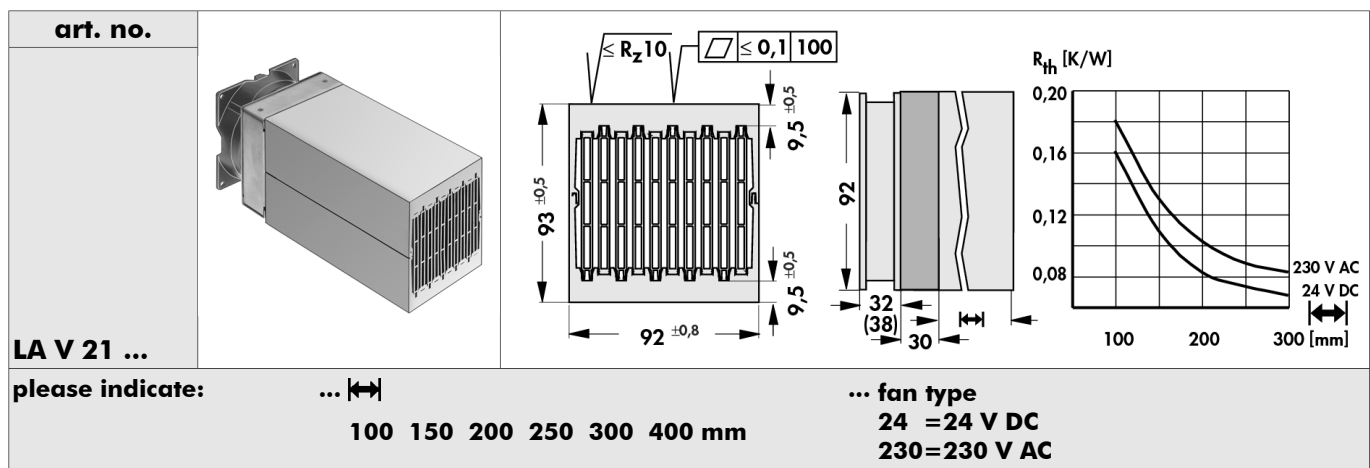
- extremely low losses due to optimised hollow fin geometry
- effective heat dissipation
- compact construction with axial fans
- two opposite mounting surfaces are milled flat

without air flow chamber



specification of the fan motors and additional treatment upon customer's request

with air flow chamber



specification of the fan motors and additional treatment upon customer's request

Technical data of the fans

| | ... 24 | ... 230 |
|--------------------------|------------------------------------|------------------------------------|
| type | Papst, ball bearing | Papst, ball bearing |
| dimensions | 92 x 92 x 32 mm | 92 x 92 x 38 mm |
| voltage | 24 V DC | 230 V AC |
| power input | 2.4 W | 12 W |
| max. air flow | 80 m ³ /h | 75 m ³ /h |
| temperature range | -20 °C ... +75 °C | -40 °C ... +75 °C |
| noise level | 37 dB(A) | 37 dB(A) |
| rated speed | 3,000 min ⁻¹ | 2,700 min ⁻¹ |
| weight | 190 g | 420 g |
| failure rate | L ₁₀ > 70.000 h (40 °C) | L ₁₀ > 52.500 h (40 °C) |

Miniature cooling aggregates
Protection grid for axial fans
Heatsinks for Solid State Relay
High capacity heatsinks

→ D 9 - 10
→ D 30
→ A 12
→ A 54 - 55

Special heatsink design
Hole pattern
Standard aluminium profiles
Technical introduction

→ A 133 - 134
→ A 21
→ A 131 - 132
→ A 2 - 7

X-ON Electronics

Largest Supplier of Electrical and Electronic Components

Click to view similar products for [fisher manufacturer](#):

Other Similar products are found below :

[FR 105 52 220 ME](#) [FR 120 42 200 ME](#) [GEL 28 30](#) [GEL 45 10](#) [GEL 45 50](#) [GEL 60 10](#) [AKG 33 20 80 ME](#) [BL 2 72 Z](#) [ICKSR40X30](#) [LA 17](#)
[150 230](#) [LA 21 150 230](#) [LA 21 150 24](#) [LA 27 K 100 12](#) [LA 27 K 100 24](#) [LA 27 K 150 12](#) [LA 27 K 50 24](#) [SK4615AL](#) [SK 47 250 SA](#)
[SK56920AL](#) [SK57225SA](#) [SK57720AL](#) [SK58420AL](#) [SK58437.5SA](#) [SK 622 1000 AL](#) [SK 622 1000 SA](#) [SK 622 100 AL](#) [SK 623 100 SA](#) [SK](#)
[626 1000 SA](#) [SK 626 50 SA](#) [SK 627 1000 AL](#) [SK 627 200 AL](#) [SK 627 200 SA](#) [SK 627 50 SA](#) [SK 632 100 AL](#) [SK 633 25 AL](#) [SK 636 100](#)
[AL](#) [SK LED R 65 SA](#) [SK LED R 80 SA](#) [AKG 69 24 100 SA](#) [FR 80 42 160 ME](#) [GE K 80 42 100 SA](#) [GEL 45 30](#) [GEL 60 25](#) [GEL F 15 10](#)
[TUF 120 42 220 ME](#) [TUF 55 16 200 SA](#) [BL 3 36 Z](#) [LA 27 K 50 12](#) [LA 27 K 75 24](#) [WAG 200 SA](#)