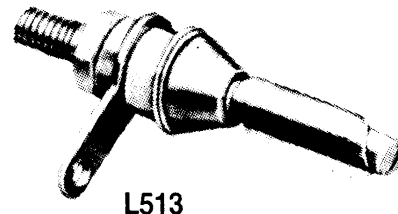


L513/514



L513

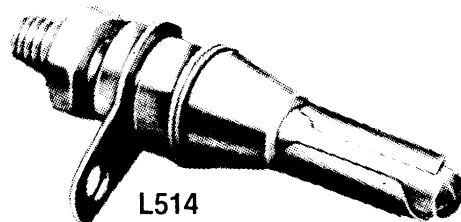
Single pole, uninsulated
3 mm connector,
O-Z contact



L513

L514

Single pole, uninsulated
4 mm connector,
O-Z contact

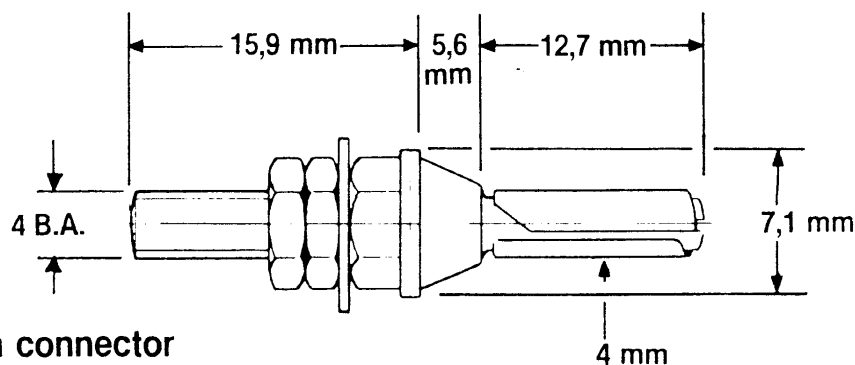
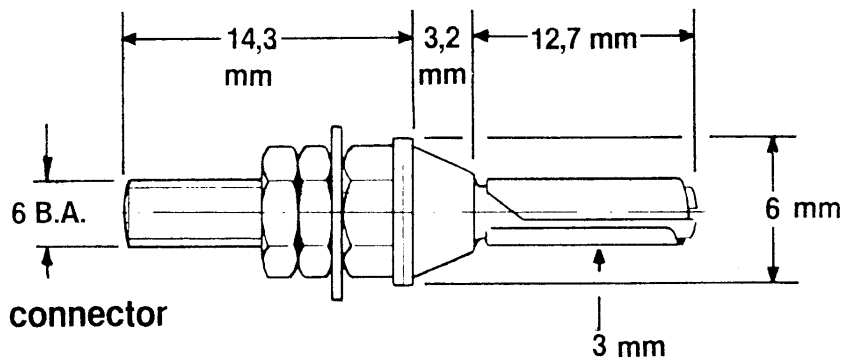


L514

These connectors employ the O-Z leaf spring contact ensuring low contact resistance and high current rating. The O-Z contact also combats faulty contact and ejection under vibration.

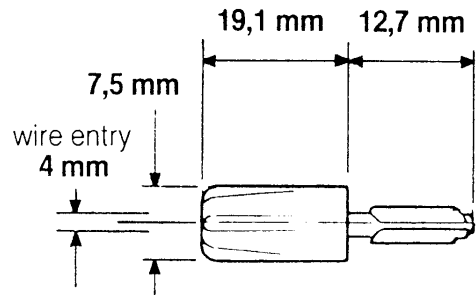
| | |
|--------------------|--------------------------|
| Current rating: | 10 A |
| Weights (average): | L513 2,75g L514 5,5 g |

| | | |
|---------------------|------|------|
| Ordering reference: | L513 | L514 |
|---------------------|------|------|



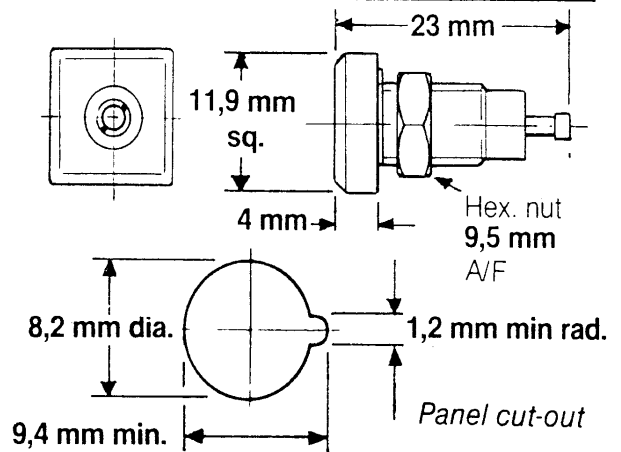
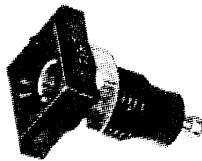
Connectors - single pole

L1716A Crimp or solder connection



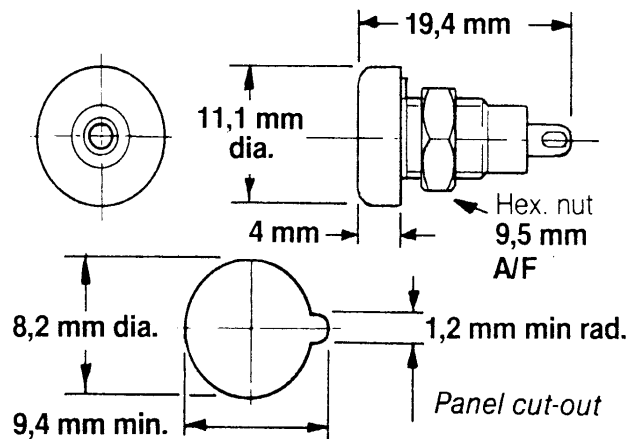
Ordering reference: L1716A/Colour

L1318 Fixed connector,
square face



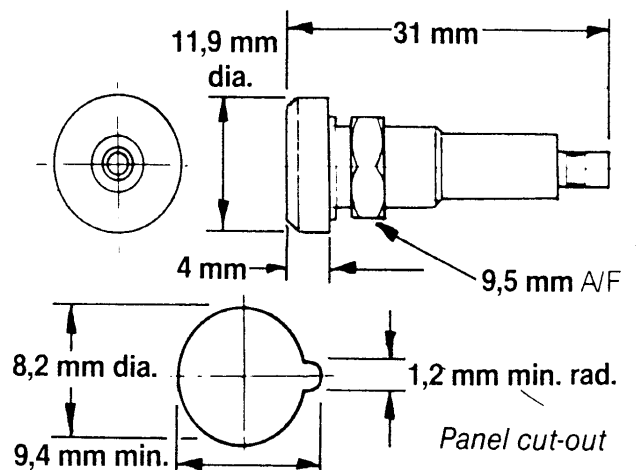
Ordering reference: L1318/Colour

L1413 Fixed connector,
round face



Ordering reference: L1413/Colour

E6013 Fixed connector,
round face, for 20mm
long mating contact



Ordering reference: E6013/Colour



Single pole connectors—4 mm

O-Z Contacts

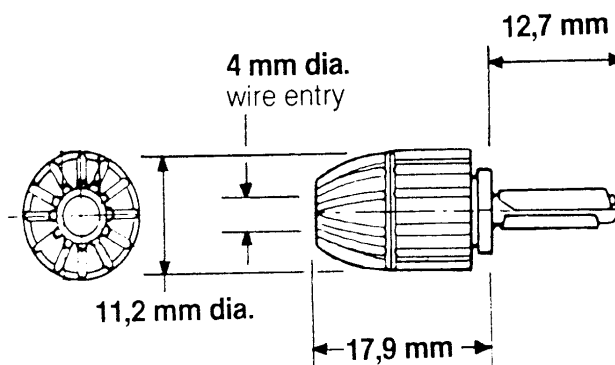
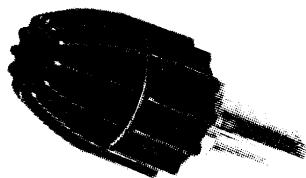
These items employ the well tried Belling-Lee O-Z contact.



A range of single pole connectors similar in style to the 3 mm range (page 3), offering a wider selection of plugs and socket combinations. Both plugs employ the well proven Belling-Lee O-Z contact method.

| | |
|------------------------------|---|
| Current rating: | 10 A (temperature rise $\leq 10^\circ\text{C}$) |
| Contact resistance: | ≤ 2 milliohms |
| Insulation resistance: | $\geq 10^3$ megohms |
| Voltage breakdown (sockets): | ≥ 5 kVd.c. |
| Temperature range: | -55°C to $+85^\circ\text{C}$ (ambient) (L1716A $+70^\circ\text{C}$) |
| Conductor size (maximum): | L378A/4 56/0,3 mm L1716A 32/0,2 mm |
| Panel thickness (maximum): | L1413 4,8 mm L1318 7 mm E6013 7 mm |
| Fixing torque (sockets): | 0,565 Nm to 0,424 Nm |
| Materials: | Contact body, brass, silver-plated Contact leaf, phosphor bronze, silver-plated |
| Insulant: | L1716A PVC, remainder polypropylene |
| Colours: L1716A & L378A/4 | Black, blue, green, red, white, yellow |
| E6013 | Black, red |
| L1413 | Blue, white, yellow, green, red and black |
| L1318 | Blue, green, yellow and white, |

L378A/4 Clamp or solder



Ordering reference: L378A/4/Colour

X-ON Electronics

Largest Supplier of Electrical and Electronic Components

Click to view similar products for [Test Sockets](#) category:

Click to view products by [Belling Lee](#) manufacturer:

Other Similar products are found below :

[AXS-5032-04-02](#) [AXS-3225-04-06](#) [AXS-7050-04-12](#) [5662](#) [BP30-10-B](#) [BP30GNN-1 PKG](#) [BP30-10Y-1 PKG](#) [AXS-7050-04-01](#) [AXS-5032-04-06](#) [AXS-2520-04-01](#) [AXS-5032-04-04](#) [930308101](#) [931714101](#) [15.0084-21](#) [563-0500](#) [20.1020-21](#) [20-313137](#) [20-313139](#) [20-313144](#) [20-313140](#) [20-313143](#) [22.1042](#) [+ 22.2370-22](#) [23.1010-23, 24, 25, 26, 27](#) [24.0160-1+25.0035](#) [24.0160-4+25.0035](#) [24.116-22](#) [5281](#) [5279](#) [450-3704-01-06-00](#) [AXS-3225-04-04](#) [AXS-3225-04-10](#) [AXS-7550-06-03](#) [AXS-7550-06-05](#) [269RB](#) [2713BB](#) [BP30BN-1 PKG](#) [BP30RN-1 PKG](#) [571-0200](#) [450-3422-01-06-00](#) [450-3888-01-04-00](#) [BP30GP10](#) [571-0400](#) [571-0600](#) [66.9131-23](#) [66.9427-22](#) [BP21-2BRN-B PKG](#) [930058104](#) [930103102](#) [930103188](#) [930103700](#)